



Note 1

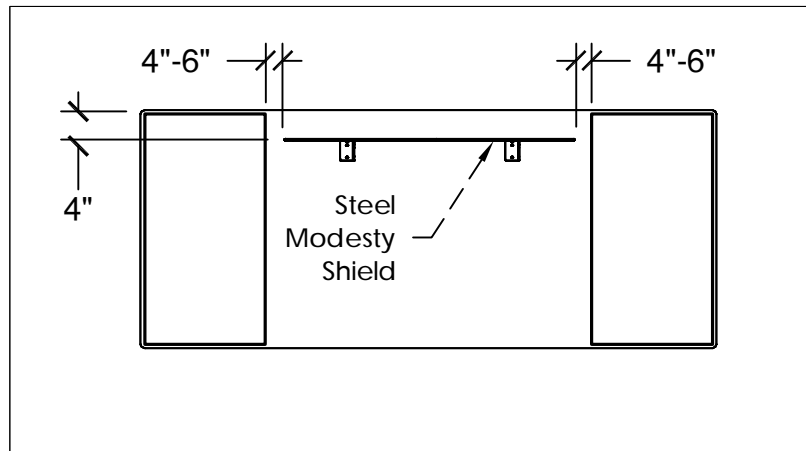
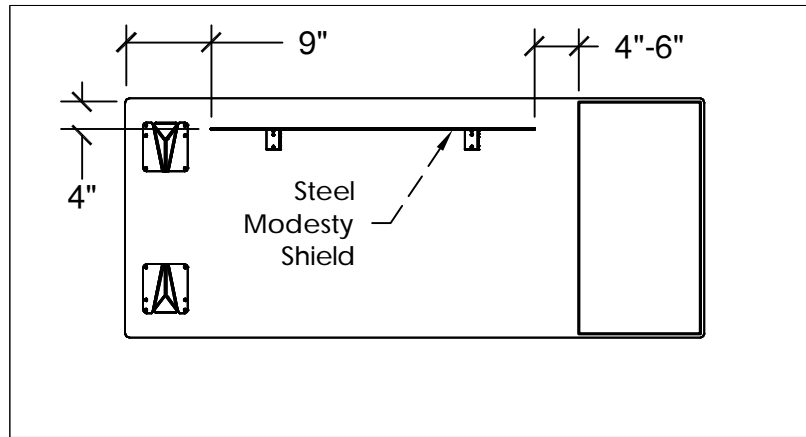
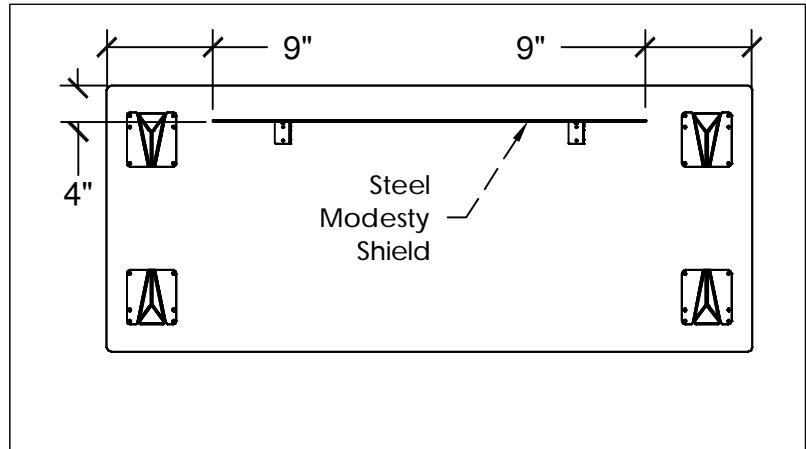
Before installing Steel Modesty Shield, please follow the positioning guidelines on this page.

Note 2

Center Modesty Shield left to right in available opening. Opening size will vary depending on size of worksurface and leg/pedestal configuration.

Note 3

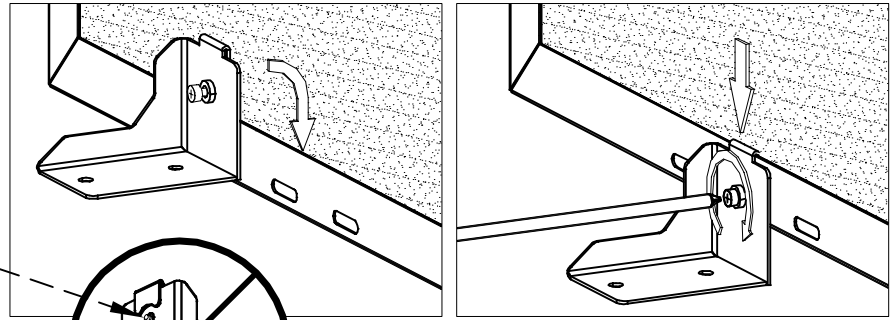
Desks are not pre-drilled with pilot holes for mounting Steel Modesty Shields.





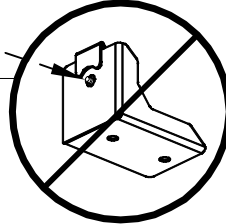
Step 1

Align bracket with one of the three slots on hem of Modesty Shield. Slide bracket hook under hem on Steel Modesty Shield. Use set screw to secure bracket to shield.



Note

Make sure set screw on bracket does not protrude beyond bracket face before installing the bracket.

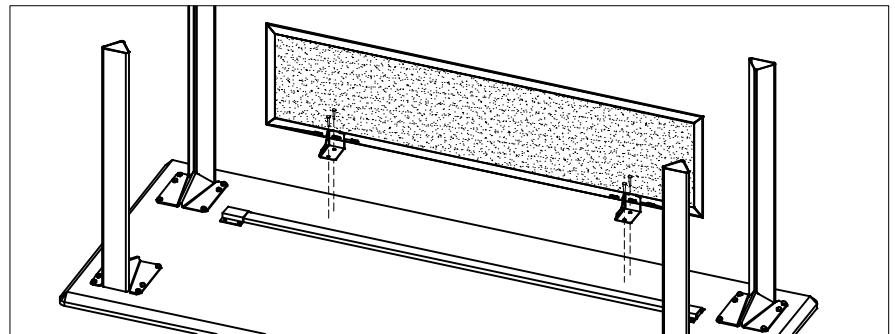


Primary Assembly Method

Use when desk is upside down.

Step 2

Place brackets and shield in final location according to Page 1. Secure brackets to desk using included #10 x 3/4" wood screws (FIG-1).

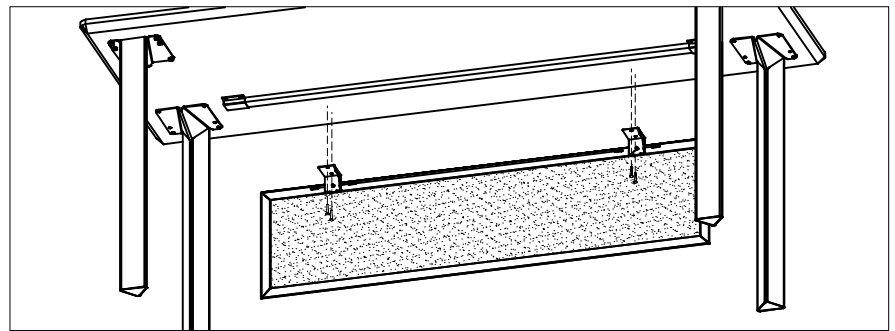


Alternate Assembly Method

Use when desk is upright.

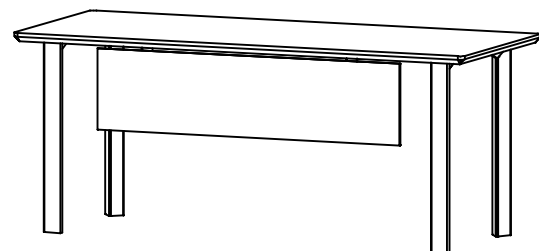
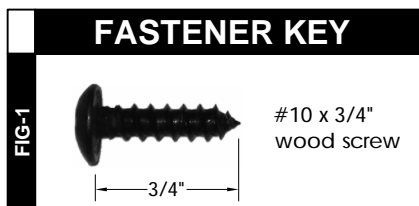
Step 2

Place Steel Modesty Shield under desk according to Page 1. Mark screw holes for brackets to avoid interference with grommet holes, support tubes, legs, etc. Remove brackets from Shield.



Step 3

Screw brackets to desk in marked locations using #10 x 3/4" wood screws (FIG-1). Attach Modesty Shield to brackets (see Step 1). Secure Shield with set screws.



Desk with Steel Modesty Shield attached.