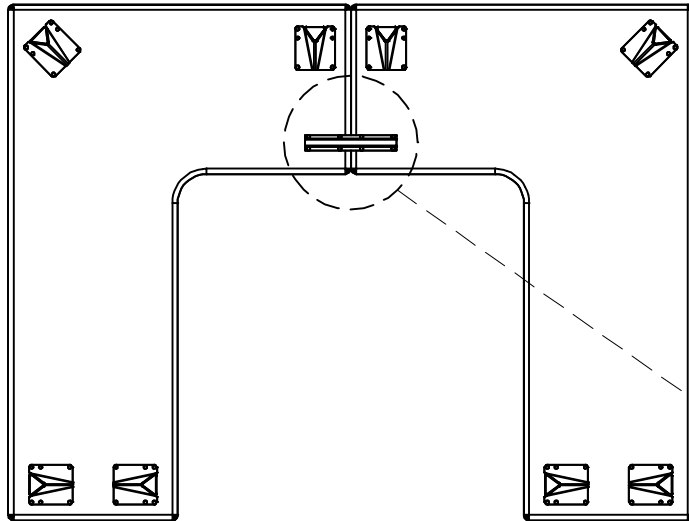




Bottom View of Desks



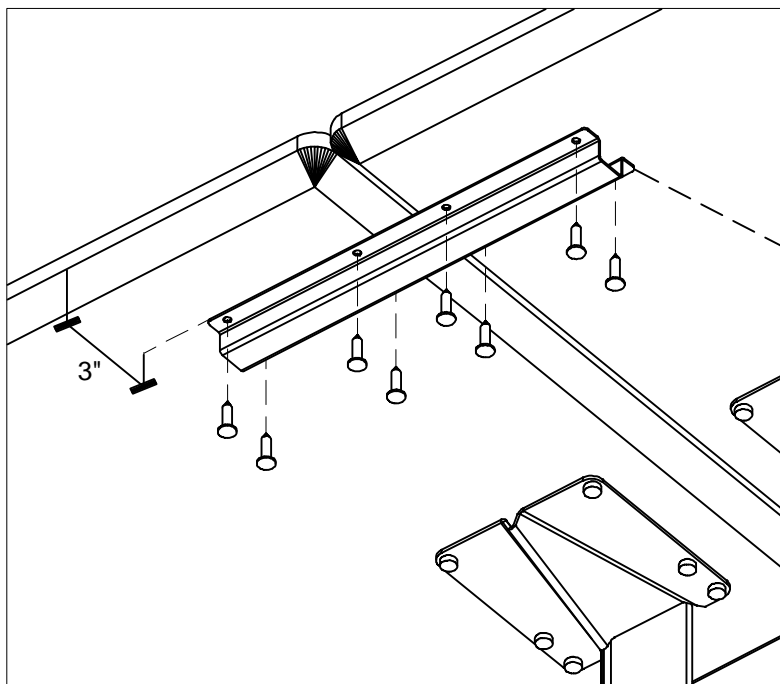
**Note**

Use Connecting Plate when connecting and leveling adjoining desk surfaces.

**Caution**

Detach Connecting Plate when moving desks.

Connecting Plate - M2CPLTE



**Step 1**

Assemble desks as per desk assembly instructions. Place next to one another and level.

**Step 2**

Position Connecting Plate 3" minimum from edge of table. Attach to both desks using eight #10 x 3/4" wood screws (FIG-1).

