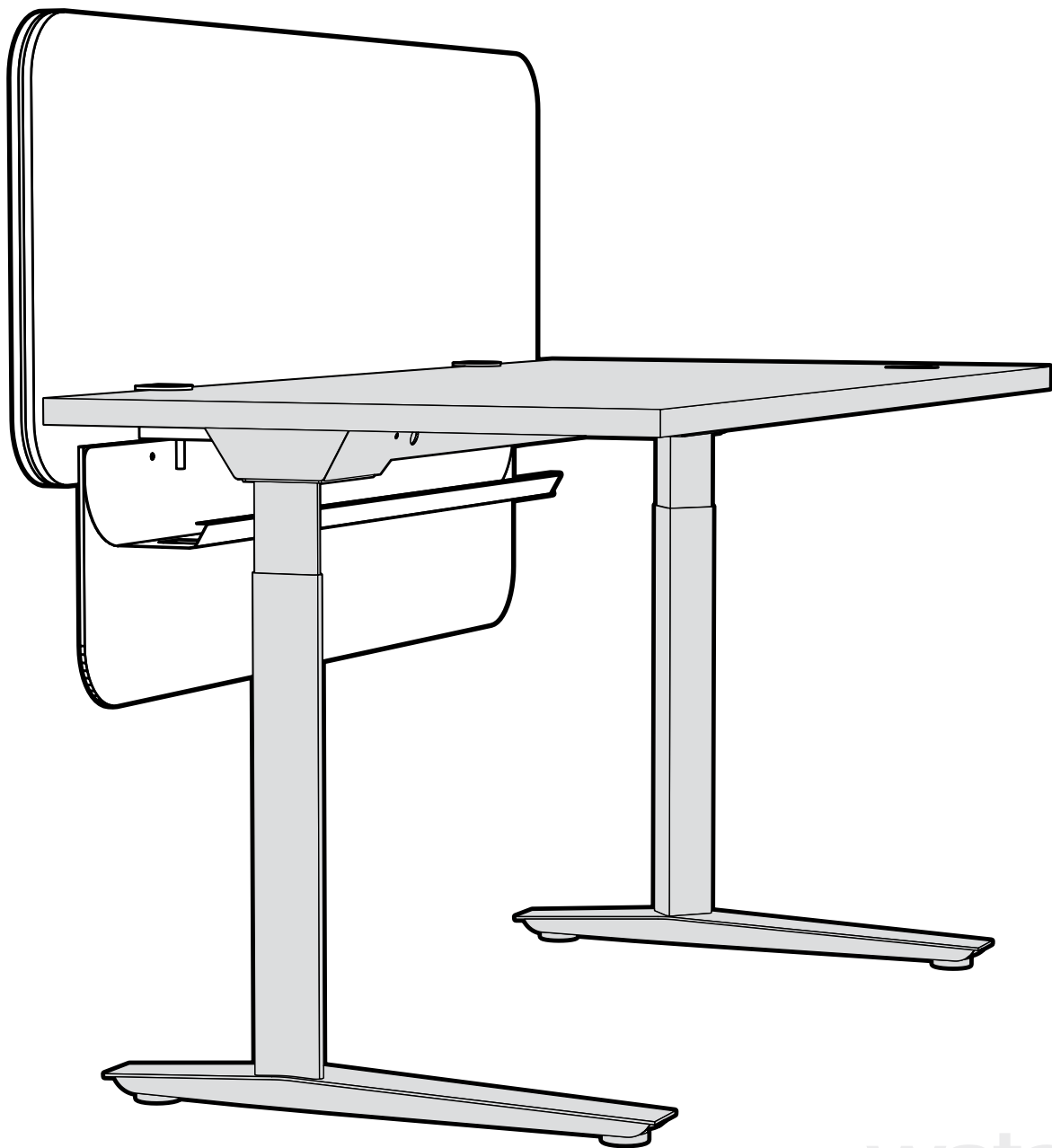


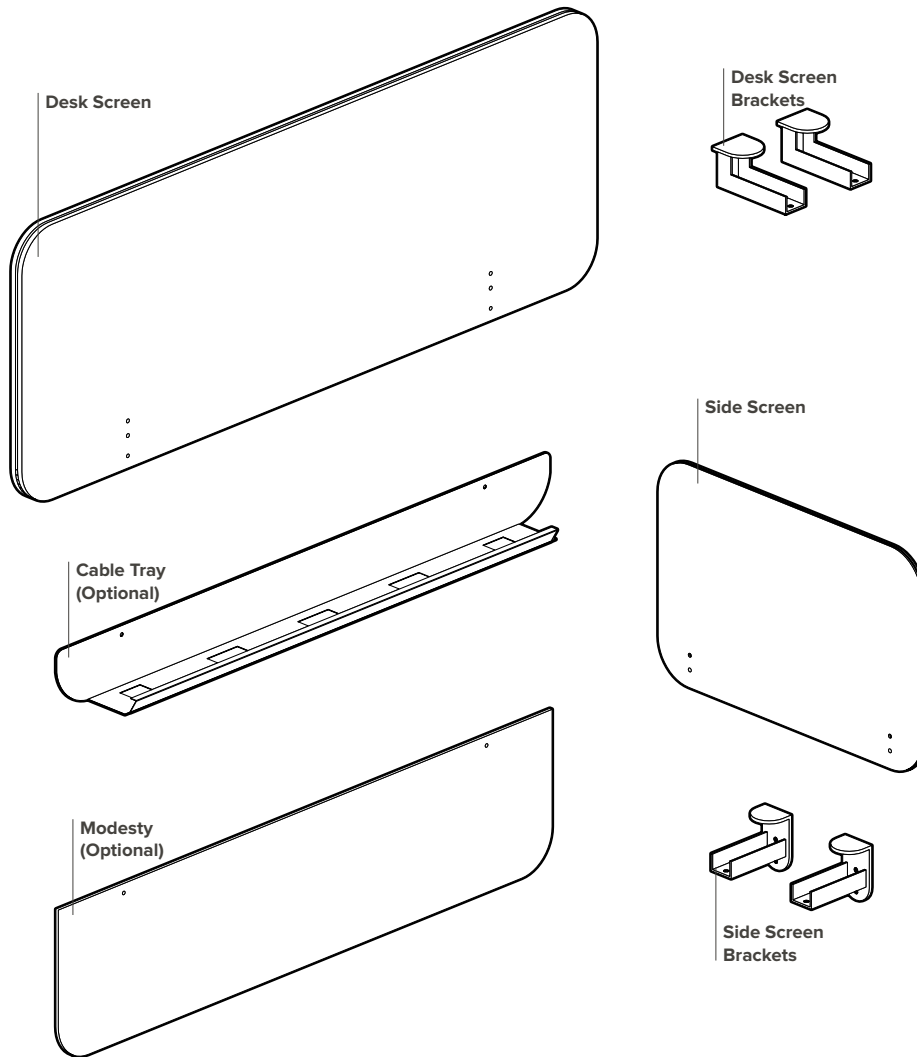
# BAHN

---

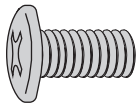
## DESK MOUNT SCREEN ASSEMBLY INSTRUCTIONS



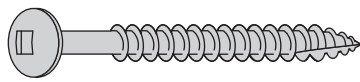
# DESK-MOUNT SCREEN BASIC COMPONENTS



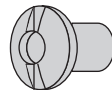
## FASTENERS



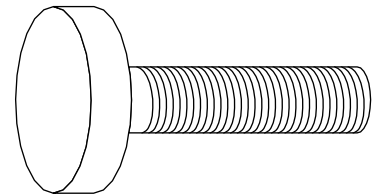
1/4-20x1/2" Pan Head Screw (126666)



#8x1 1/4" Square Drive Wood Screw (0000238)



1/4-20x1/2" Binding Post (0000292)

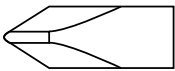


1"x1/4" Glide (0000229)

## TOOLS



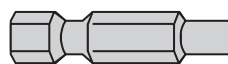
#2 Phillips



Flathead



#2 Square



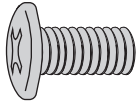
**watson**

26246 Twelve Trees Lane NW, Poulsbo, Washington 98370  
 800.426.1202 [watsonfurniture.com](http://watsonfurniture.com) [info@watsonfg.com](mailto:info@watsonfg.com)

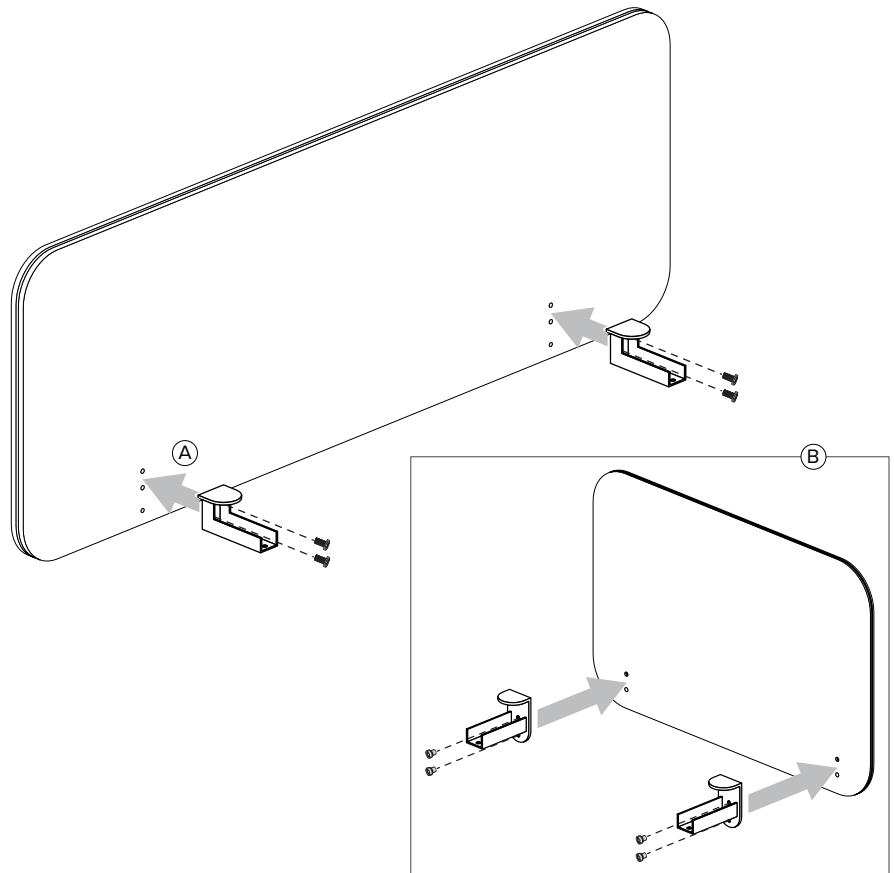
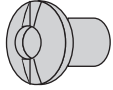
1.

### Screen Brackets

Ⓐ Attach brackets to Center Screen with 1/4-20x1/2" screw (x4).



Ⓑ For Side Screens, use #10-32x3/8" screws (x4).



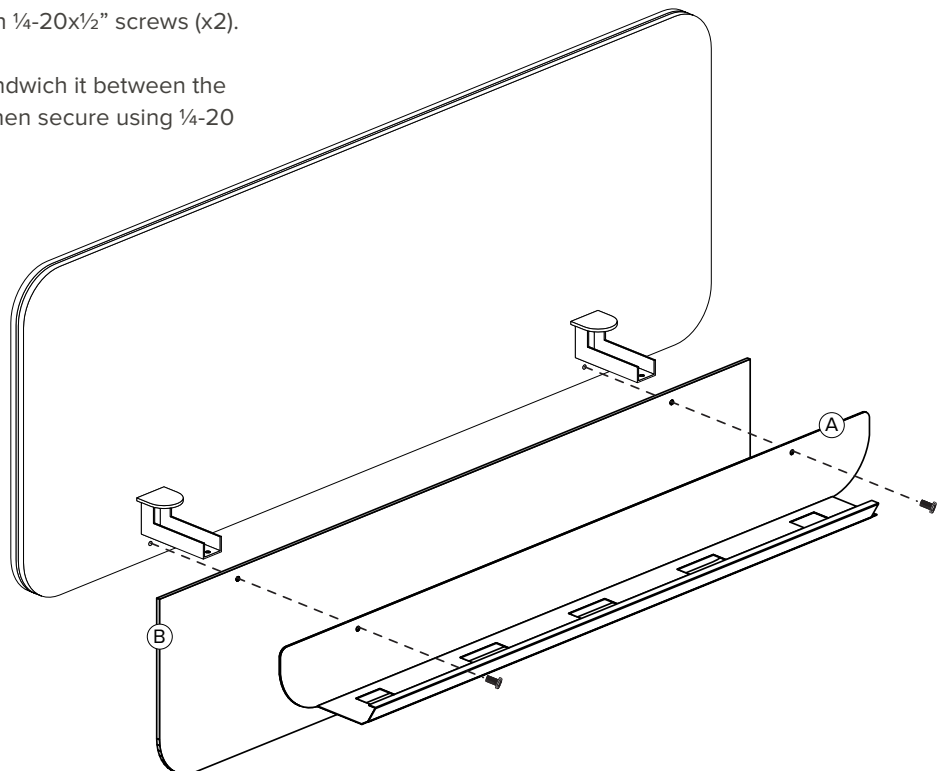
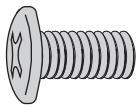
2.

### Cable Channel and Modesty

(Optional)

Ⓐ Attach Cable Channel with 1/4-20x1/2" screws (x2).

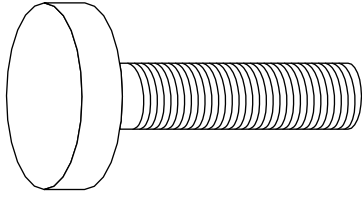
Ⓑ If Modesty is selected, sandwich it between the Cable Channel and Screen then secure using 1/4-20 x 1/2" screws (x2).



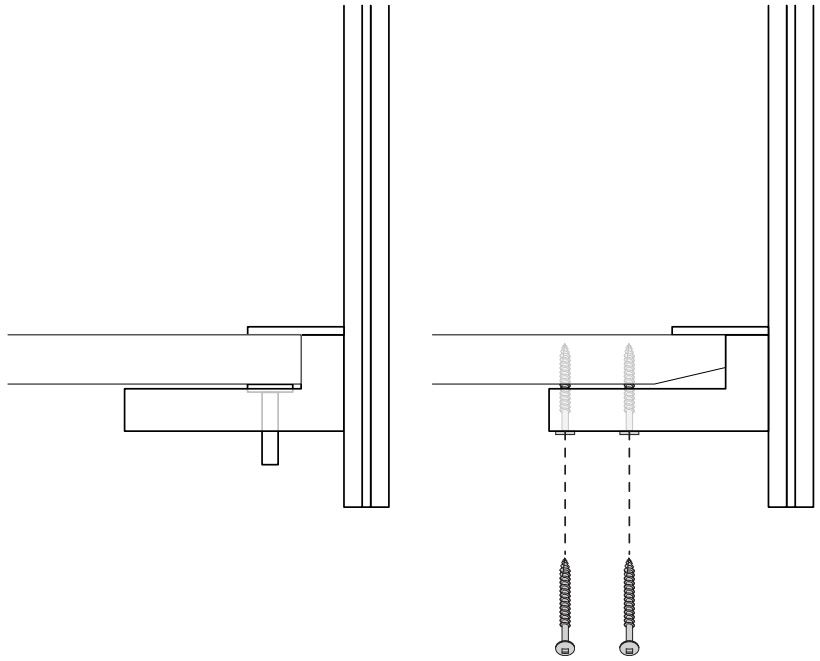
### 3.

#### Worksurface Attachment

Ⓐ For standard flat edge profiles, secure with the pressure glide.



Ⓑ For profiled edges, use the #8x1¾" wood screws (x4).



**Note** — Worksurface thickness 1-¼" maximum

**Note** — Check clearance before securing. This includes running the full range of adjustment for height-adjustable surfaces.

**Note** — The glide must be attached to the bracket after the bracket is attached to the screen.