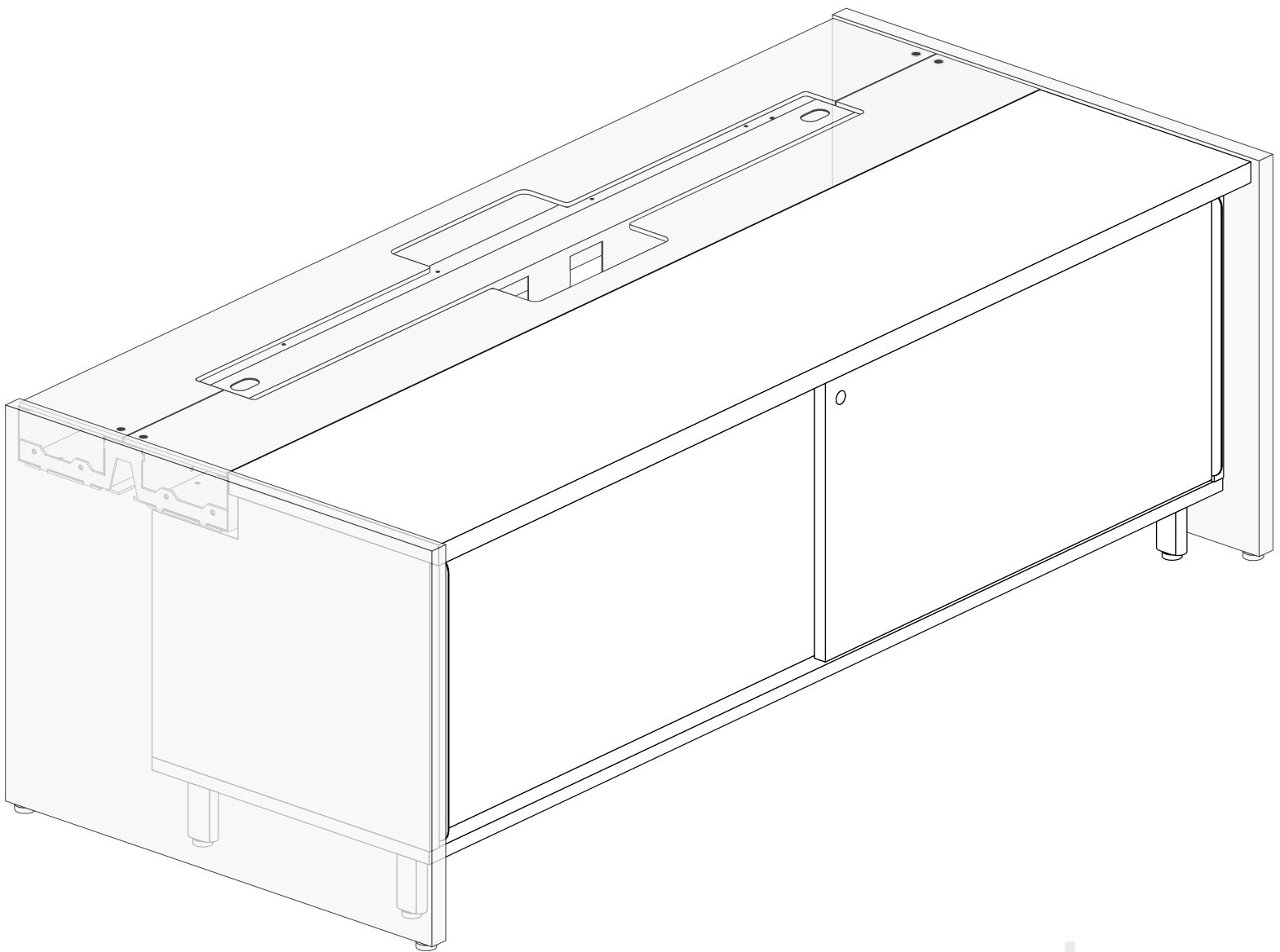
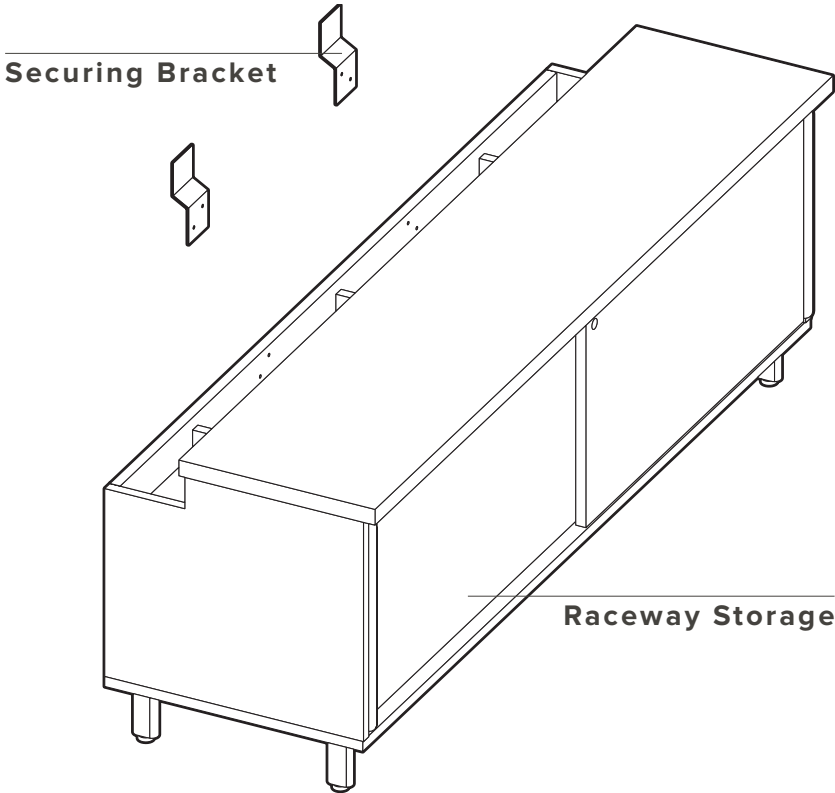


BAHN

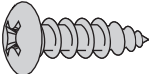
RACEWAY STORAGE ASSEMBLY INSTRUCTIONS



RACEWAY STORAGE TYPICAL

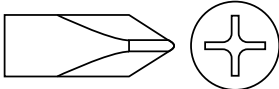


FASTENERS



#10x5/8" Phillips Pan Head
Wood Screw (122800)

TOOL TIPS

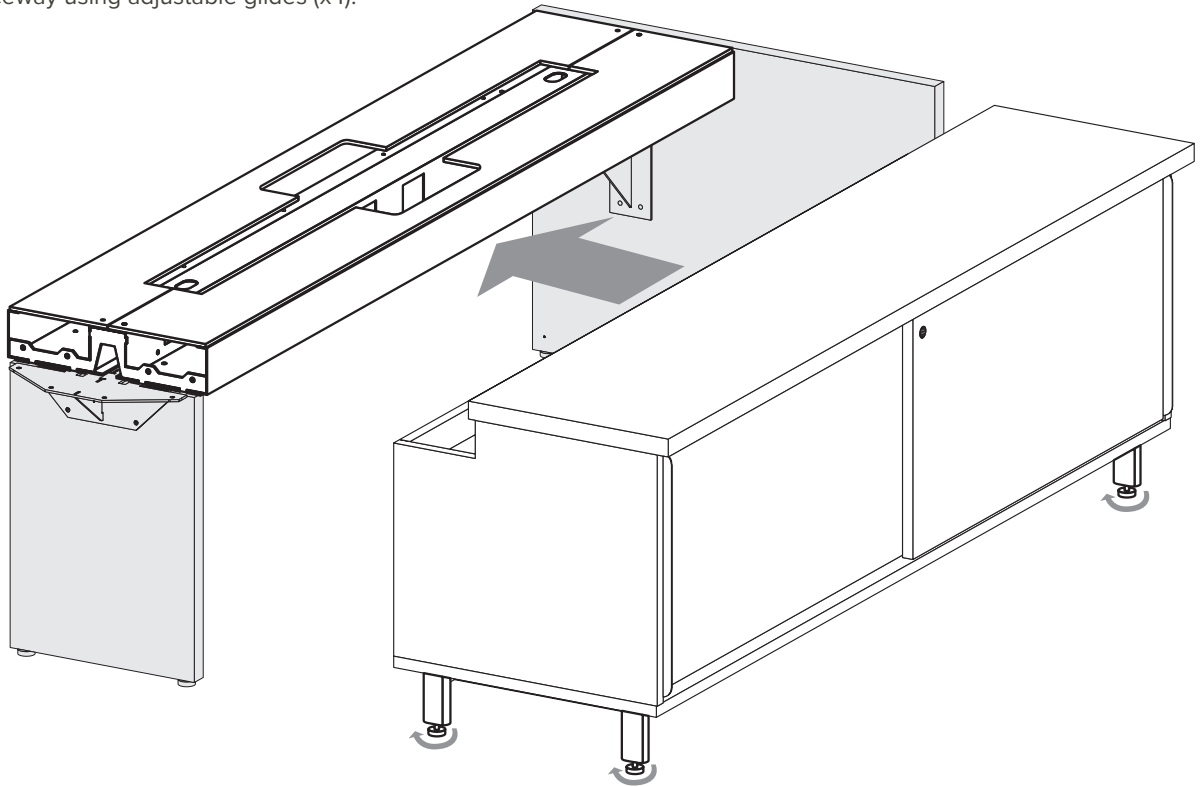


FF2 Phillips

1.

Position + Level

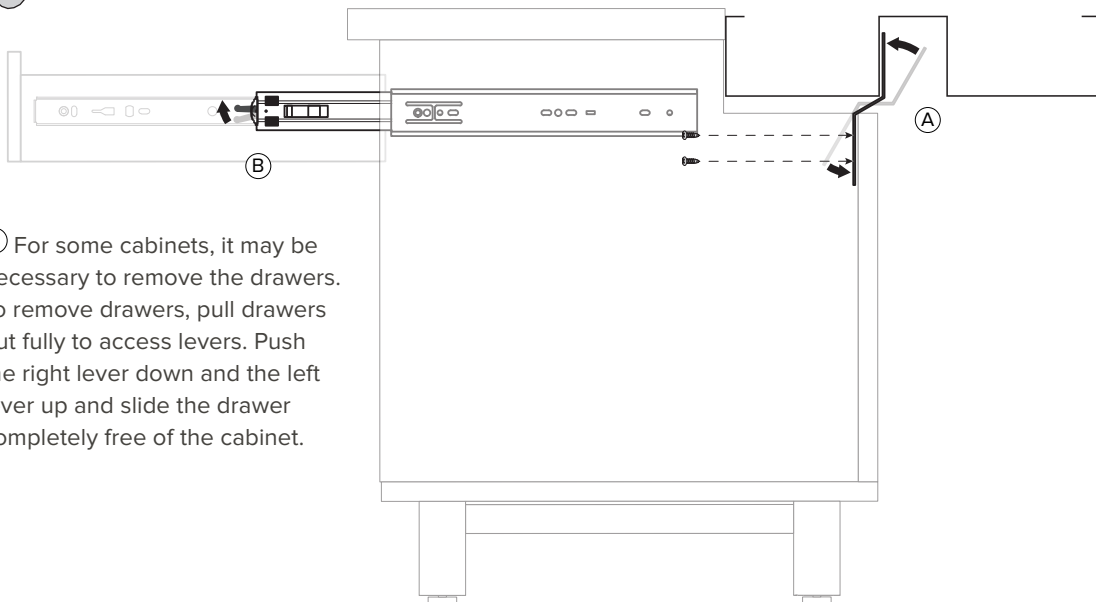
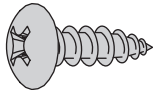
Place the cabinet and bring it flush to the Power Raceway using adjustable glides (x4).



2.

Brackets

Ⓐ Insert two brackets between the Raceway and the back panel of the cabinet. Rotate the bracket down and secure with #10x5/8" screws (x2 per bracket).



Ⓑ For some cabinets, it may be necessary to remove the drawers. To remove drawers, pull drawers out fully to access levers. Push the right lever down and the left lever up and slide the drawer completely free of the cabinet.