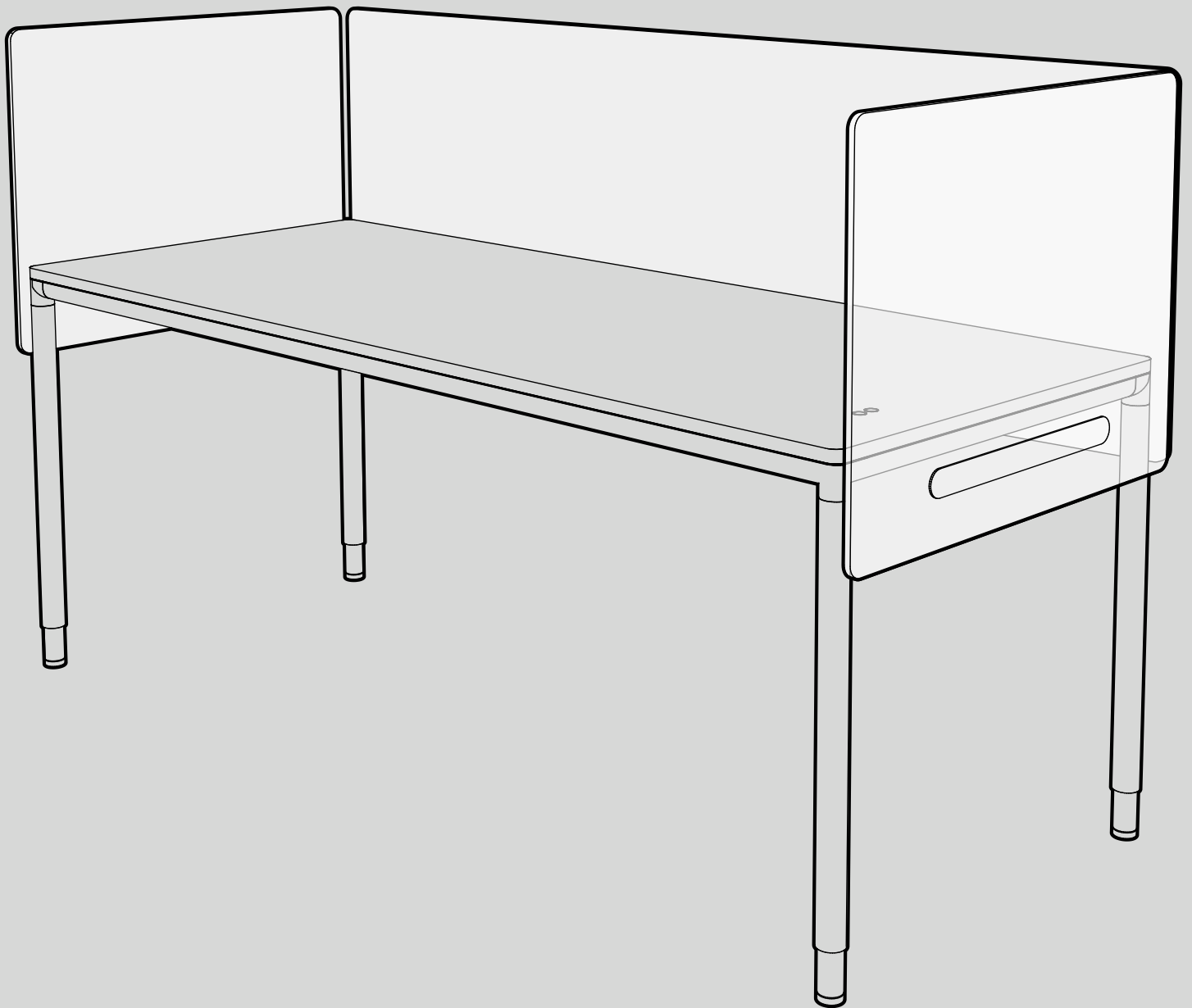
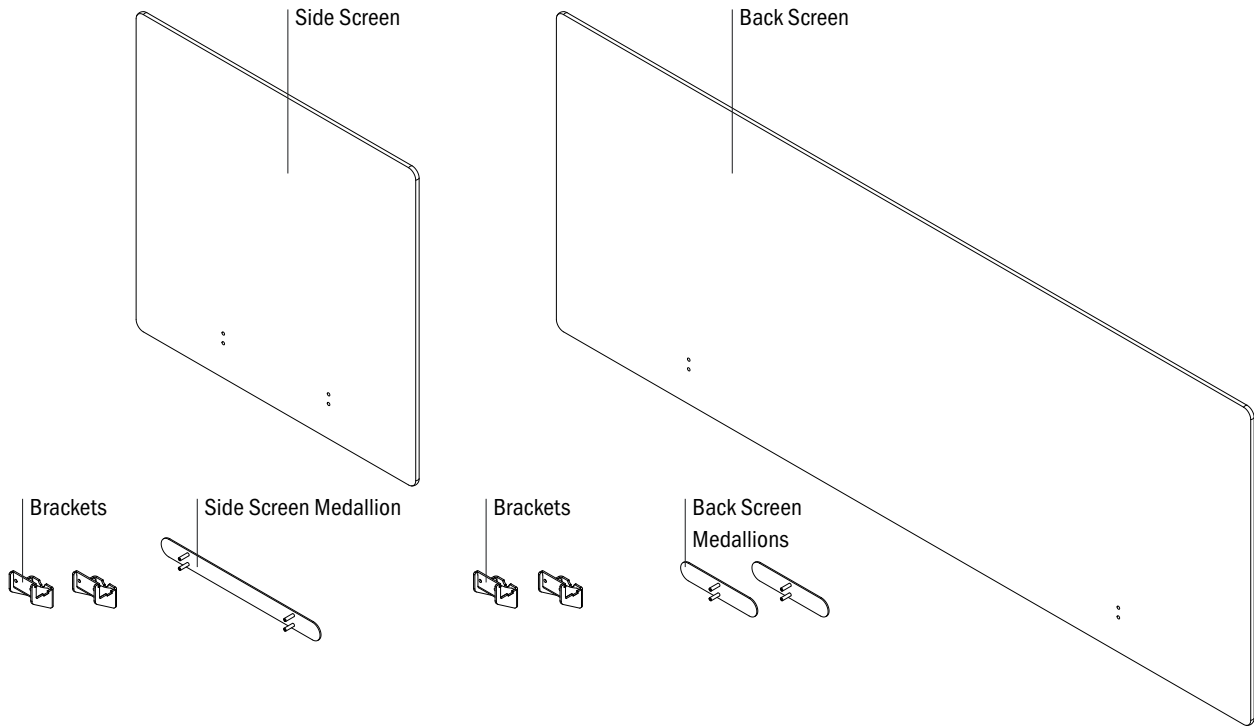


ASSEMBLY

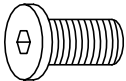
C9 Acrylic Desk Screen



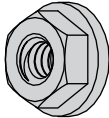
C9 Acrylic Desk Screen Basic Components



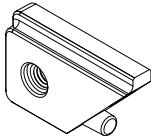
Hardware



M6-1.0x12mm Low Profile Cap Screw (0001140)



1/4-20 Flange Nut, Zinc (090770)



C9T-RAL-KIT Rail Attachment (0001120)

Tools



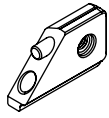
3mm Hex Wrench



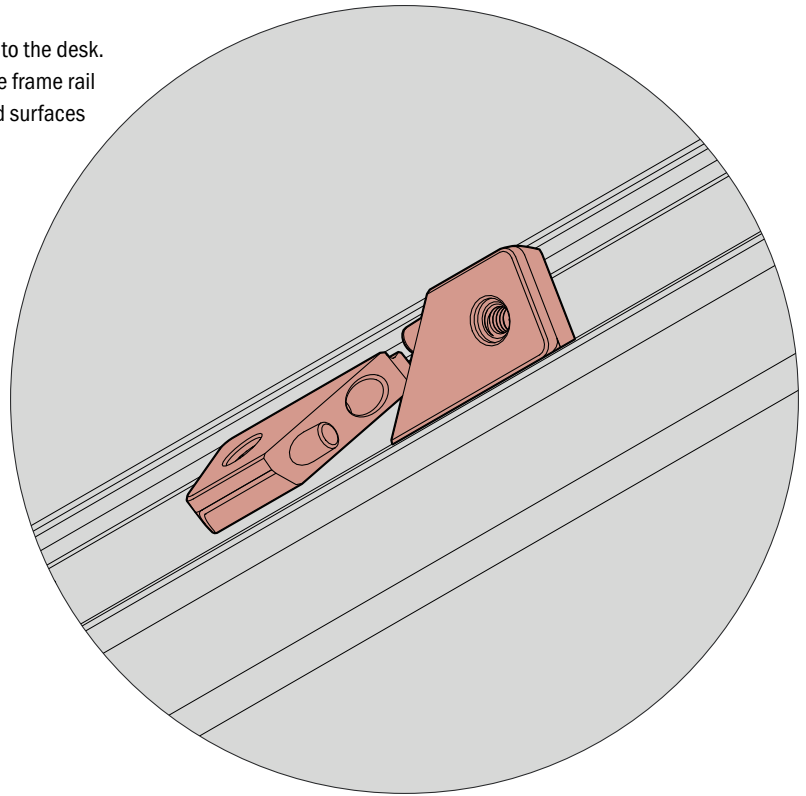
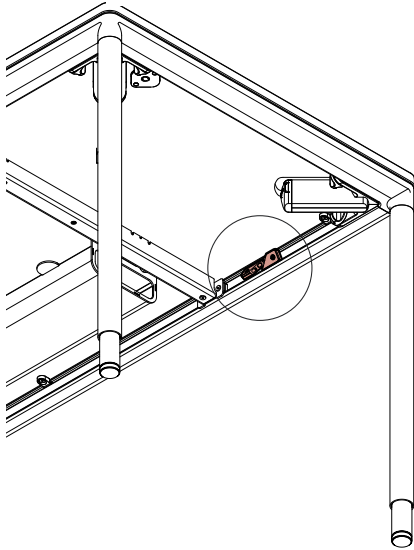
7/16' Wrench

1. Position Rail Nuts

Note the location of the screen brackets in relation to the desk. Rotate the rail nuts (0001120) into place inside the frame rail channel. Firmly push them together until the angled surfaces are touching. Place two sets of rail nuts per screen.

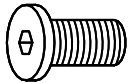


Rail Nut (0001120)

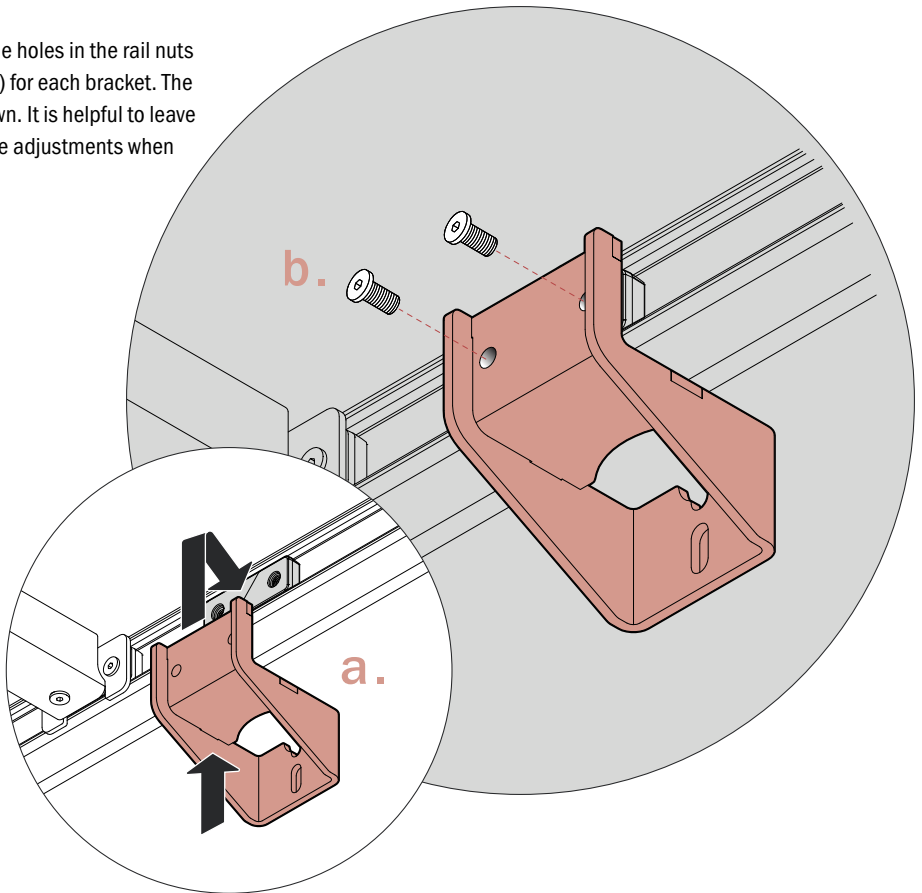
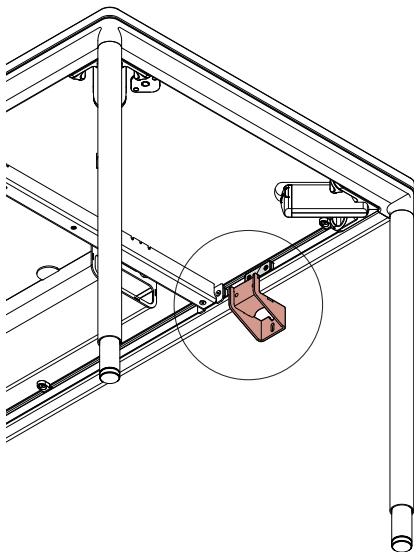


2. Attach Screen Bracket

Align the desk screen brackets with the holes in the rail nuts and attach with (2) screws (0001140) for each bracket. The brackets should face outward as shown. It is helpful to leave the brackets a bit loose for side to side adjustments when mounting screen.

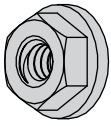


M6-1.0 x 12mm Low Profile Cap Screw (0001140)

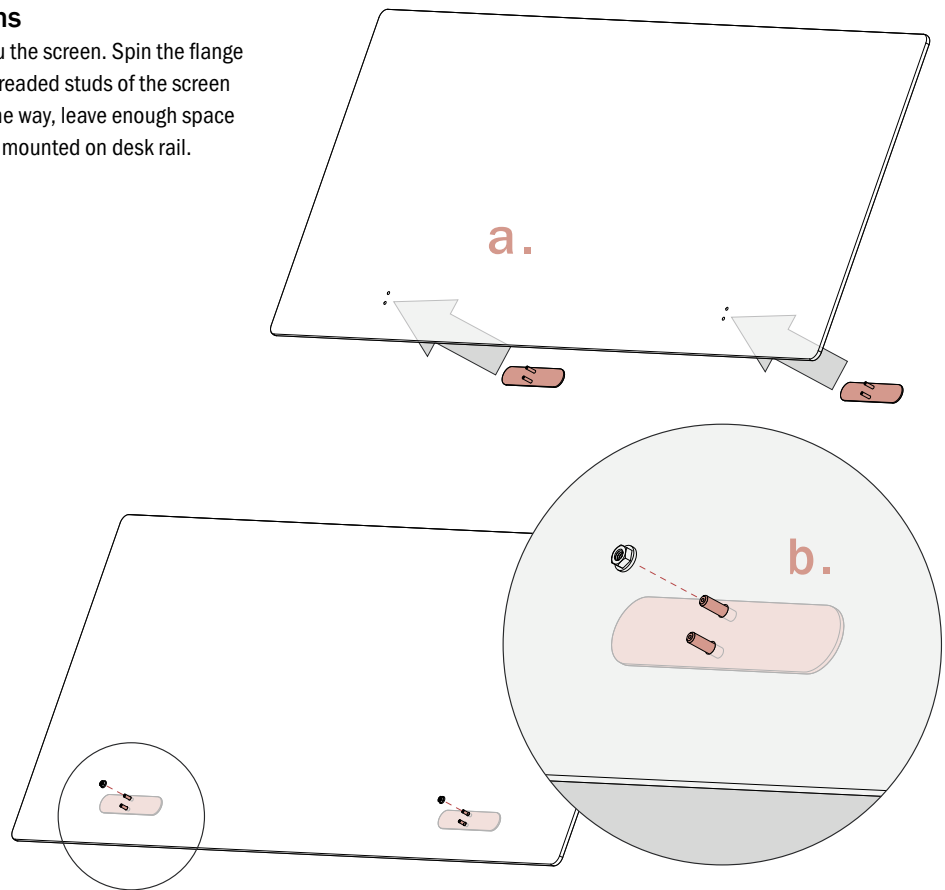


3. Attach Screen Medallions

Carefully place the medallions thru the screen. Spin the flange nuts (090770) onto both upper threaded studs of the screen medallions. Do not thread on all the way, leave enough space to set the screen into the brackets mounted on desk rail.



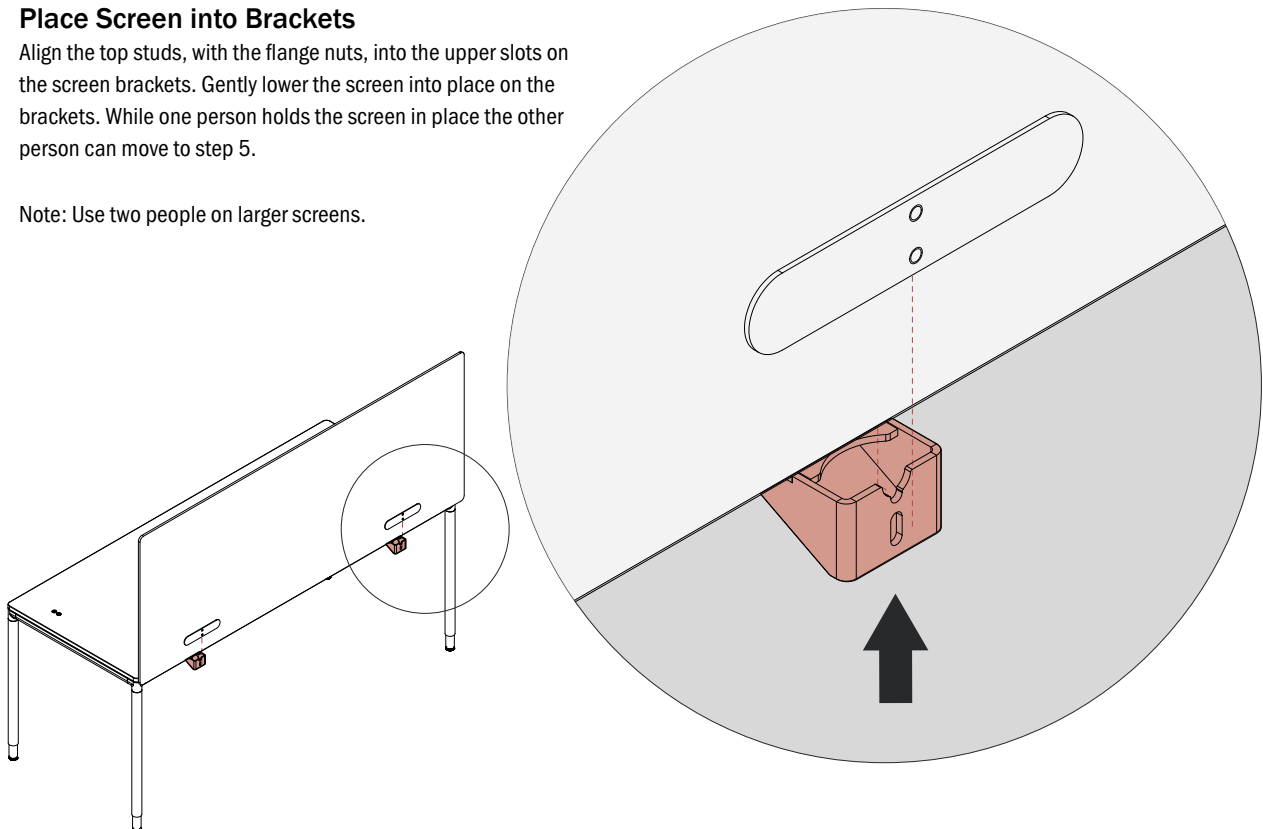
1/4-20 Flange Nut,
Zinc (090770)



4. Place Screen into Brackets

Align the top studs, with the flange nuts, into the upper slots on the screen brackets. Gently lower the screen into place on the brackets. While one person holds the screen in place the other person can move to step 5.

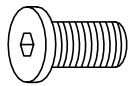
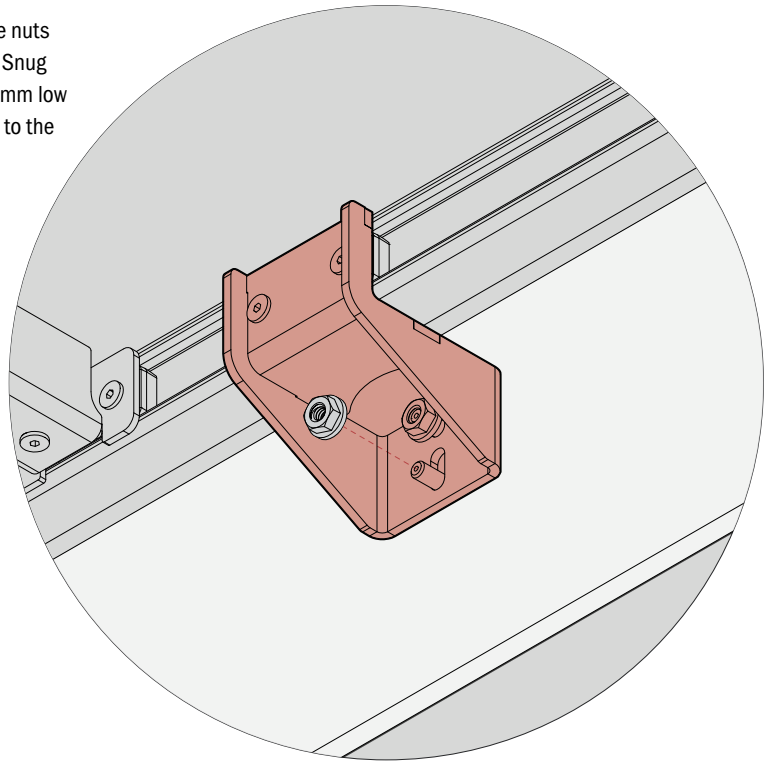
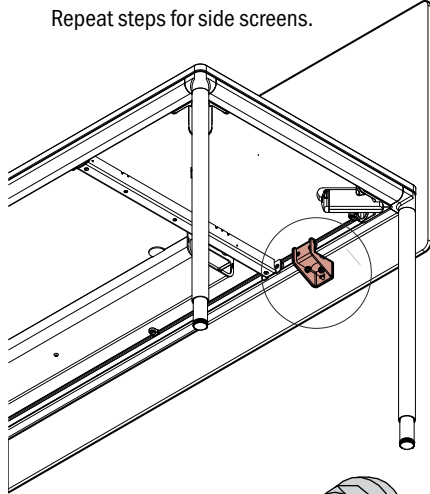
Note: Use two people on larger screens.



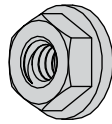
5. Secure Screen

Once the screen is in place, thread the remaining flange nuts onto the lower threaded studs of the screen medallion. Snug all flange nuts using a 7/16" wrench. Tighten up 6 x 12mm low profile screws (0001140) securing the screen brackets to the rail using 3mm hex wrench.

Repeat steps for side screens.



M6-1.0x12mm Low Profile
Cap Screw (0001140)



1/4-20 Flange Nut,
Zinc (090770)