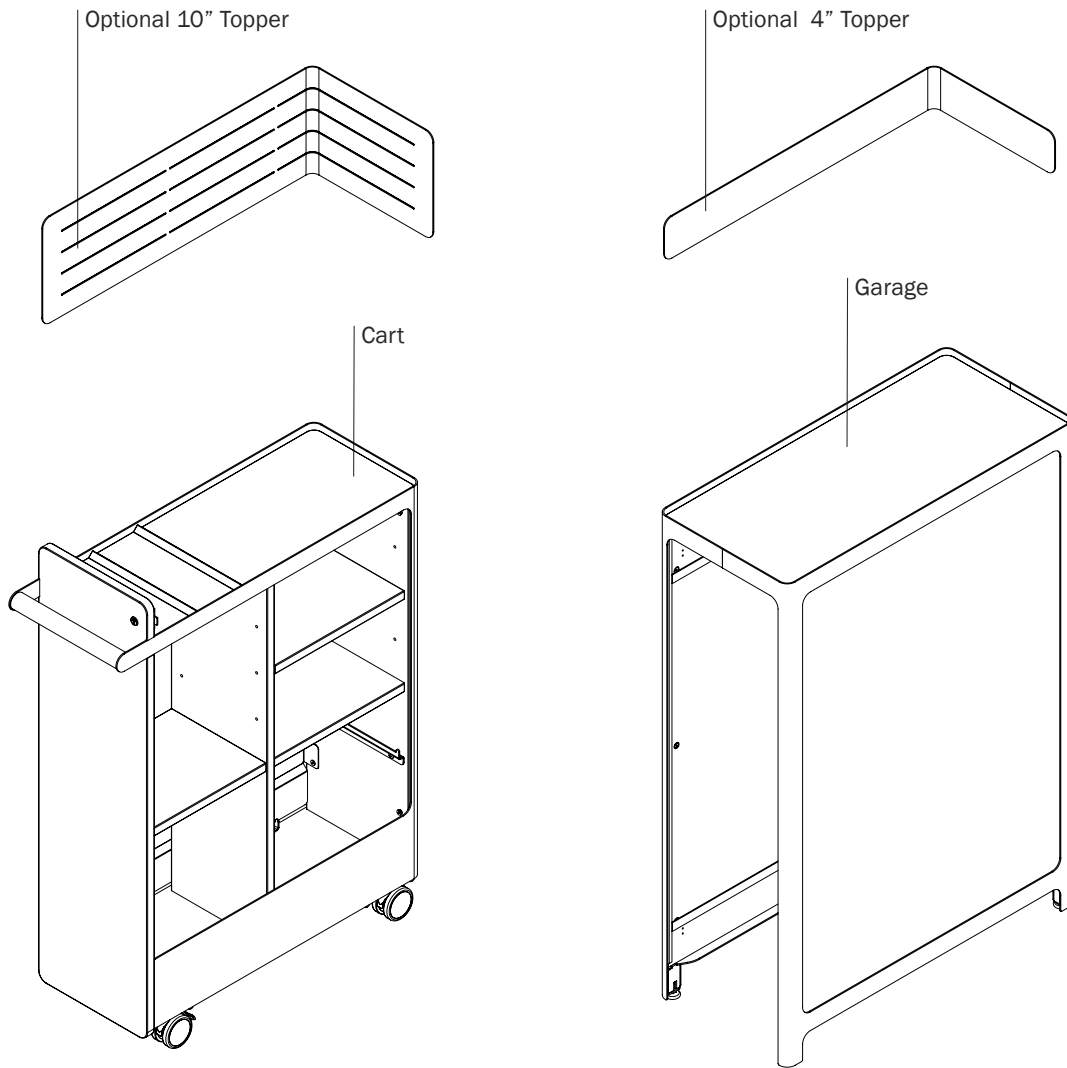


# ASSEMBLY

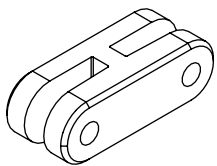
## C9™ Cart & Garage



# C9 Cart & Garage Basic Components



## Hardware (for Toppers only)



H-Clip  
(0001308/0001201)



Set Screw Cone M4-0.7x5mm  
(0001344)

## Tools

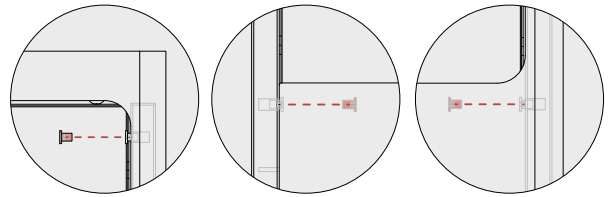
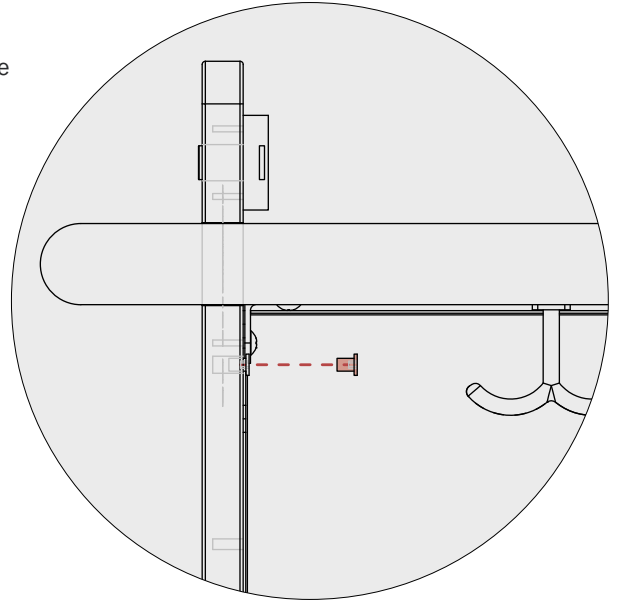
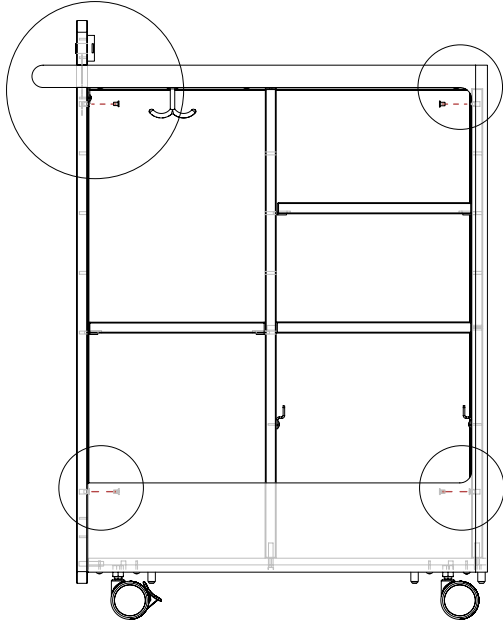


3mm Hex Key

# Reversing Cart Handedness

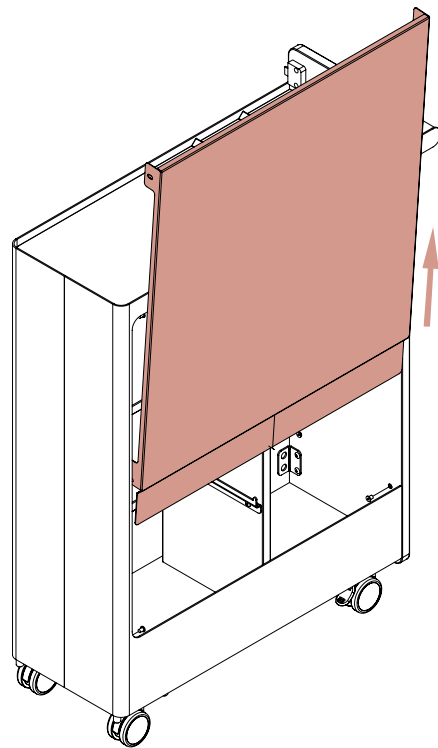
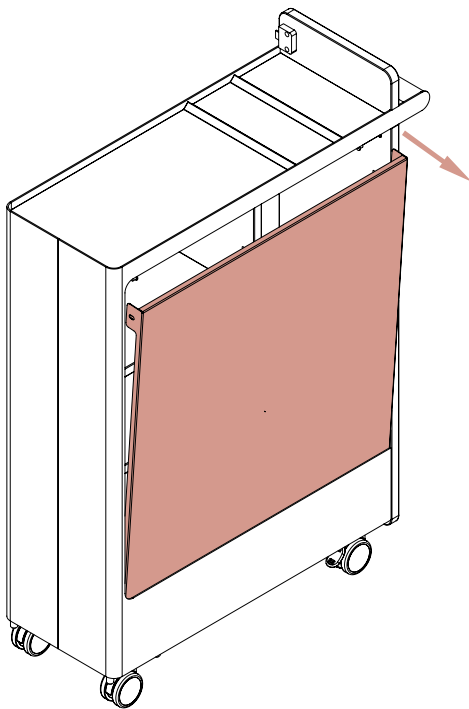
## 1. Detach Side-screen

The side-screen comes pre-installed per the handedness on the order. If reversing the hand is needed, remove the four M6 low profile screws that attach the screen, two at the top and two at the bottom of the screen, using a 3mm Hex Key and set aside.



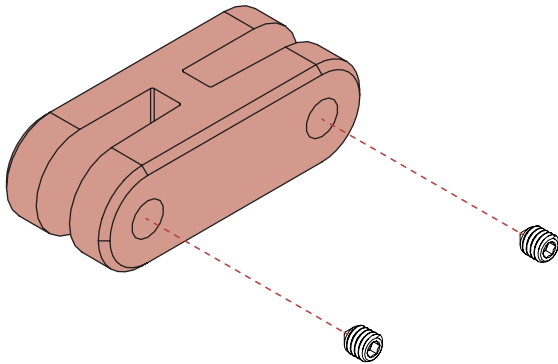
## 2. Removing Screen

Slide screen downward until the top corners are able to be pulled outwards. Then slide screen upwards and outwards from the cart, fully removing the screen. Follow these instructions in reverse on the other side of the unit, inserting the bottom tab into the unit, then pushing forward and in place. Reattach with the four M6 screws.

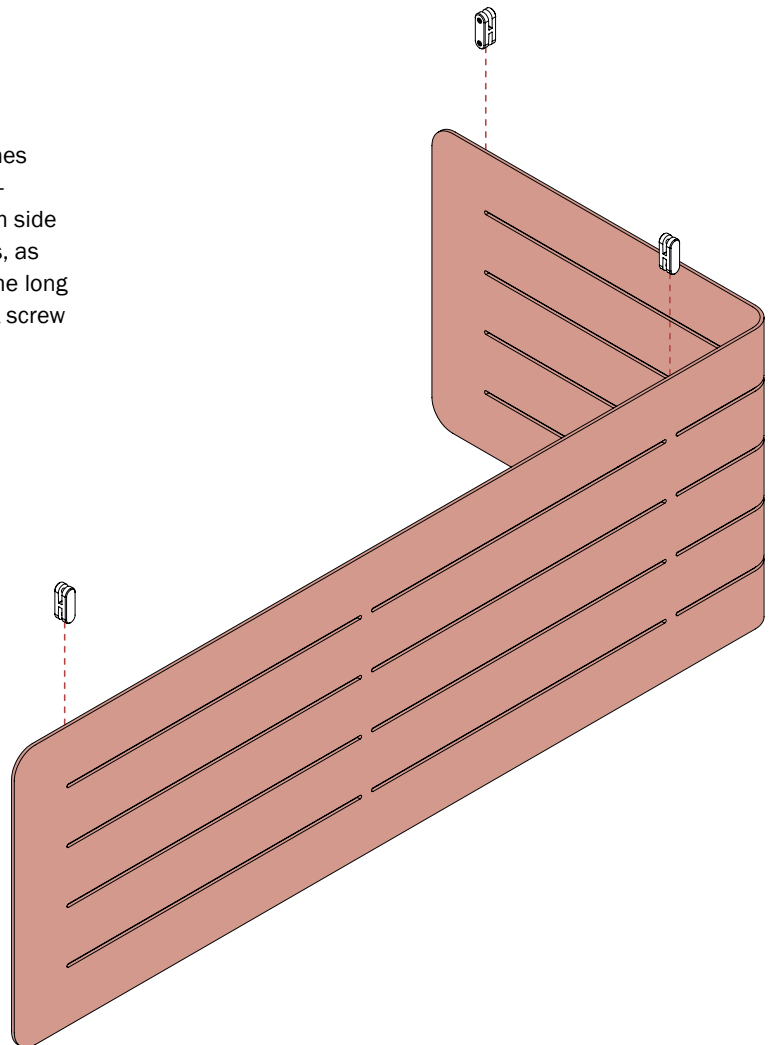


# Installing Optional Topper Accessory

- 1. Prepare Clips**  
Loosely insert two set screws into each H-Clip.



- 2. Place Clips on Topper**  
The handedness of the Cart & Garage determines which side to mount the Topper, shown is a left-handed assembly. Place the clips on the bottom side of the Topper, aligned with the ends of the slots, as shown. There should be two clips attached to the long side, and one on the short side. Tighten the set screw that clamps the H-Clip onto the Topper.



### 3. Place Topper onto Garage

Place the Topper assembly onto the Garage mounting the other side of the H-Clips onto the Garage Frame. The short side of the Topper should be inline with the back of the Garage, as shown. Tighten the set screw that clamps the H-Clip to the Garage frame.

