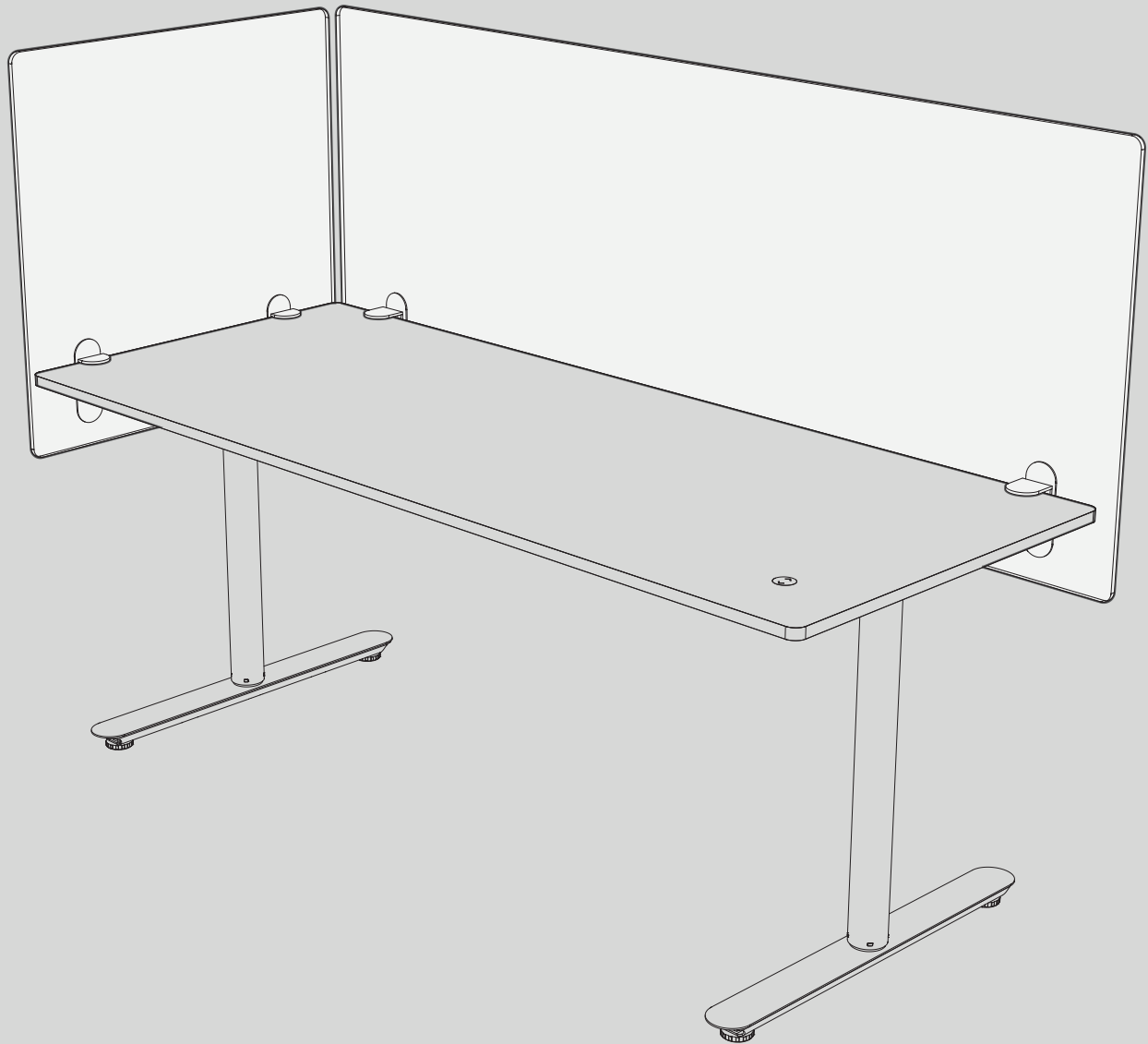
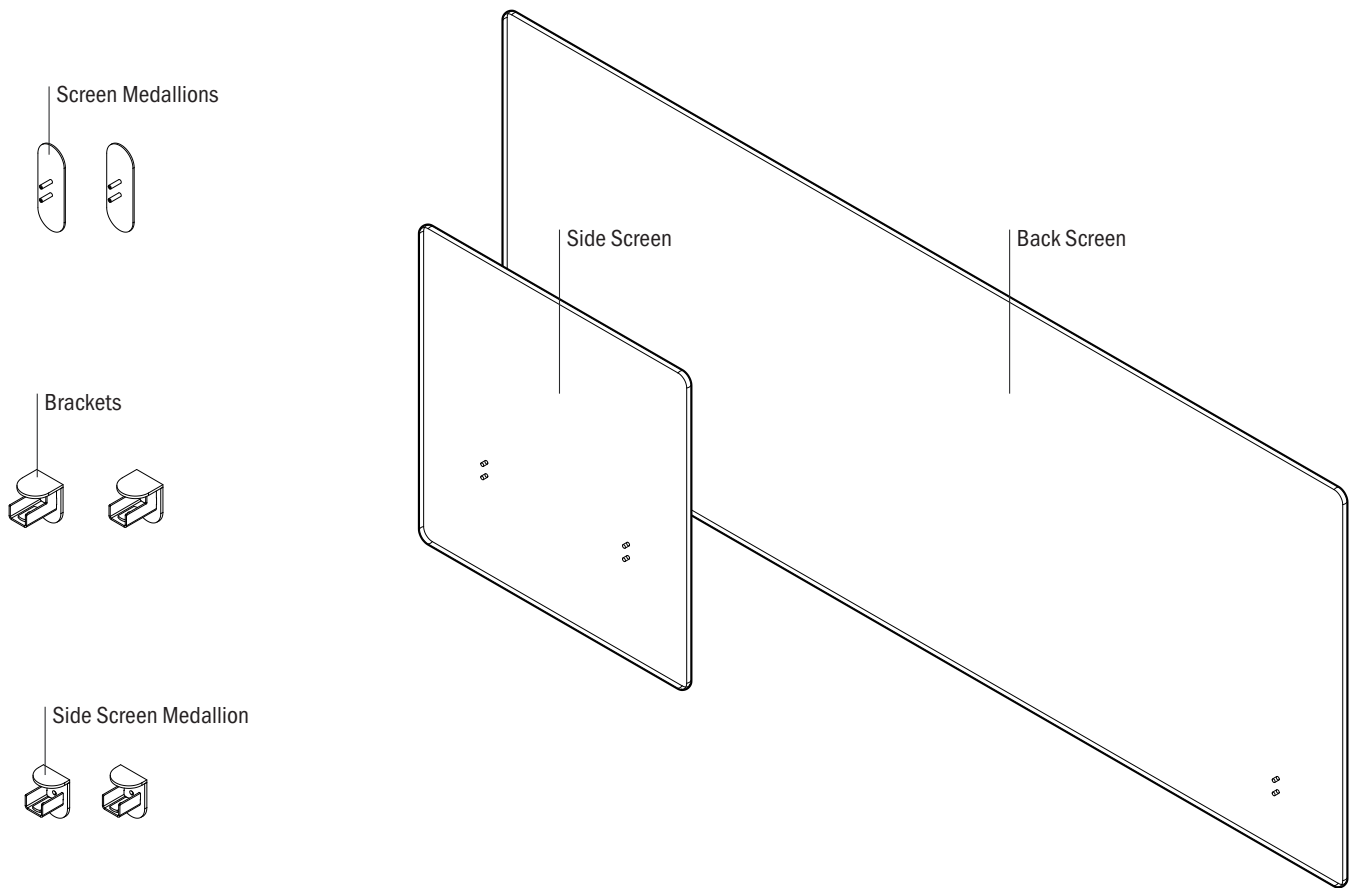


ASSEMBLY

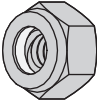
D9 Acrylic Screen



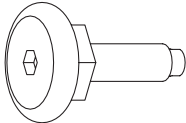
D9 Acrylic Screen Basic Components



Hardware



1/4-20 Lock Nut,
Zinc (090770)

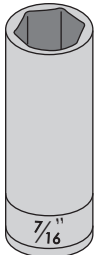


5/18-18x1 Clamping
Screw (0000229)

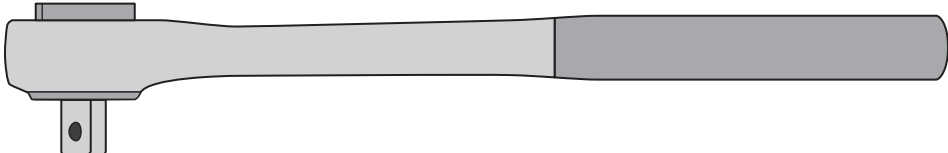
Tools



Flat Head Screwdriver

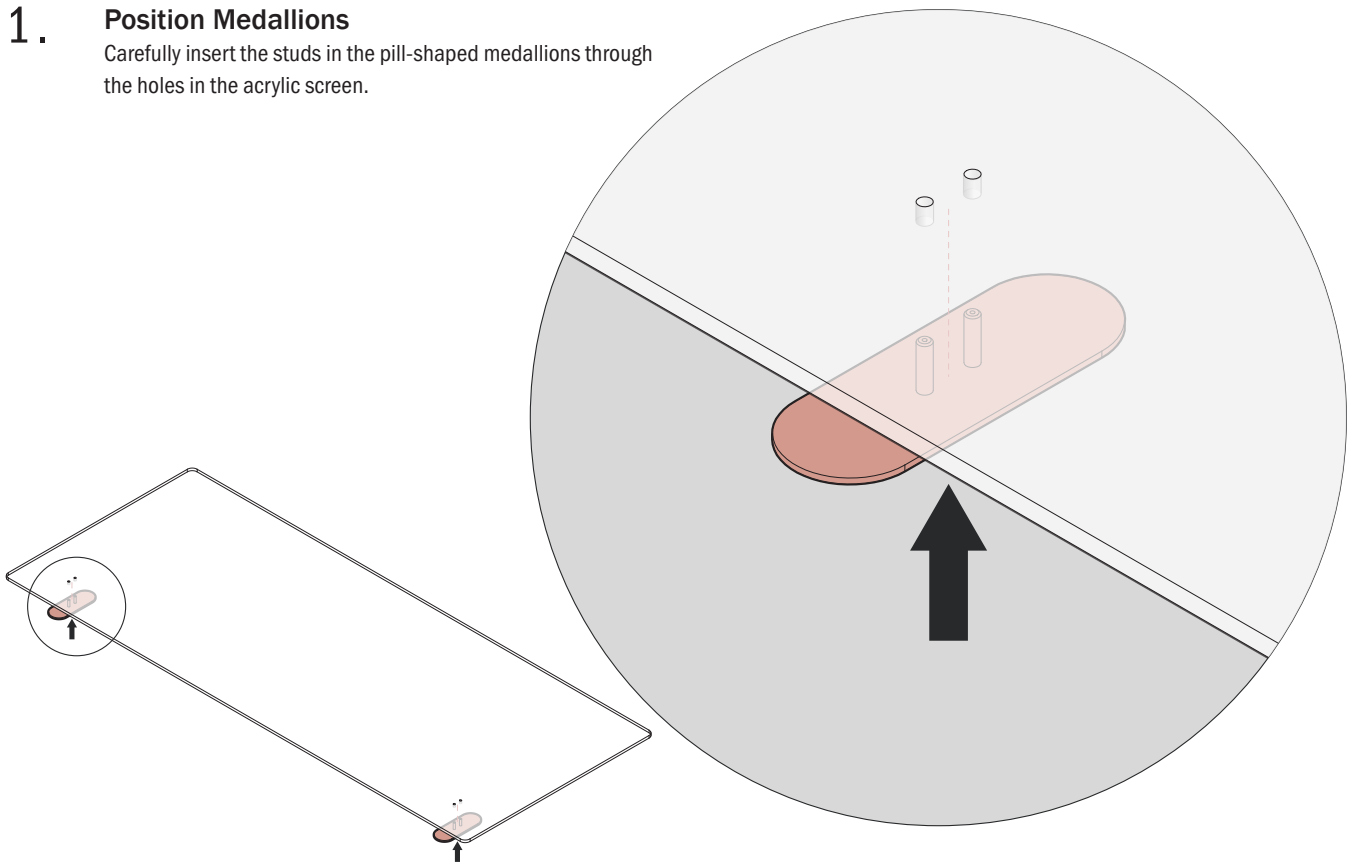


7/16" Socket with extension
or Wrench



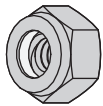
1. Position Medallions

Carefully insert the studs in the pill-shaped medallions through the holes in the acrylic screen.

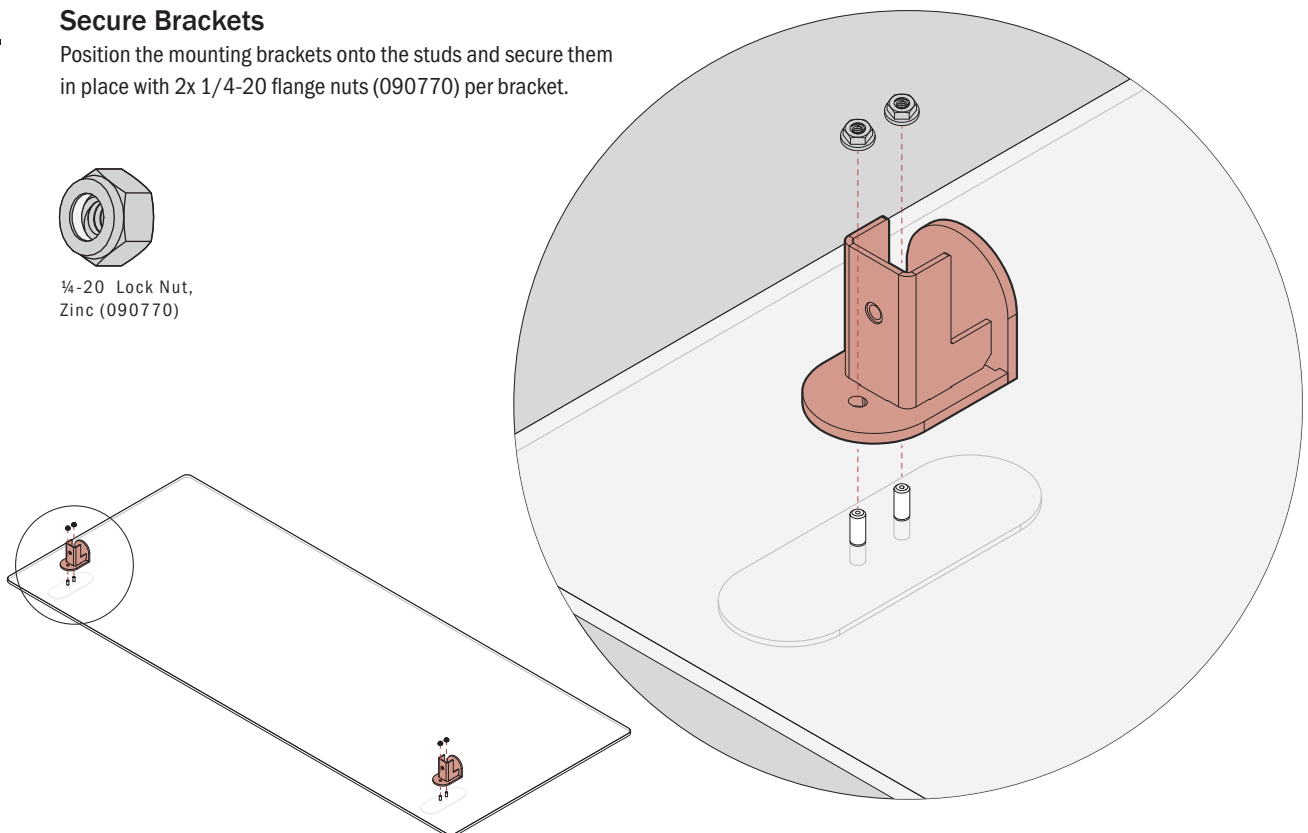


2. Secure Brackets

Position the mounting brackets onto the studs and secure them in place with 2x 1/4-20 flange nuts (090770) per bracket.



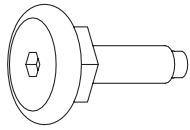
1/4-20 Lock Nut,
Zinc (090770)



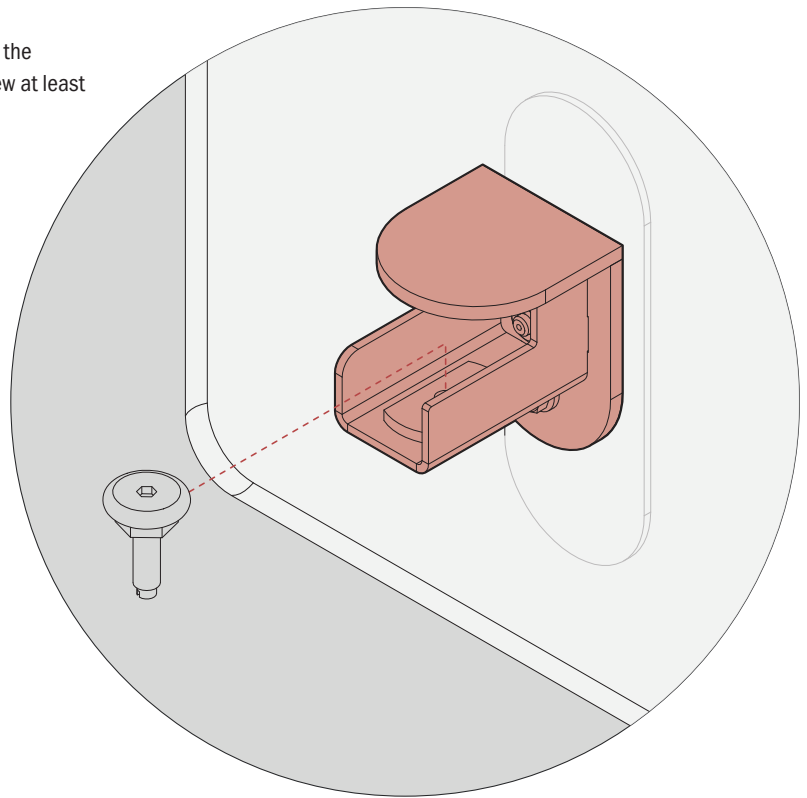
3.

Insert Clamping Screw

Insert the clamping screw into the threaded hole in the mounting bracket and position the head of the screw at least 3/4" from the top of the bracket.



5/18-18x1" Clamping
Screw (0000229)



4.

Attach Screens to Desk

Position the screen on the edge of the desk and tighten the clamping screws to secure the screen in position.

