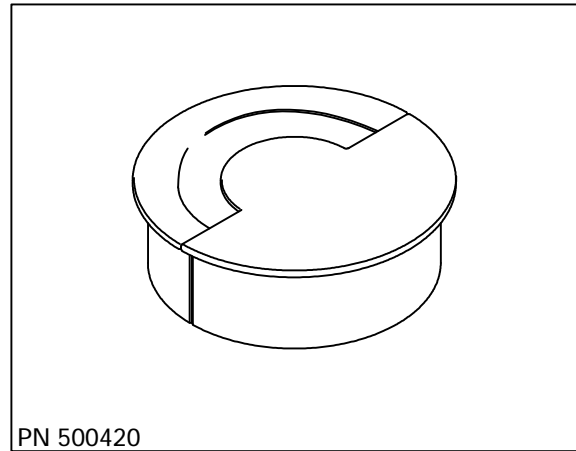
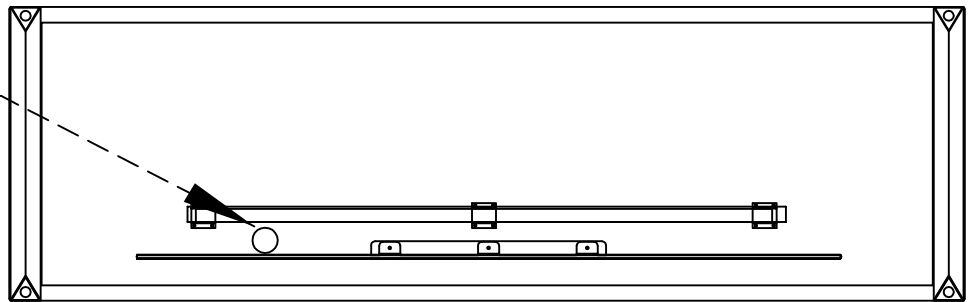




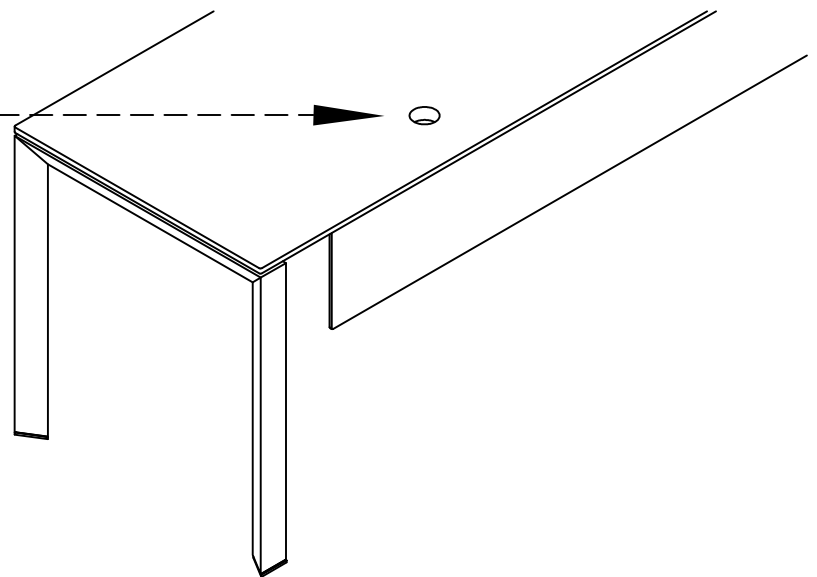
**Step 1**  
Buy grommets.



**Step 2**  
Pick a grommet location free of other hardware. Pilot drill location from bottom.



**Step 3**  
Drill grommet hole from the top. Hole size is 2 3/8" [60mm].



**Step 4**  
Insert grommet into hole.