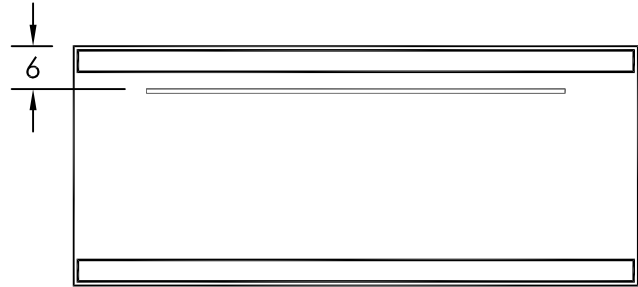




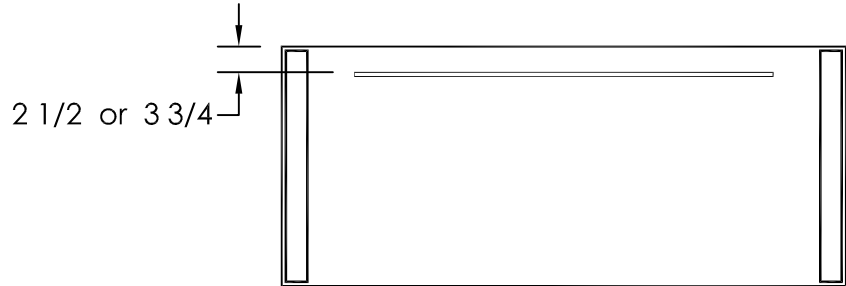
Step 1

Before installing modesty panel please follow the positioning guidelines on this page. Various positioning scenarios are shown at right.



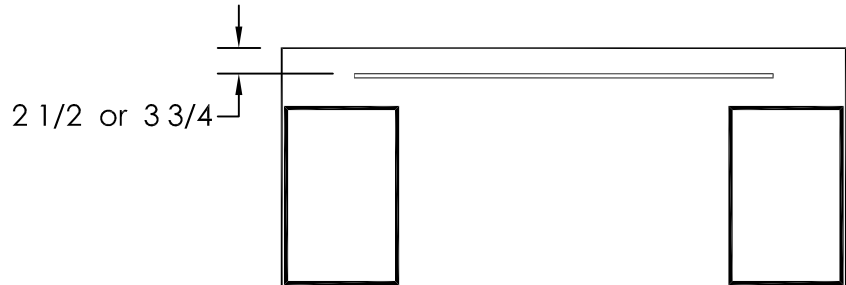
Step 2

Center modesty panel left to right in available opening. Opening size will vary depending on pedestal leg combination installed.



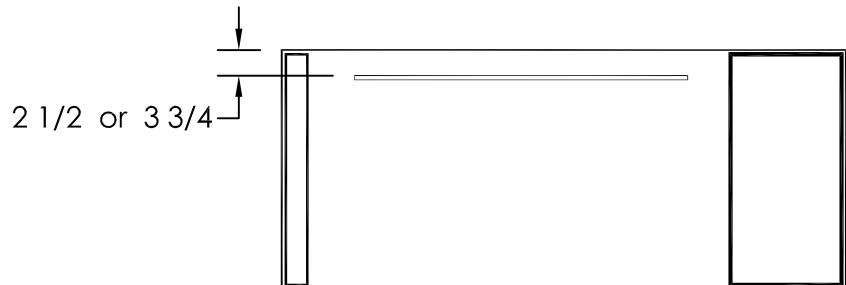
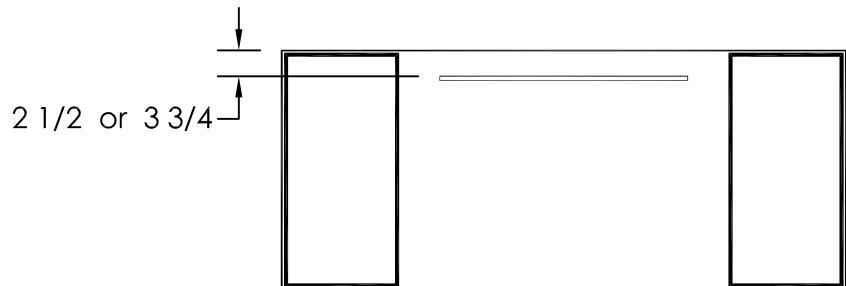
Step 3

Worktops are pre-drilled with pilot holes for mounting the largest size modesty panel that can fit on that desk. This will center the modesty left to right and provide proper set back from front edge of desk



Step 4

The pilot holes provided may not work for your particular leg pedestal combination. The images at right shows positioning logic. Use this when pilot holes are not available. Consult floor plan to match modesty panel size to desk.



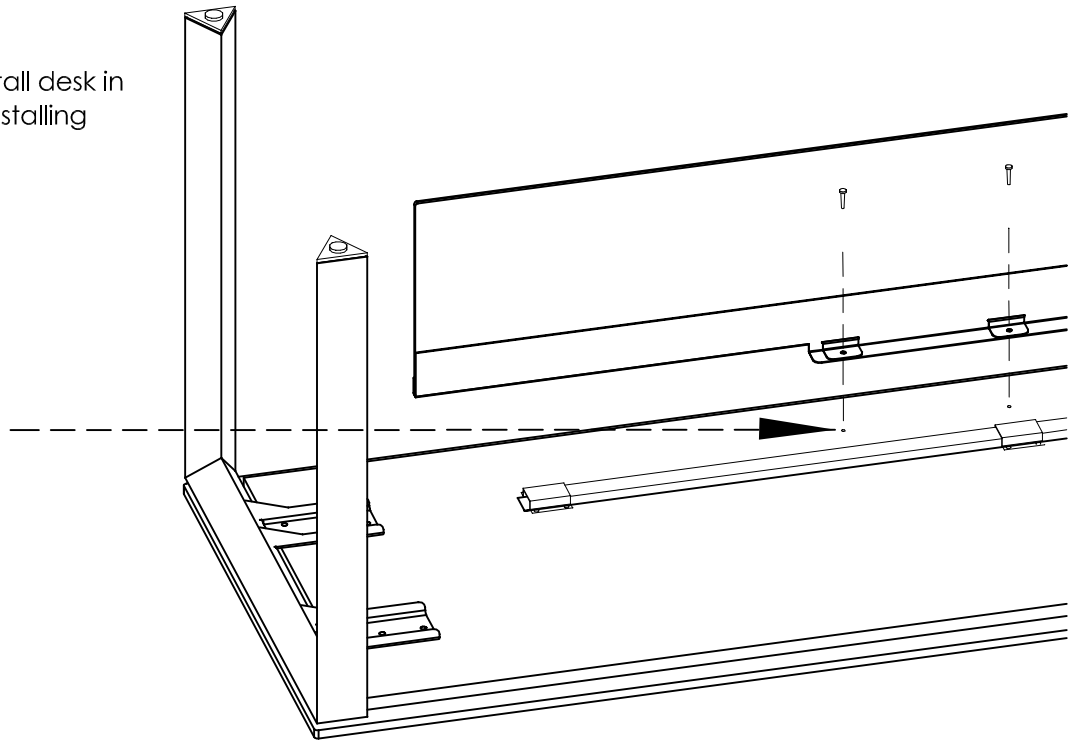


Step 5

Fully assemble and install desk in final location before installing modesty panel.

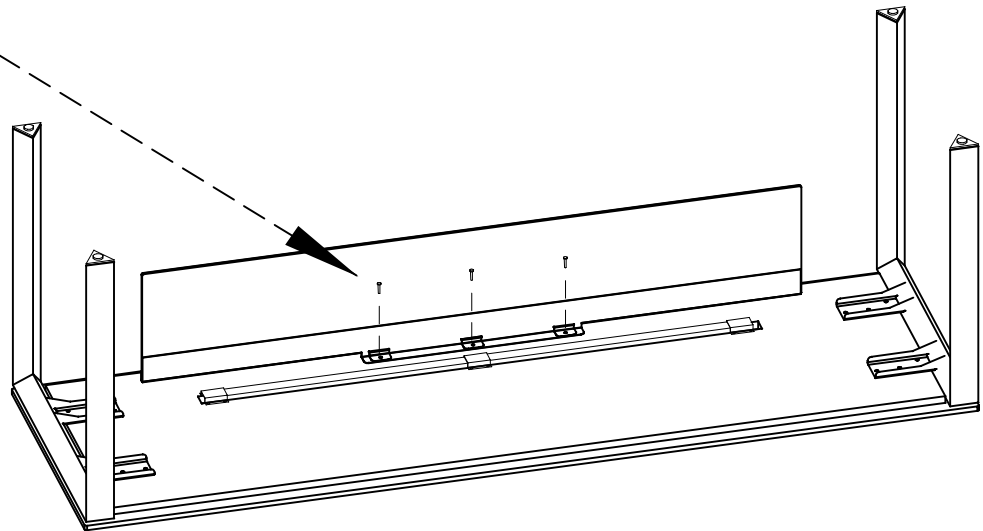
Step 6

Locate predrilled pilot holes for modesty panel. Use the holes for alignment.



Step 7

Use the 3/4" long screws provided to screw the modesty panel bracket in place.



Desk with modesty panel installed.

