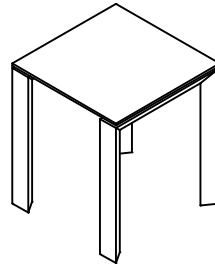
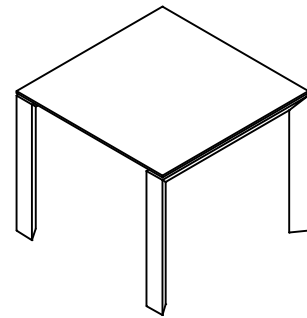


28"x28"
17.5"H Table



20"x20"
22.5"H Table



28"x28"
22.5"H Table

Step 1

Begin table assembly with work surface upside down.

Step 2

To attach legs, align holes in leg brackets to the threaded inserts in table. Attach legs to desk with 1/4-20 x 3/8" machine screws provided (FIG-1).

