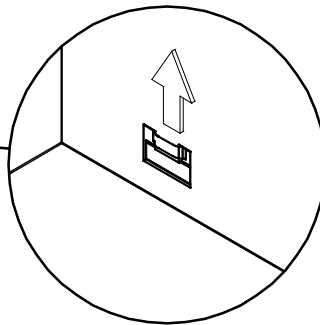
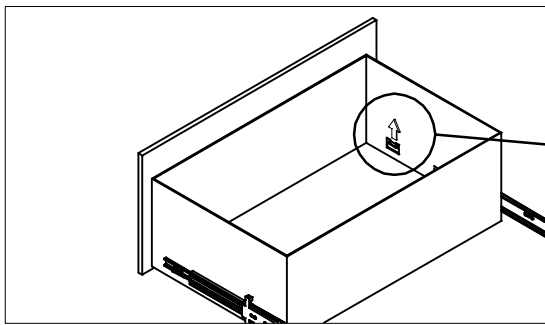


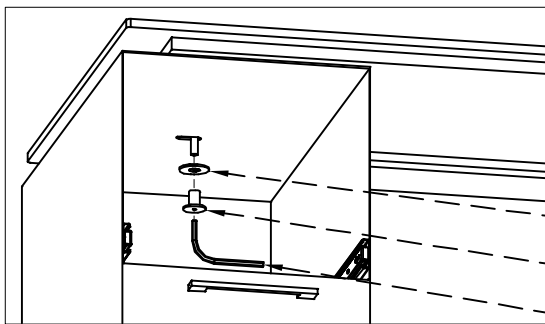
**Step 1: For 15" wide drawers**  
To remove top drawer, press plastic levers up or down on sides of drawer slides to disengage drawer.

**Tip:**  
Plastic levers will press in opposite directions on each side of drawer.



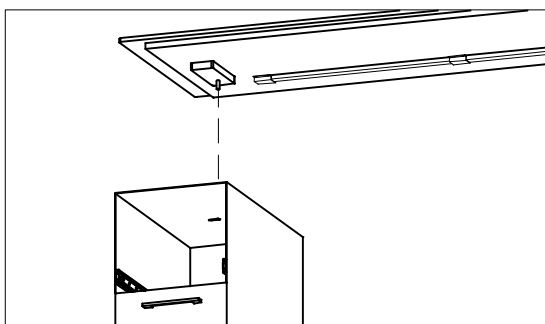
**Step 1: For 30" wide drawers**  
Lift drawer straight upward to detach tab from drawer slides.

**Tip:** Lift one corner or side of drawer at a time.

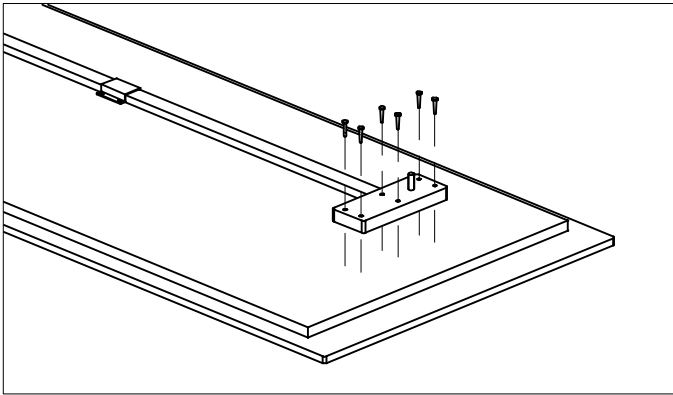


**Step 2**  
Unscrew joint connector nut and washer from inside of pedestal using M5 Allen wrench.

- 2" Fender Washer
- Joint Connector Nut
- M5 Allen wrench.



**Step 3**  
Lift desk and riser straight up from pedestal. Make sure not to scratch top of pedestal at this time. Place desk upside down on floor.



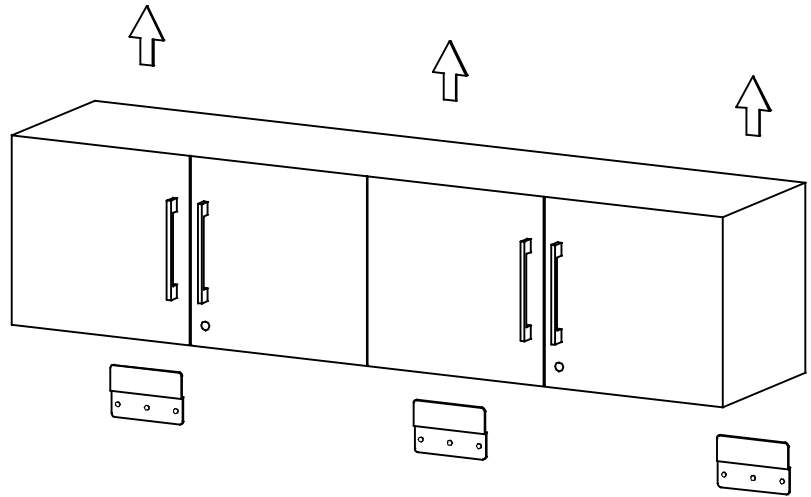
**Step 4**

Unscrew all screws connecting riser to desk and remove. Also remove legs and support tube at this time.

**To Remove Wall Mounted Cabinet:**

**Step 1**

Lift the cabinet straight upward to take cabinet off of wall.



**Step 2**

Remove screws from steel cleats on wall.

