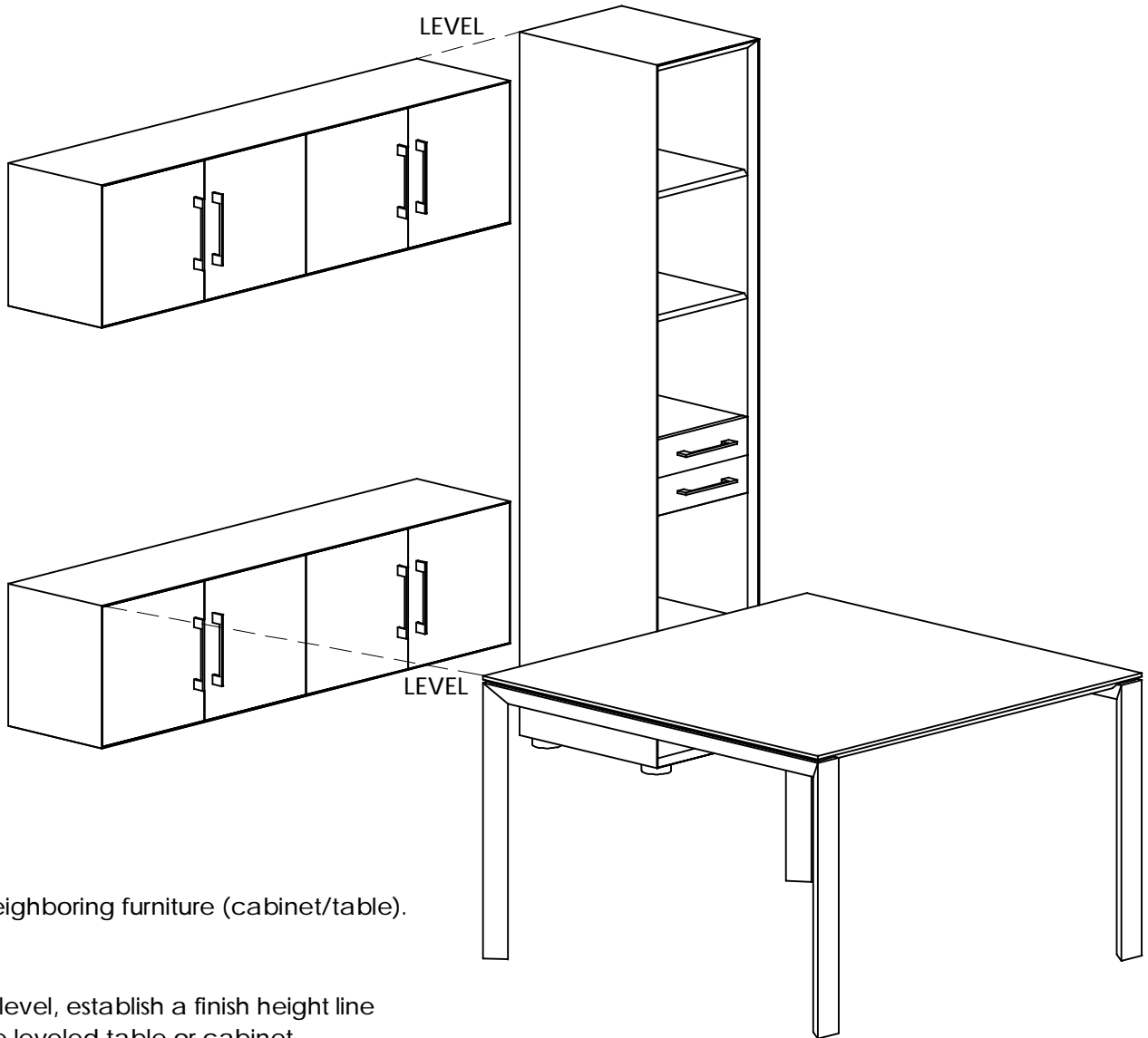




Mounting Options

- Wall mounted cabinets can be mounted at any height.
- When using cabinets as overheads, consult with the project architect, designer, or the customer for mounting height.
- Neighboring cabinets can also be used as reference height.
- When mounting cabinets low, reference neighboring table heights. Watson Tables are 29 1/2" tall before leveling.



Step 1

Level neighboring furniture (cabinet/table).

Step 2

Using a level, establish a finish height line from the leveled table or cabinet.

Step 3

Mount aluminum cleat on wall and hang cabinet (see Page 2).

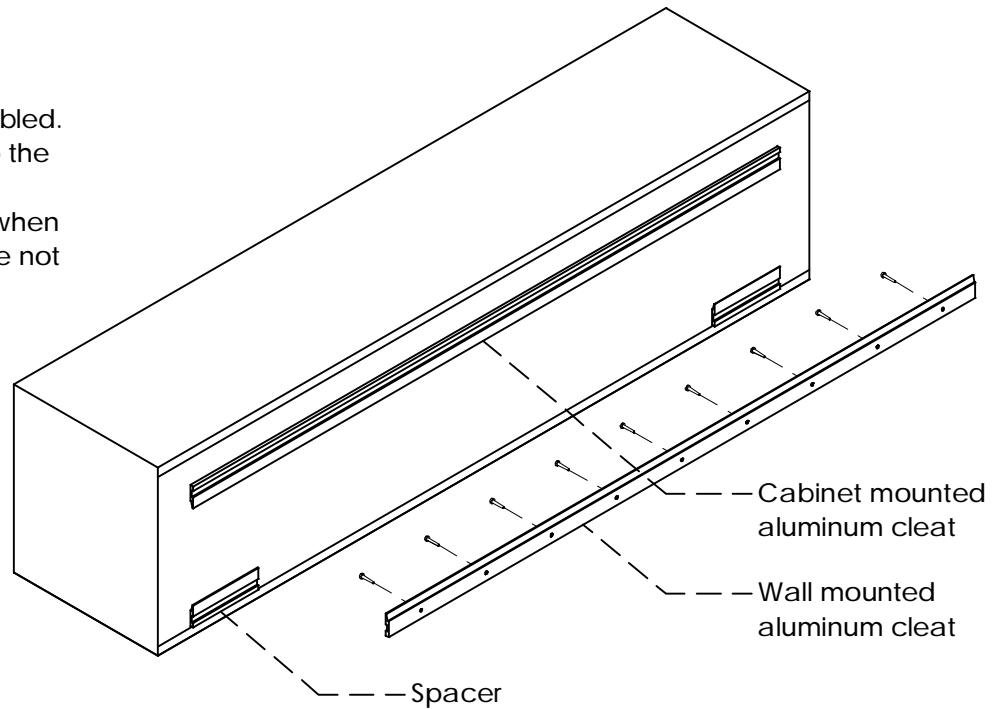
NOTE: Low mounted cabinets are not intended for sitting.



Installation onto Wall

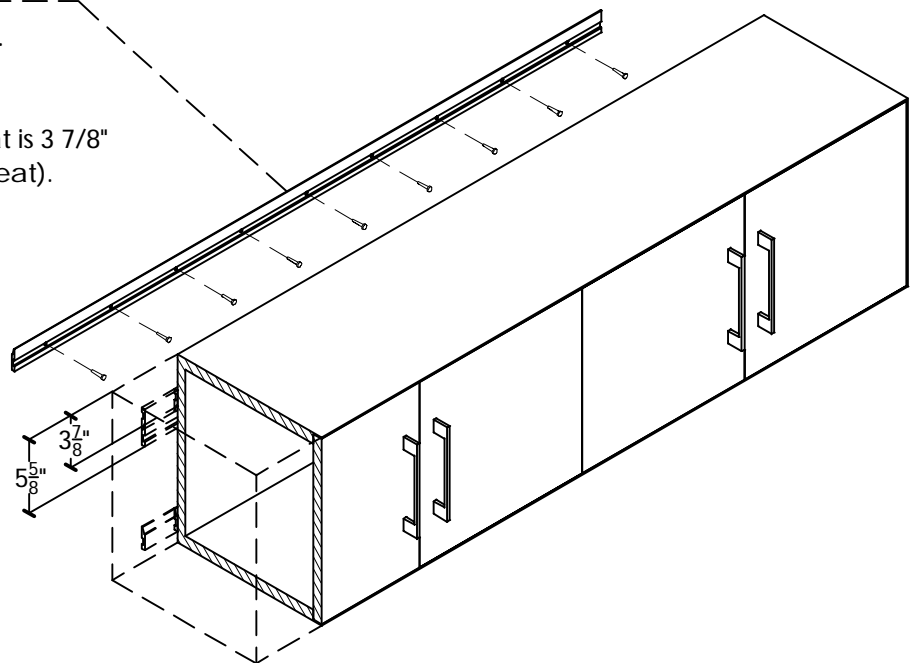
Step 1

Wall hung units are pre-assembled. Aluminum cleat is mounted to the walls studs directly whenever possible or with "molly bolts" when appropriate. Wall fasteners are not included in hardware kit.



Step 2

Attach aluminum cleat to the wall. Level as required (see Page 1). The distance from the top of the cabinet to the top of the wall cleat is $3 \frac{7}{8}$ " ($5 \frac{5}{8}$ " to the bottom of the wall cleat).



Step 3

After securing cleat to wall with appropriate hardware, carefully lower cabinet onto the wall cleat.