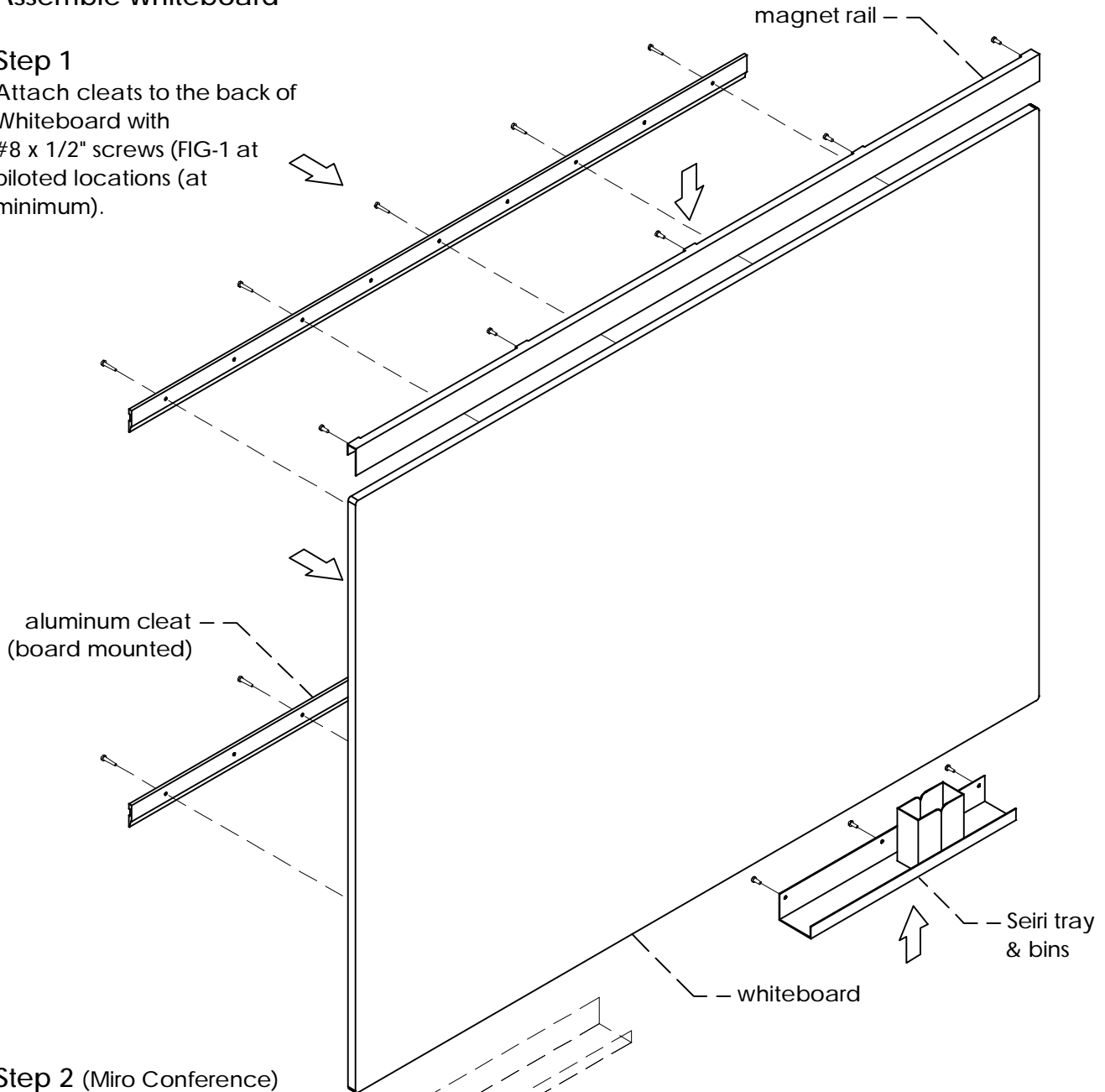




Assemble Whiteboard

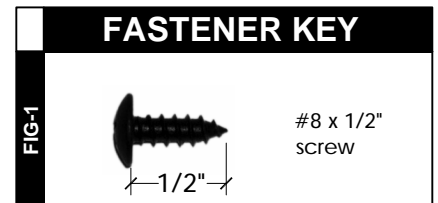
Step 1

Attach cleats to the back of Whiteboard with #8 x 1/2" screws (FIG-1 at piloted locations (at minimum).



Step 2 (Miro Conference)  
Attach Magnet Rail to top of Whiteboard with #8 x 1/2" screws (FIG-1).

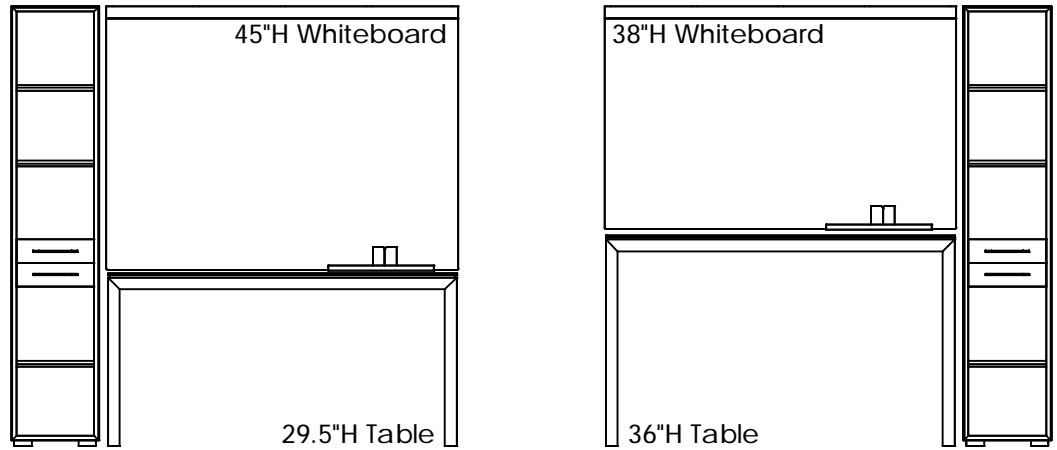
Step 3  
Attach Seiri Tray to bottom of Whiteboard (right or left side) with #8 x 1/2" screws (FIG-1).





### Locate Whiteboard

- Whiteboards can be mounted at any height.
- Neighboring cabinets or tables can be used as reference heights.



### Mount Whiteboard

#### Step 1

Aluminum cleat is mounted directly to walls studs whenever possible. "Molly bolts" or EZ anchors may be used when appropriate.

aluminum cleat  
(wall mounted)

#### Step 2

Attach aluminum cleat to the wall. Level as required. The distance from bottom of Whiteboard to bottom of wall cleat is 5-9/16".

#### Step 3

After securing cleats to wall with the appropriate hardware, carefully lower Whiteboard onto wall cleats.

