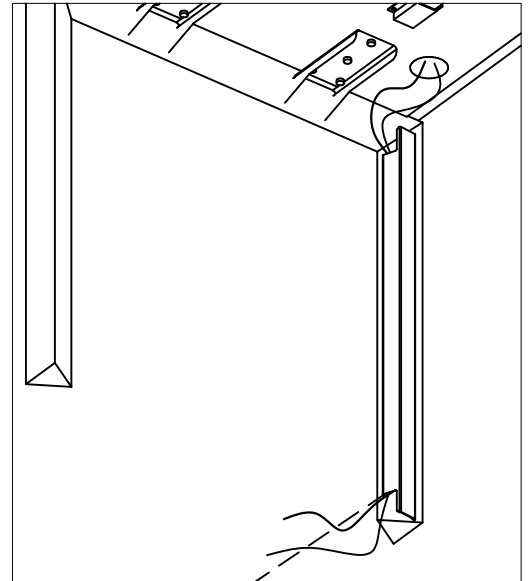
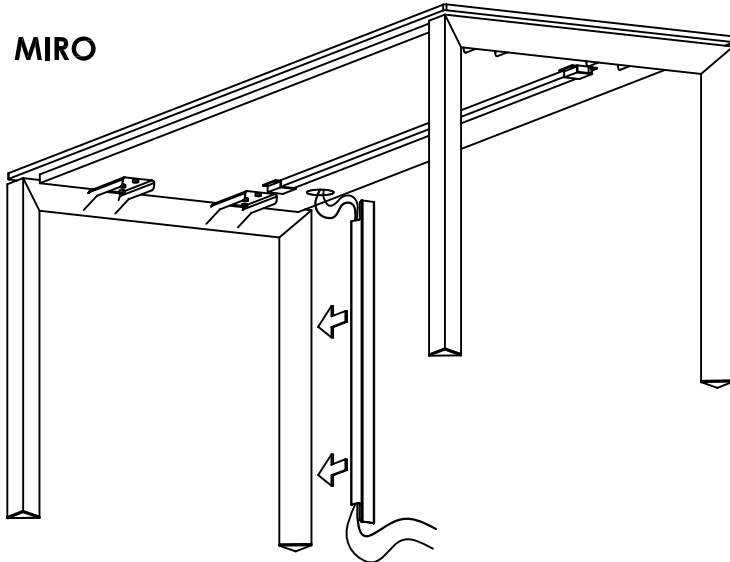




**MIRO**



**Note:** Cable Channels magnetically attach to legs.

**Step 1**  
Place all cables into cable Channel.

**Step 2**  
Place Cable Channel onto leg in desired position. Magnets will secure Channel to leg. (For best results, face notched side of Channel underneath desk.)

**M2**

