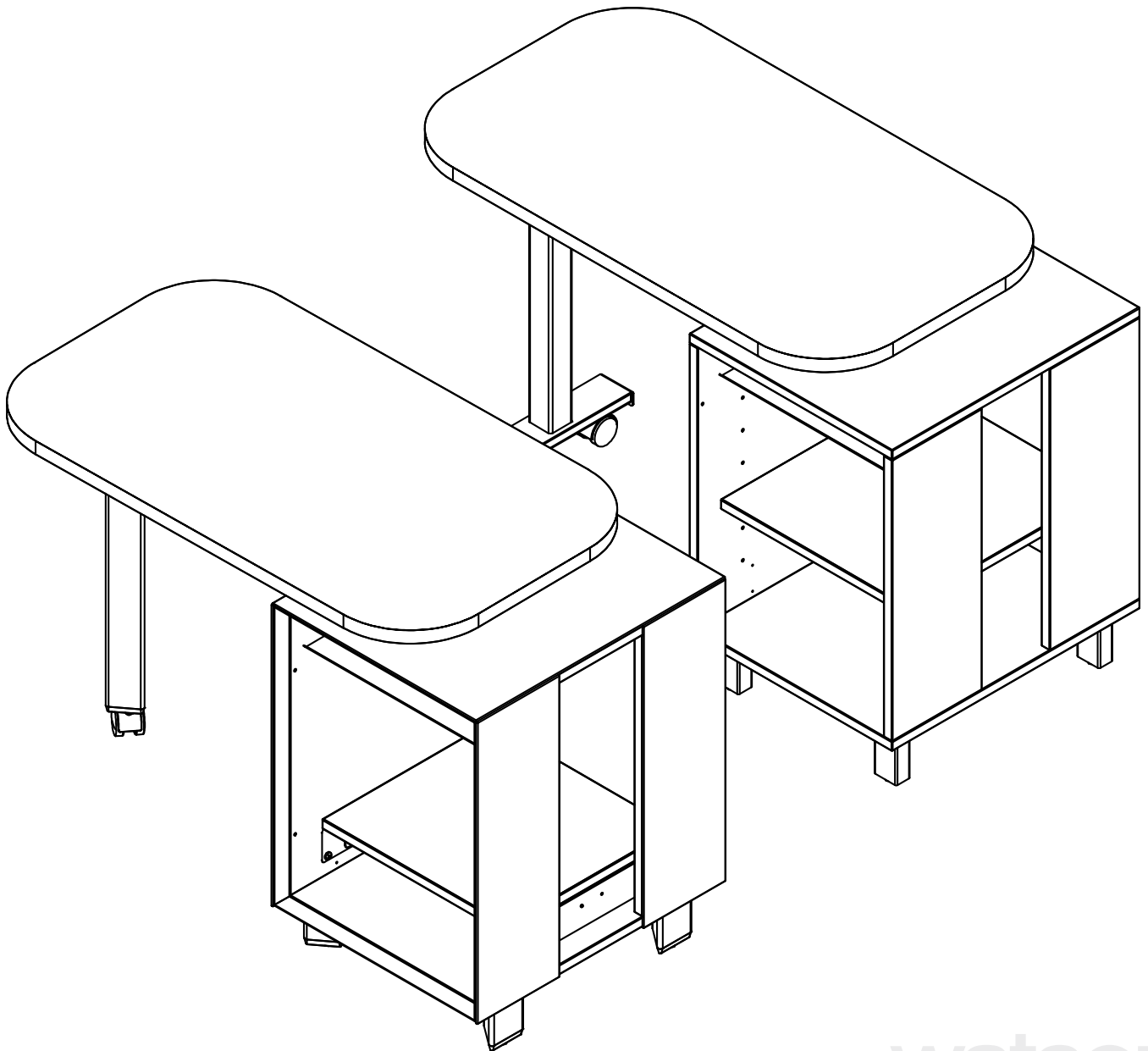
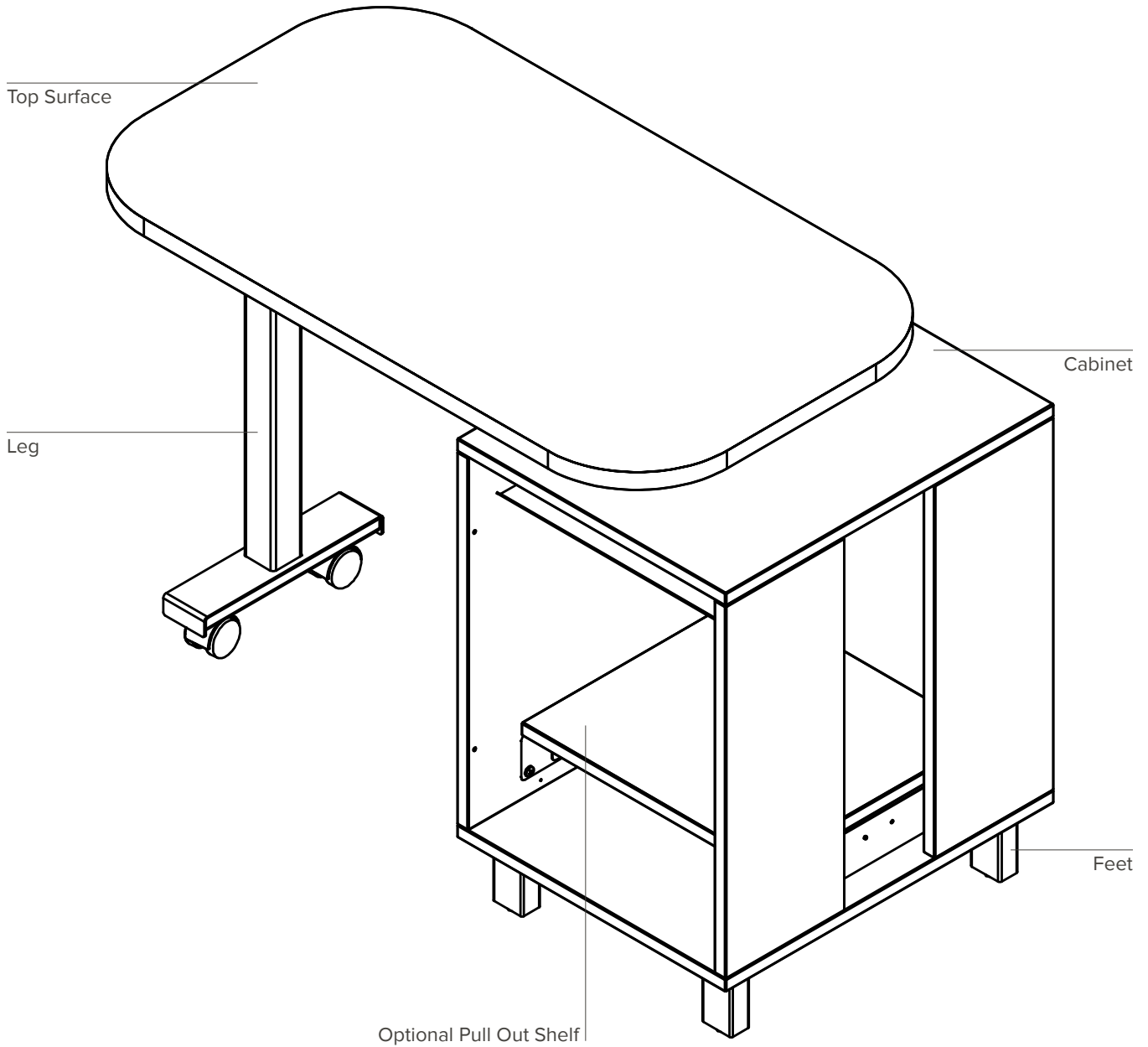


PROVIDER STATION

PRODUCT ASSEMBLY INSTRUCTIONS



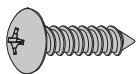
PRODUCT TYPICAL



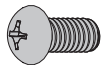
FASTENERS



#8x1 1/4"
Wood Screw
(0000168)

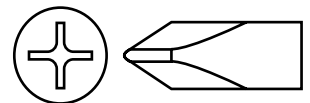


#10x5/8"
Wood Screw
(122800)



1/4-20x3/8"
Phillips Head
(126665)

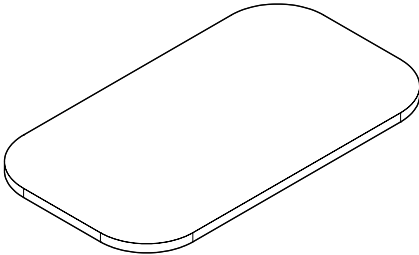
TOOLS



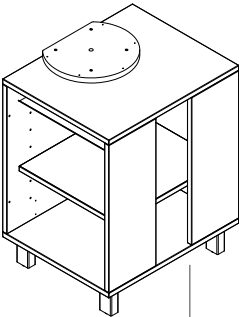
Phillips Head Driver

PRODUCT BASIC COMPONENTS

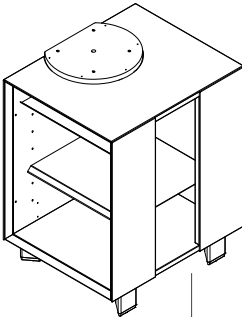
Top Surface



Cabinet

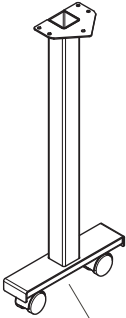


Zo

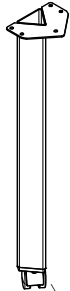


Miro

Leg

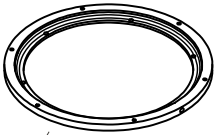


T-Leg



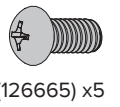
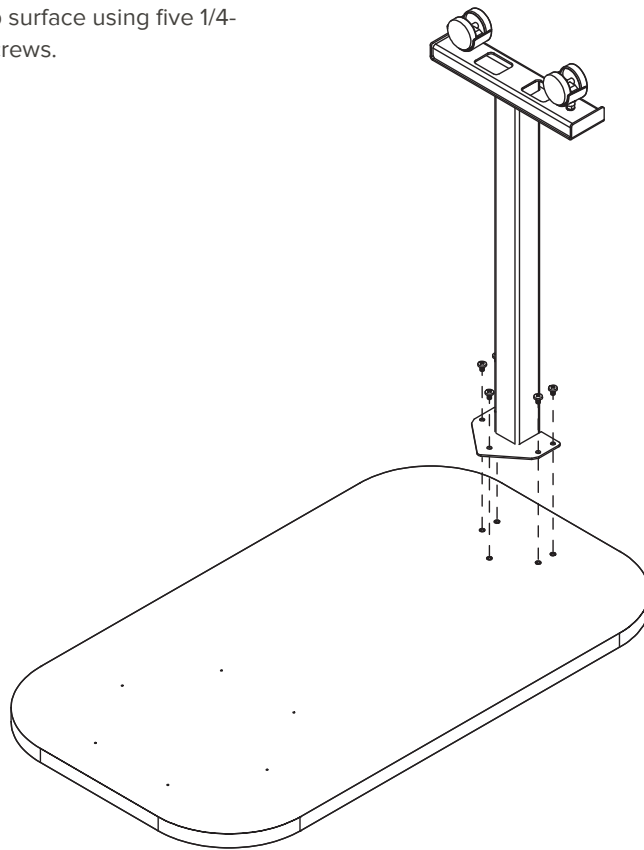
Post Leg

Hardware



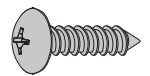
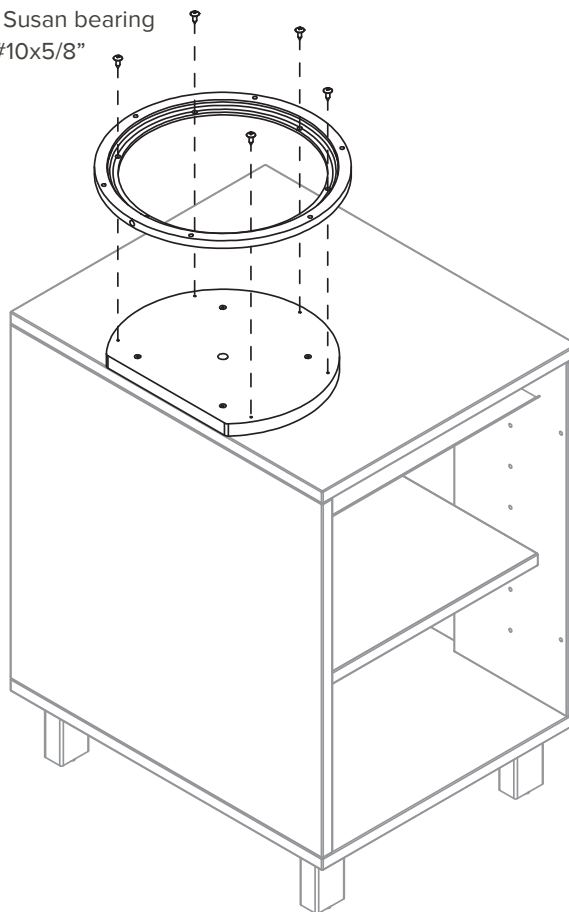
Lazy Suzan Bearing

1. Attach the leg to the top surface using five 1/4-20x3/8" Phillips head screws.



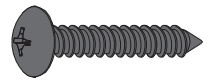
(126665) x5

2. Attach the inner section of the Lazy Susan bearing to the top of the cabinet using five #10x5/8" wood screws.

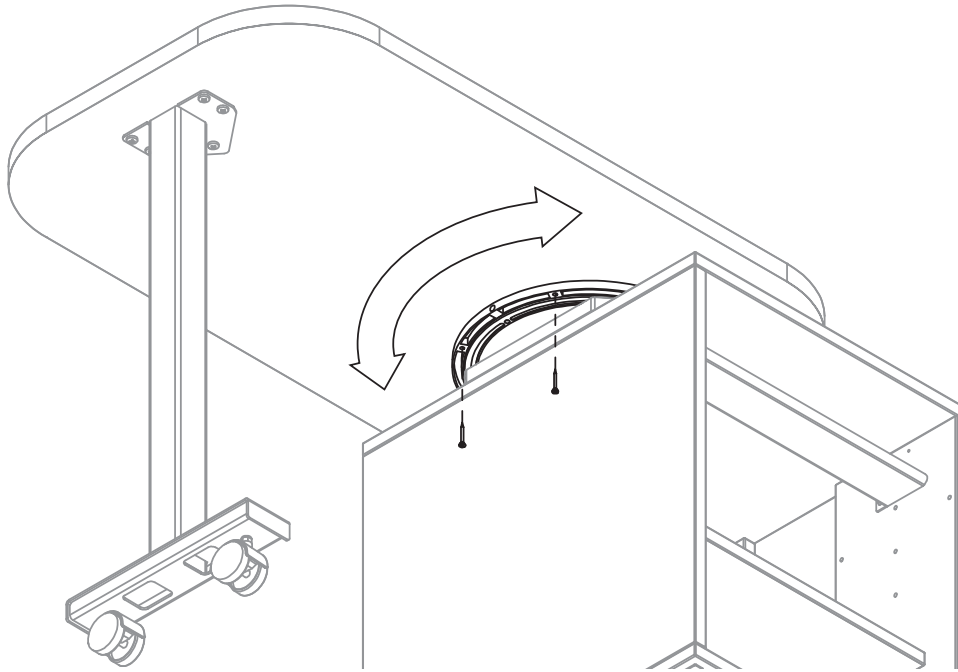


(122800) x5

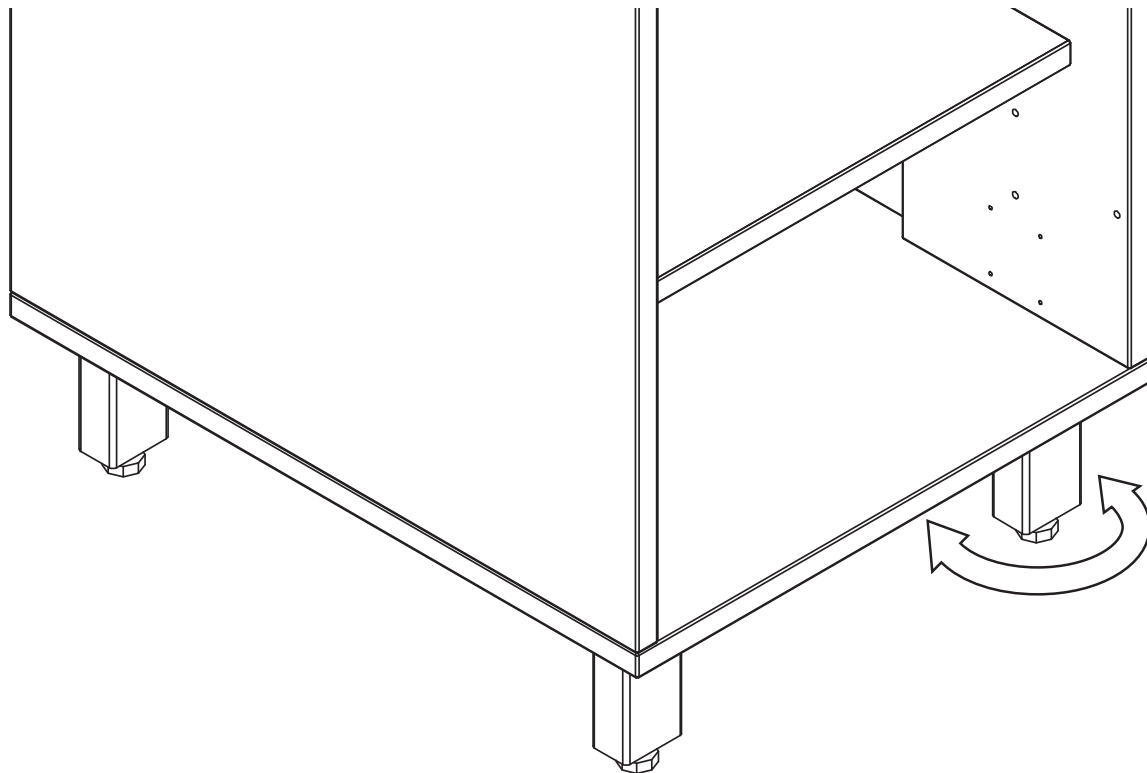
3. Attach Lazy Susan bearing to top surface using six #8x1 1/4" wood screws. Insert screws into pilot holes on top surface and secure two at a time. Rotate the top surface to access the other pilot holes.



(0000168) x6



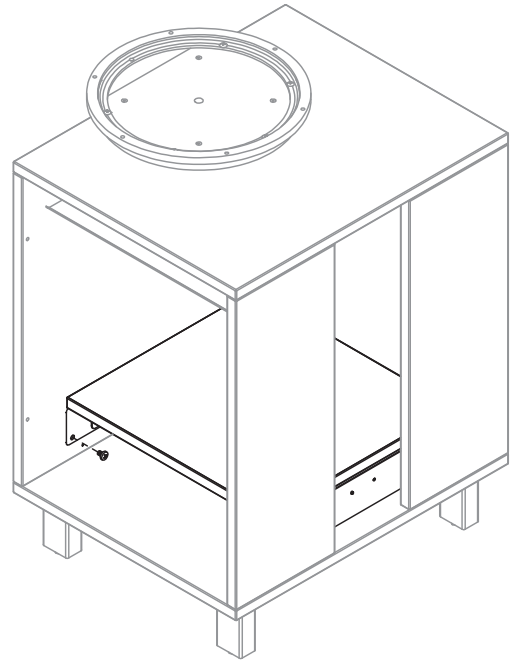
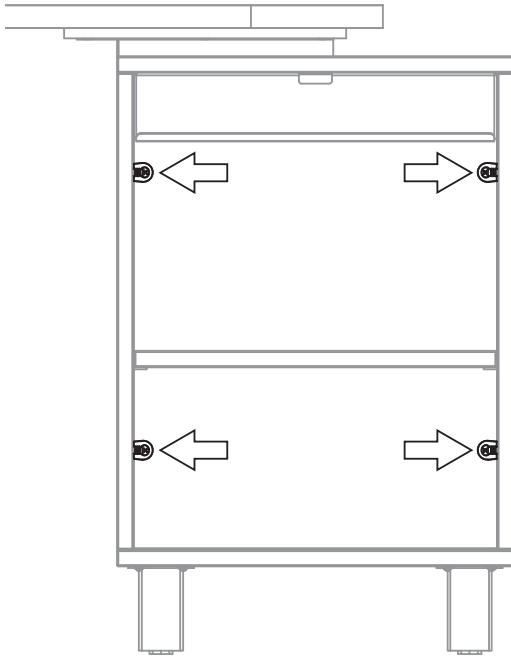
4. Level the cabinet by turning the threaded glides to raise and lower each foot.



5. Changing Handedness of the Cabinet.

First loosen the cams in the rear of the cabinet which hold on the rear cover.

If using the optional pull out shelf, remove it first to better access the rear cams.



6. Remove the rear cover, and remove the shoulder screws from the sides. Move the shoulder screws to the other side of the cabinet, reattach the rear cover, and tighten the cams on the rear cover. If using optional pull out shelf, reinstall it opposite the original direction after replacing the rear cover.

