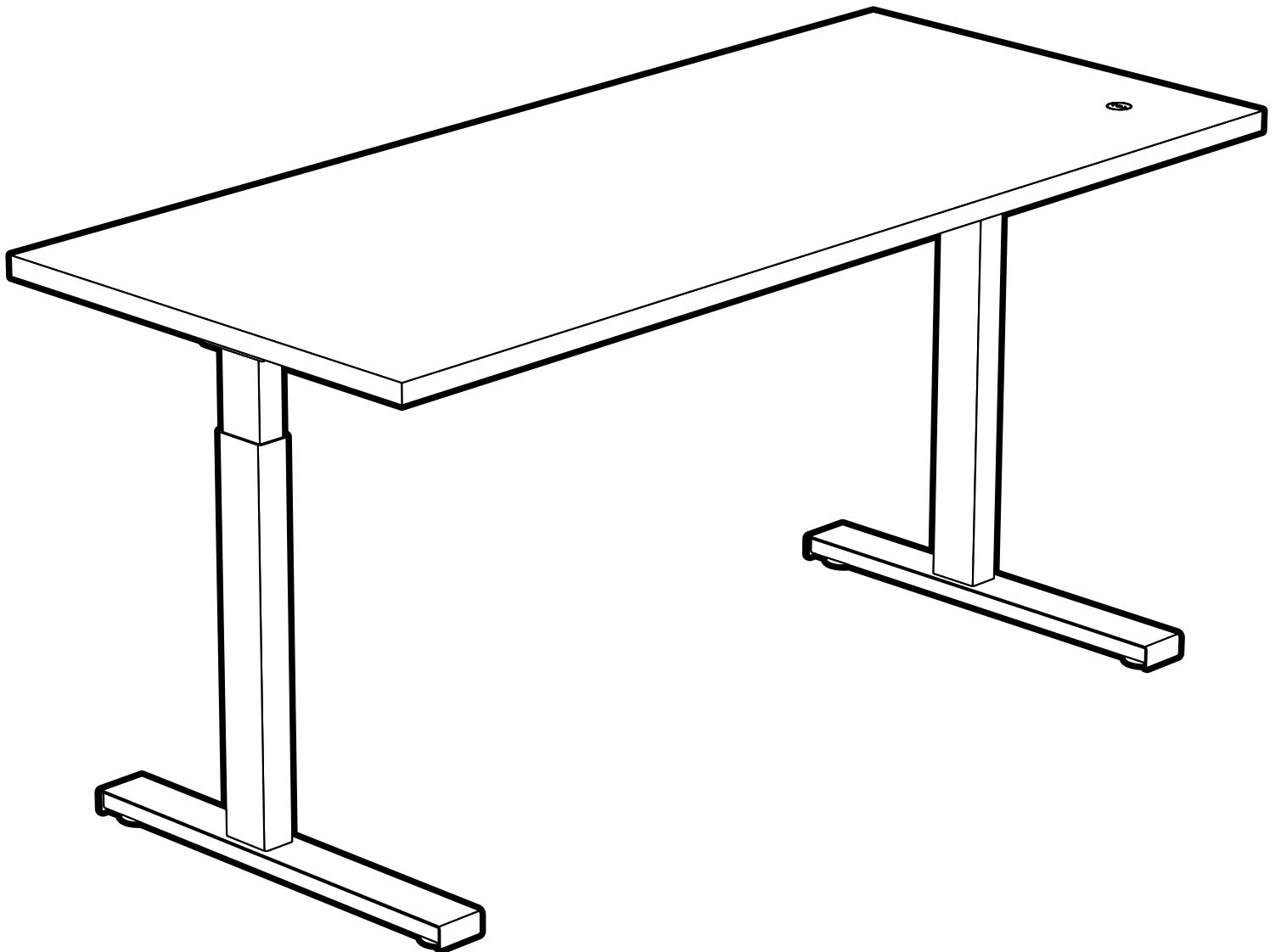
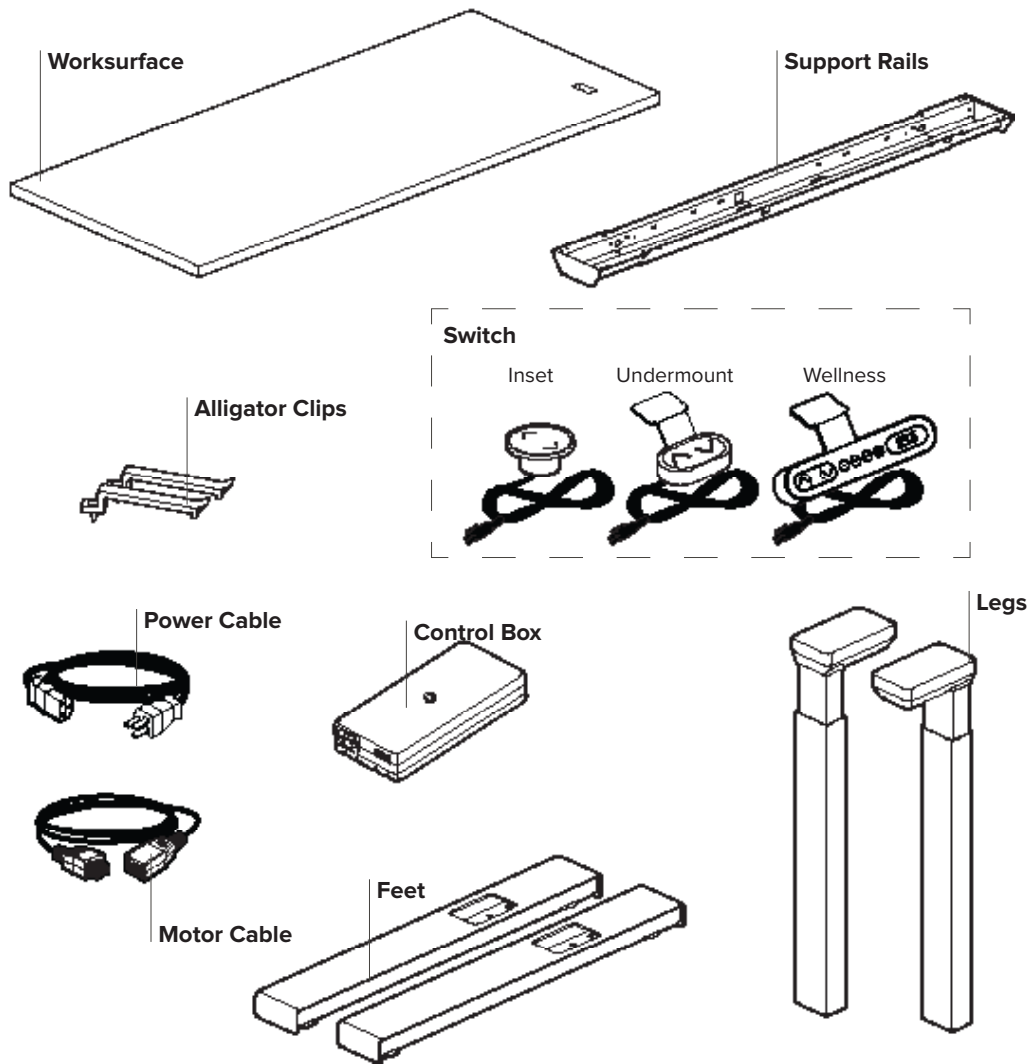


SEVEN ELECTRIC

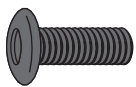
2-LEG TABLE ASSEMBLY INSTRUCTIONS



2-LEG TABLE COMPONENTS



FASTENERS



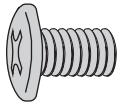
M6-1x12mm Button Head Socket Cap Screw, Black (125290)



#10x3/4" Pan Head Wood Screw (127000)



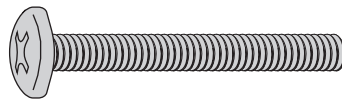
#8x5/8" Truss Head Panhead Screw (122800)



1/4-20x3/8" Phillips Pan Head Machine Screw (126665)



M6-1x12mm Nylock Nut (888152)



M6-1x40mm Phillips Pan Head Machine Screw (125293)

TOOLS



#2 Phillips

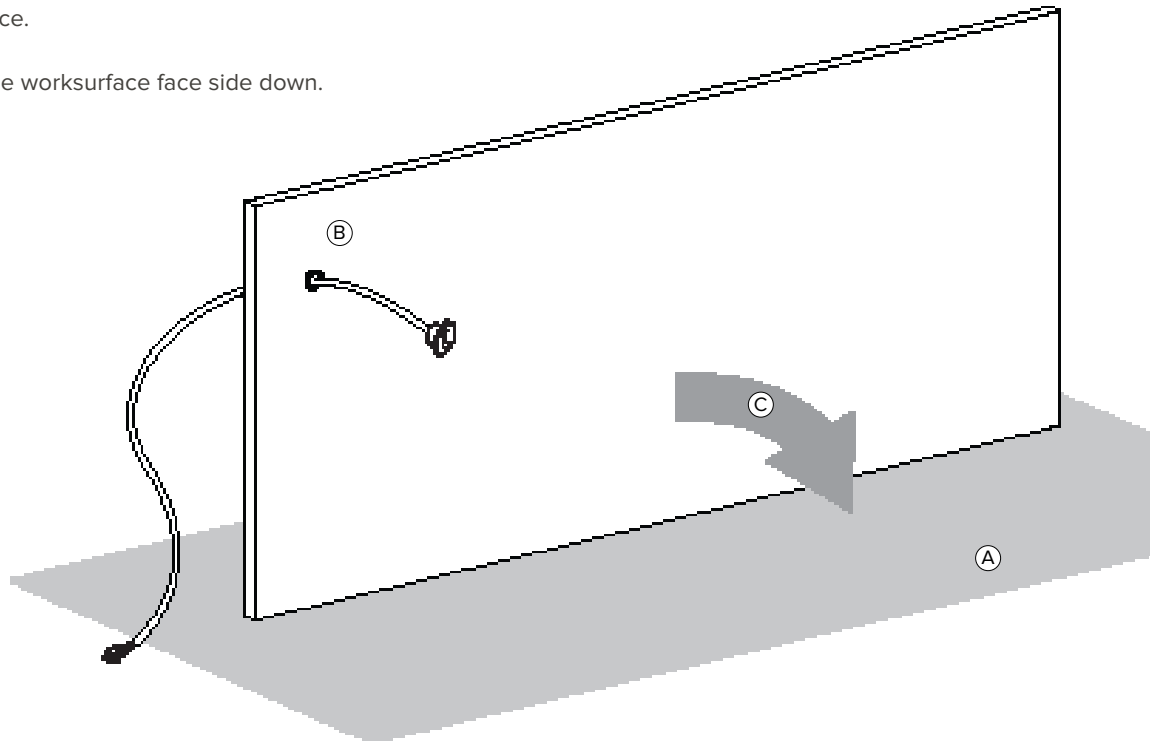


5/32" (or 4mm) Hex Tip

1.

Switch

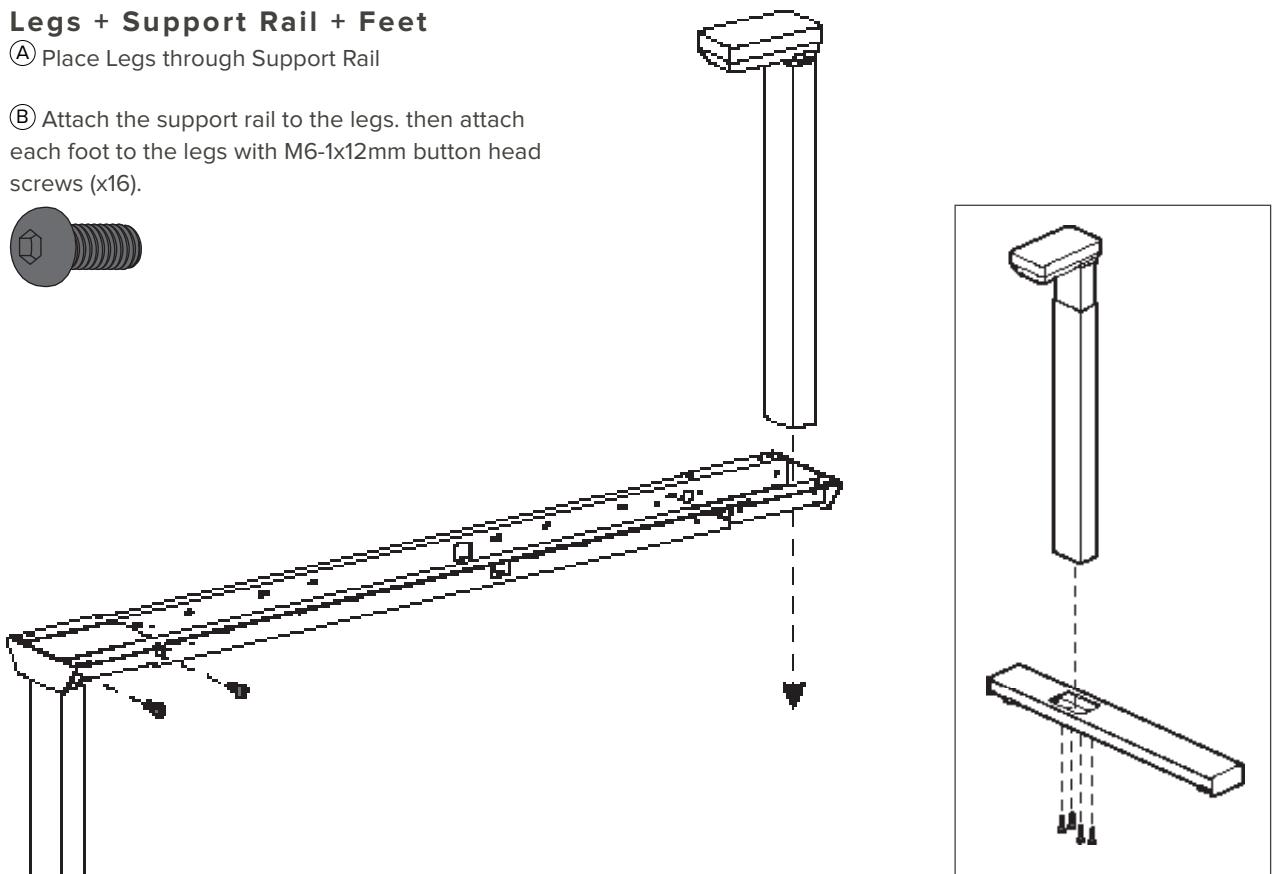
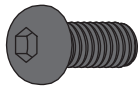
- Ⓐ Assemble on a clean blanket or carpet.
- Ⓑ Push switch into pocket on the top side of the surface.
- Ⓒ Lay the worksurface face side down.



2.

Legs + Support Rail + Feet

- Ⓐ Place Legs through Support Rail
- Ⓑ Attach the support rail to the legs. then attach each foot to the legs with M6-1x12mm button head screws (x16).

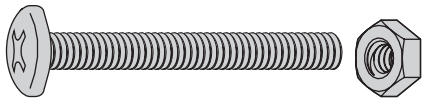


3. Control Box + Wires

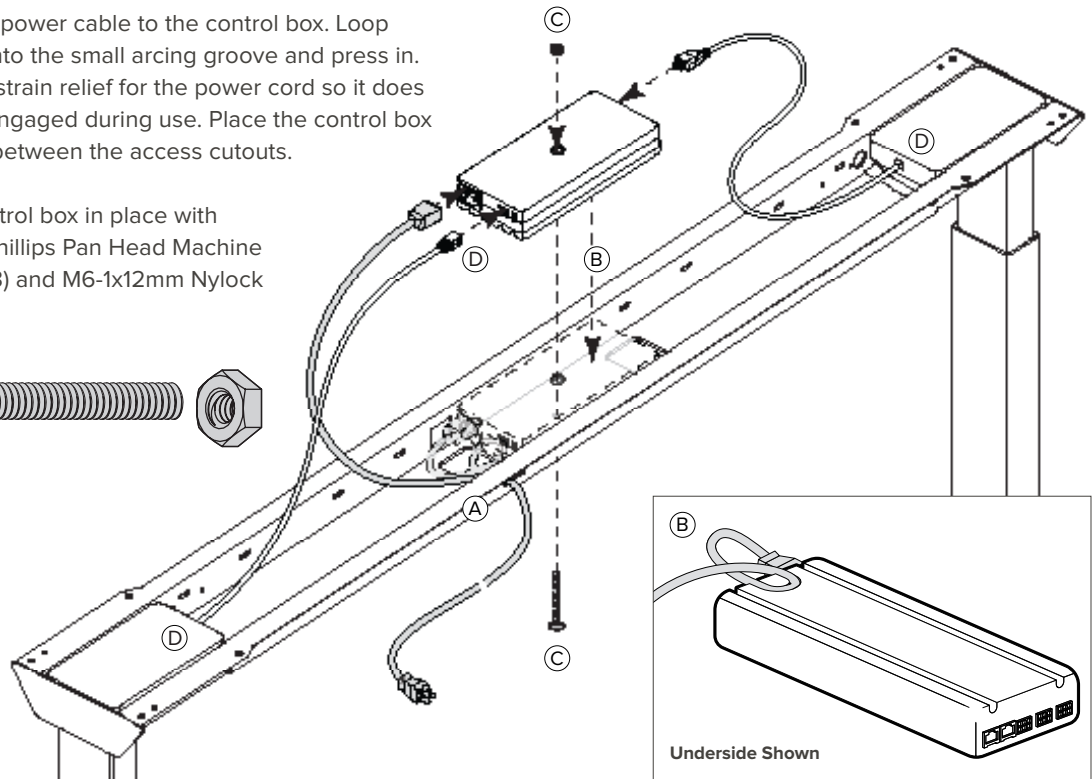
Ⓐ Feed the power cable through the rail notch.

Ⓑ Secure the power cable to the control box. Loop power cable into the small arcing groove and press in. This provides strain relief for the power cord so it does not come disengaged during use. Place the control box on the Rail in between the access cutouts.

Ⓒ Secure control box in place with M6-1x40mm Phillips Pan Head Machine Screw (125293) and M6-1x12mm Nylock Nut (888152)



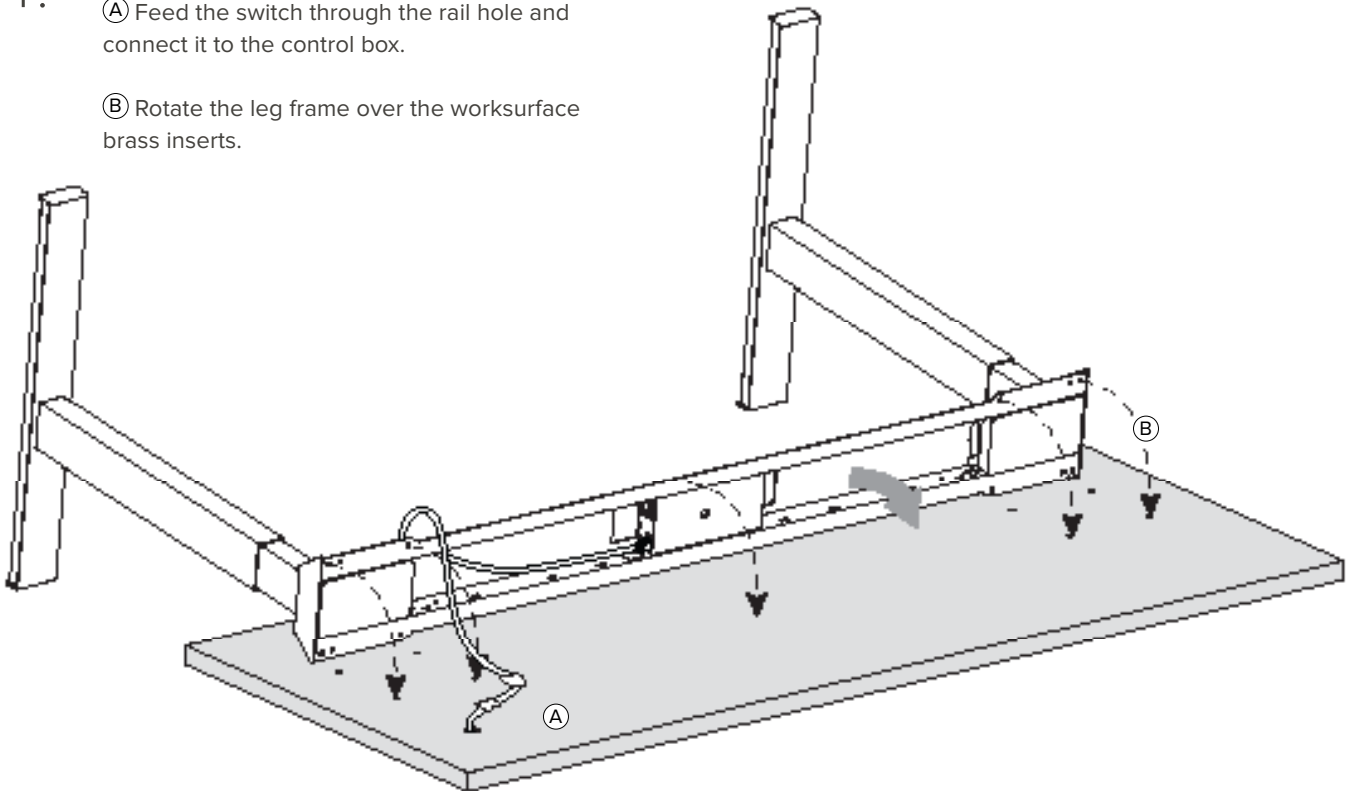
Ⓓ Plug cords



4. Connect Switch

Ⓐ Feed the switch through the rail hole and connect it to the control box.

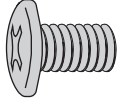
Ⓑ Rotate the leg frame over the worksurface brass inserts.



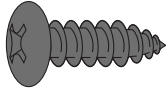
5. Attach Worksurface

Ⓐ Align the leg frame and push in any stray cables.

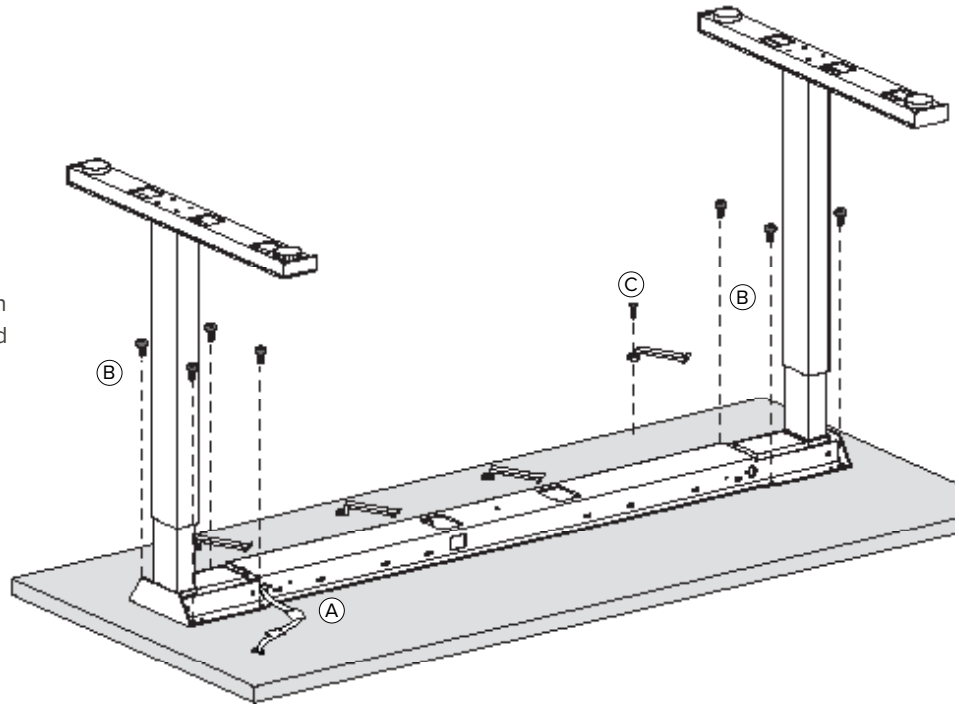
Ⓑ Secure the surface with ¼-20x¾" Phillips Pan Head Machine Screws (x8)



Ⓒ Attach the wire clips with #8x⅝" Truss Head Panhead Screw (122800).



Ⓓ Secure switch wire with adhesive pads.



6. Test + Level

Ⓐ Plug power into 110V AC receptacle and depress the down arrow to initialize desk. The desk will travel down a fraction of an inch then stop. The desk is now ready to travel up and down using the switch.

Ⓑ Place the desk in the workstation, maintaining a minimum 1" gap per ANSI/BIFMA safety standards

Ⓒ Adjust leveling glides to ensure a stable sit-stand performance

