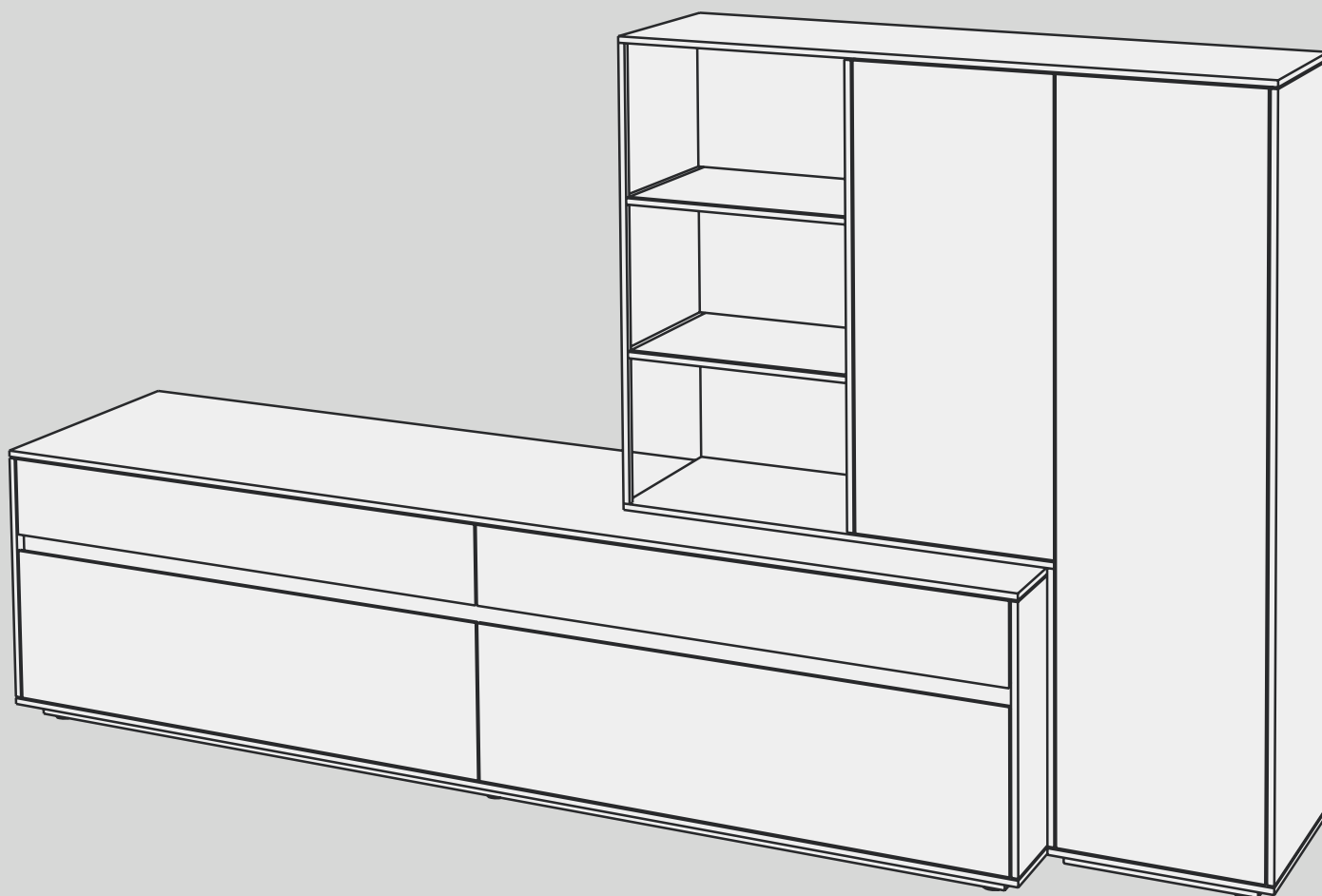
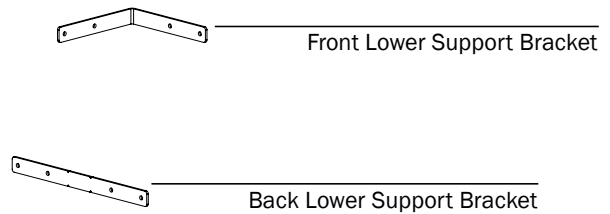
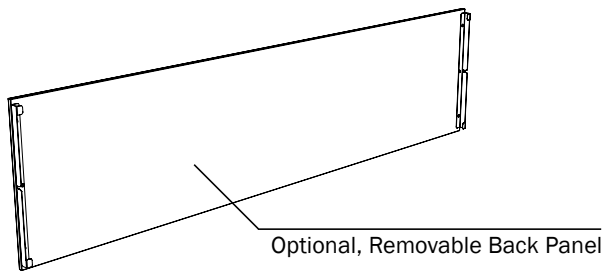
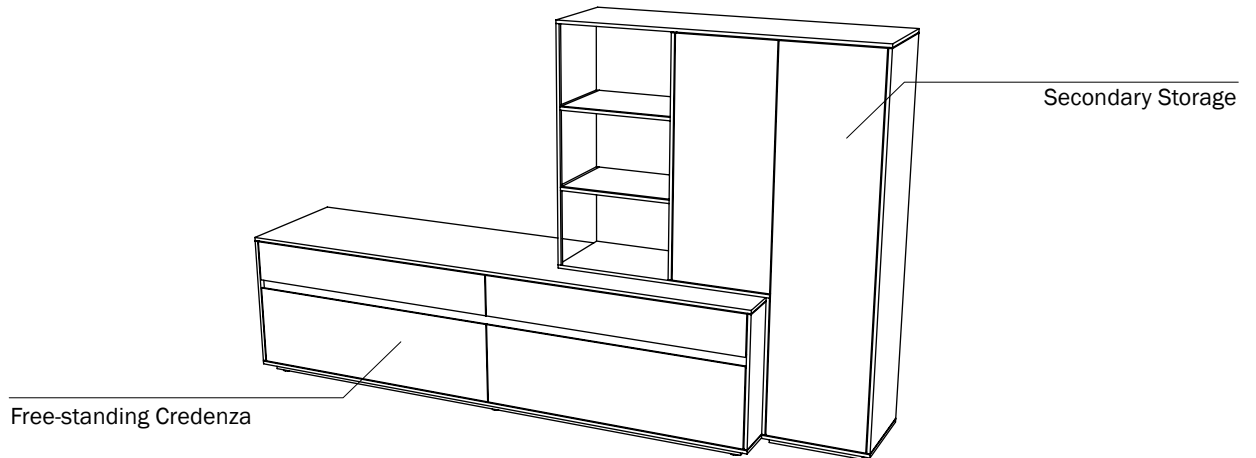


ASSEMBLY

Tia Freestanding Storage



Tia Free-standing Components

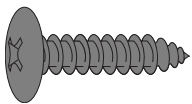


Warnings

WARNING – Risk of Fire or Electric Shock.
It is possible for this office furnishing system to be connected to more than one source of supply. Disconnect all sources prior to any servicing. A single circuit shall not be powered by more than one source.

WARNING – For commercial use only.

Hardware



#10x3/4" Pan Head
Wood Screw, Black
(122875)

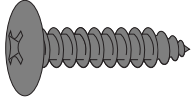
Tools



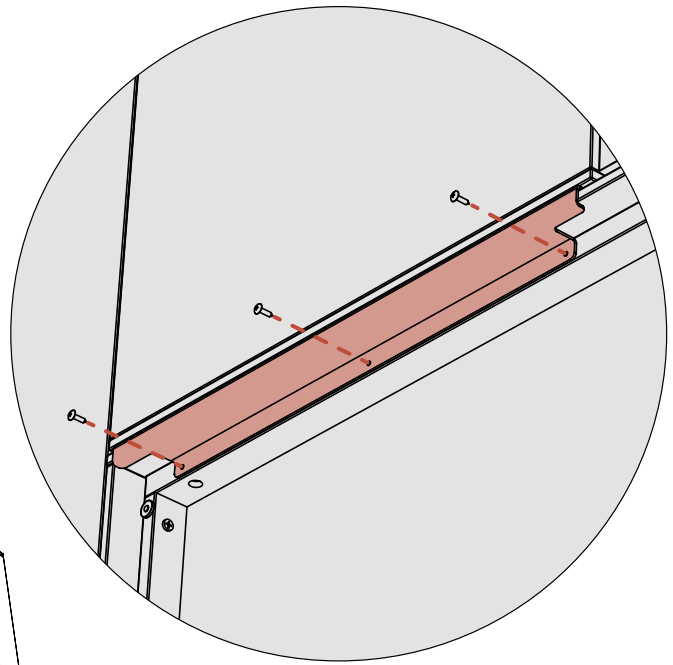
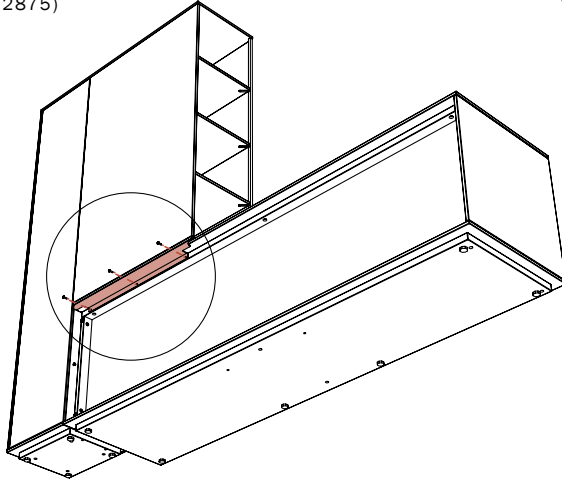
Phillips Screwdriver

1. Mount Secondary Storage

Remove the optional back cover of the credenza. Place the secondary storage onto the support credenza. Attach the bracket to the inner-top panel of the credenza with the (3) wood screws.

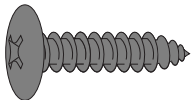


#10x3/4" Pan Head Wood Screw, Black (122875)

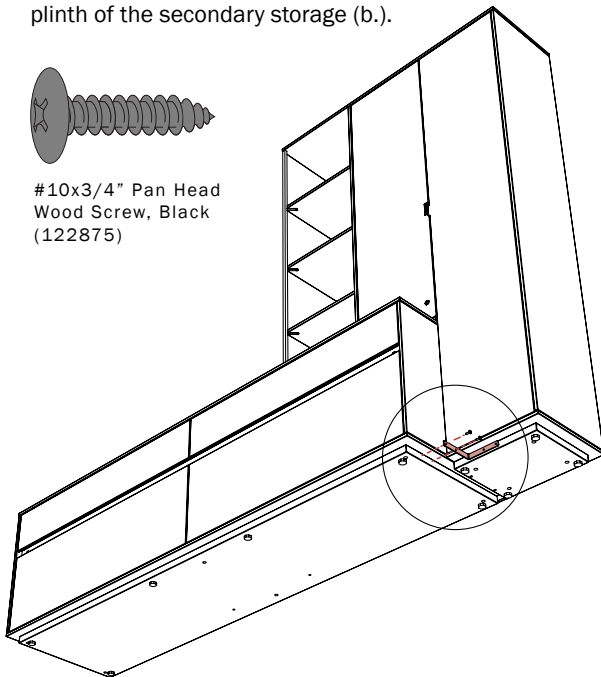


2. Mount Front Lower Bracket

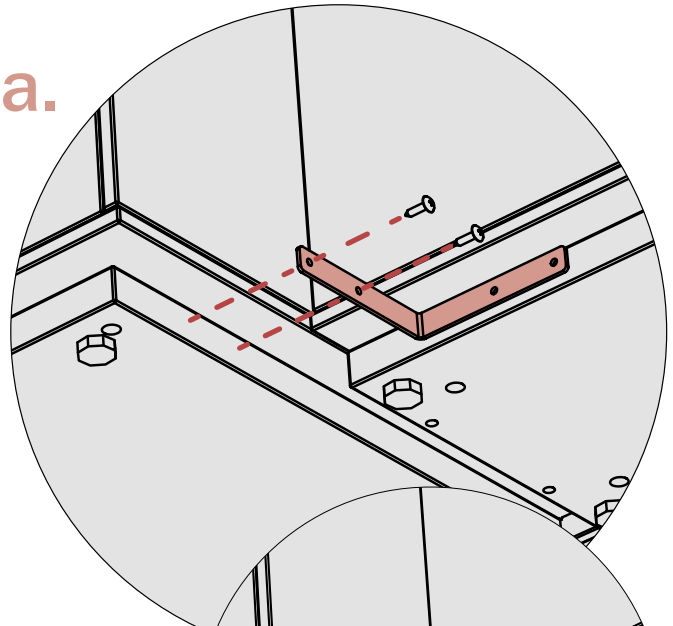
Place the L-shaped bracket onto the side of the credenza plinth, and the front of the secondary storage plinth. Attach with two wood screws into the plinth of the credenza (a.), then attach with two screws into the plinth of the secondary storage (b.).



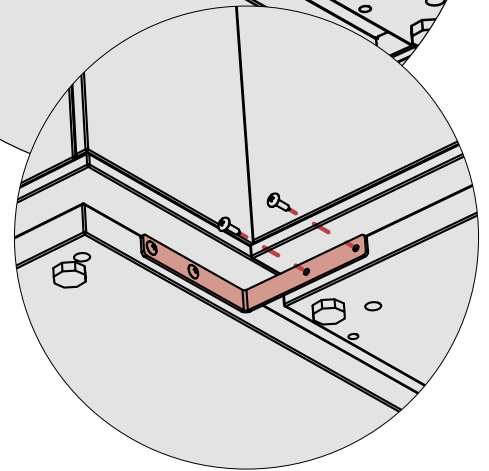
#10x3/4" Pan Head Wood Screw, Black (122875)



a.

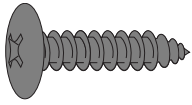


b.

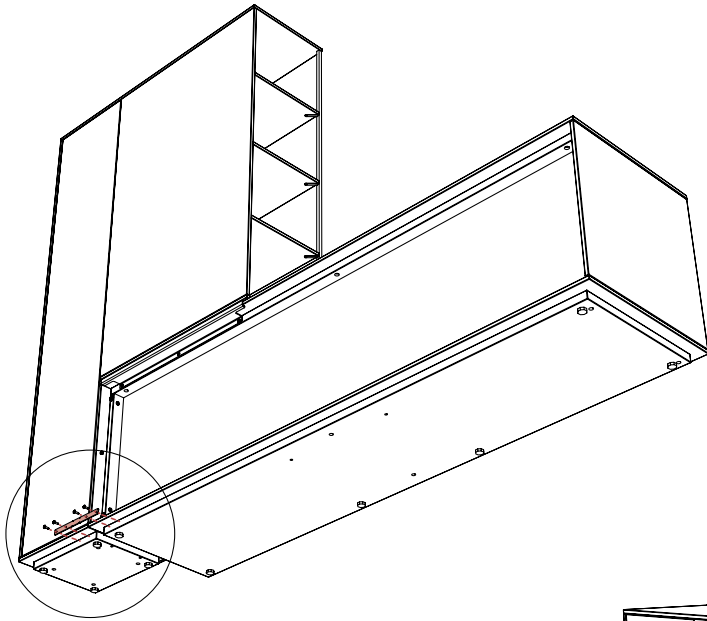
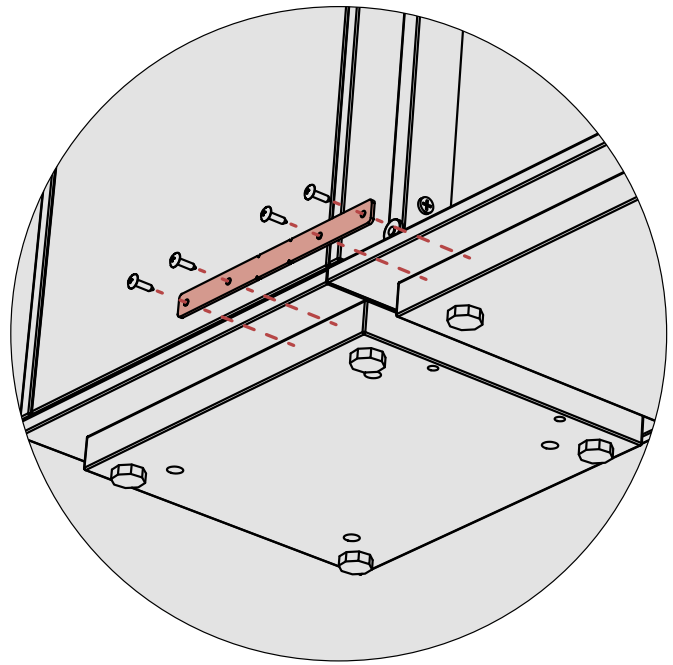


3. Mount Back Lower Bracket

Place the flat bracket onto the backside of the plinths of both the secondary storage and the credenza. Attach with (4) wood screws.



#10x3/4" Pan Head
Wood Screw, Black
(122875)



4. Attach Optional Back Panel

An optional panel may be ordered if the back of the cabinet sits exposed. Cover the back with the optional back panel, and hook the two metal bracket ends of the panel to the bushings on the inside of the credenza side panels. The panel will be held in place with magnets on top and bottom.

