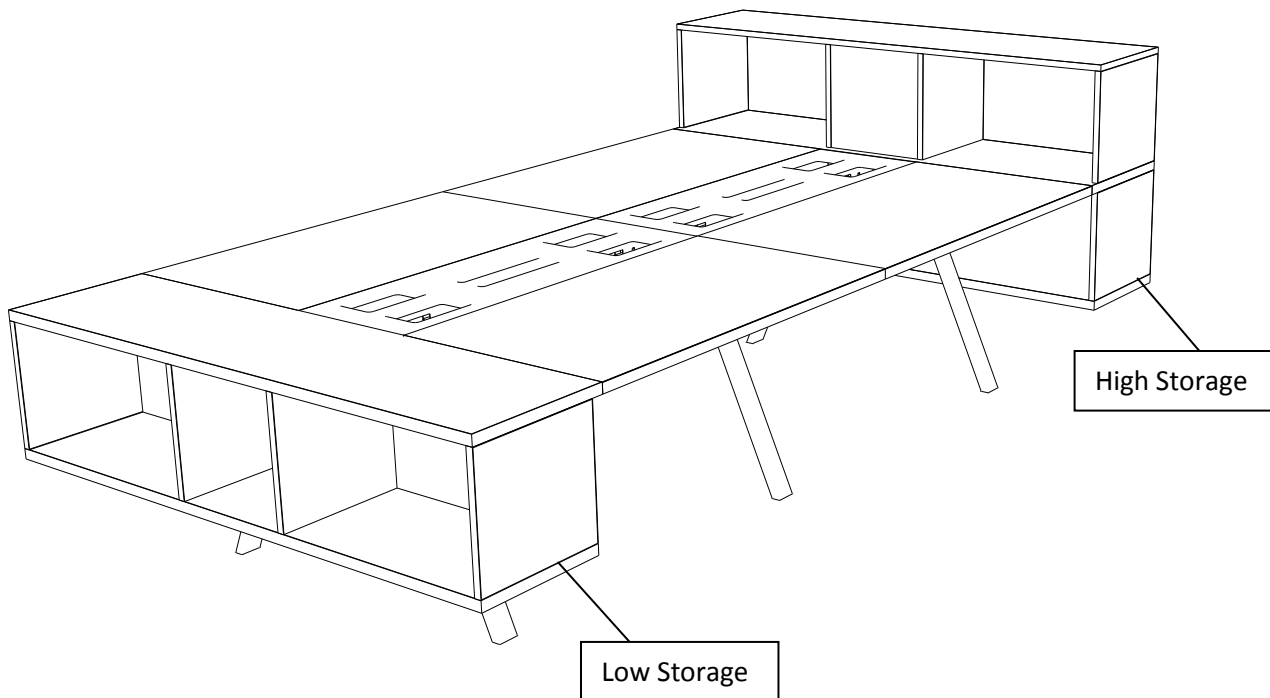


# Tonic Bench End Storage Assembly Instructions

## Tools Required

Cordless drill, 5/32" driver bit, magnetic insert-bit holder, #2 Insert or Pozidriv bit, 7/16" open end wrench

ITEM NO.	COMPONENT	QTY
A	BEAM SUPPORT	2 per bench
B	END STORAGE CABINET	VARIES
C	TITE JOINT HARDWARE	2 per cabinet
D	SEAM PLATE	2 per cabinet
E	BEAM SUPPORT CAPS	2 per cabinet
F	#10 X 1" SMS SCREW, TRUSS HEAD	12



# Tonic Bench End Storage Assembly Instructions

## Step 1 – Cabinet onto bench

Slide the cabinet onto the beam supports that extend from the end of the bench.

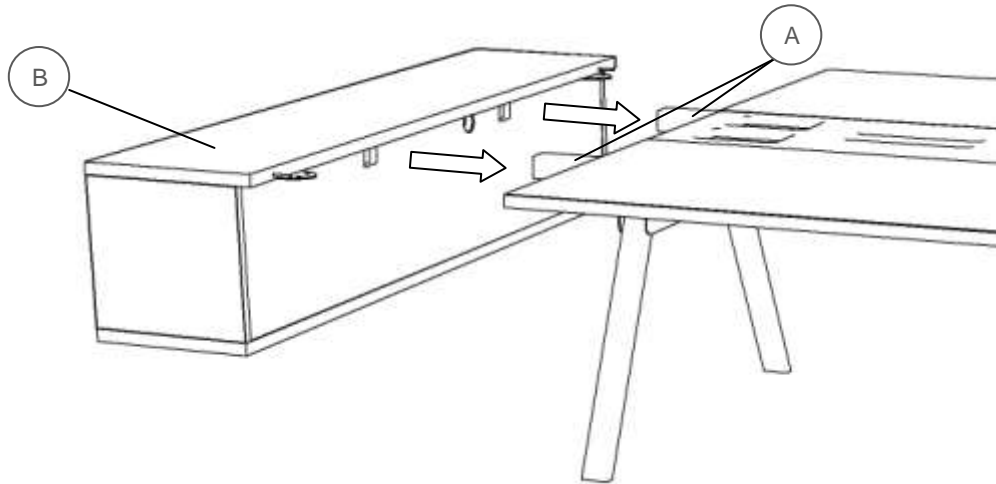


Figure 2

## Step 2 – Align and fasten cabinet to bench

Place the Tight Joint hardware plates over the threaded studs that extend from the rear of the top of the cabinet. Turn the hex nuts onto the studs using a 7/16" open end wrench. (D)

Install #10 screws through the leg assembly into the underside of the top of the cabinet. Tighten.

Install #10 screws through the seam plates (E) and into the underside of the top of the cabinet.

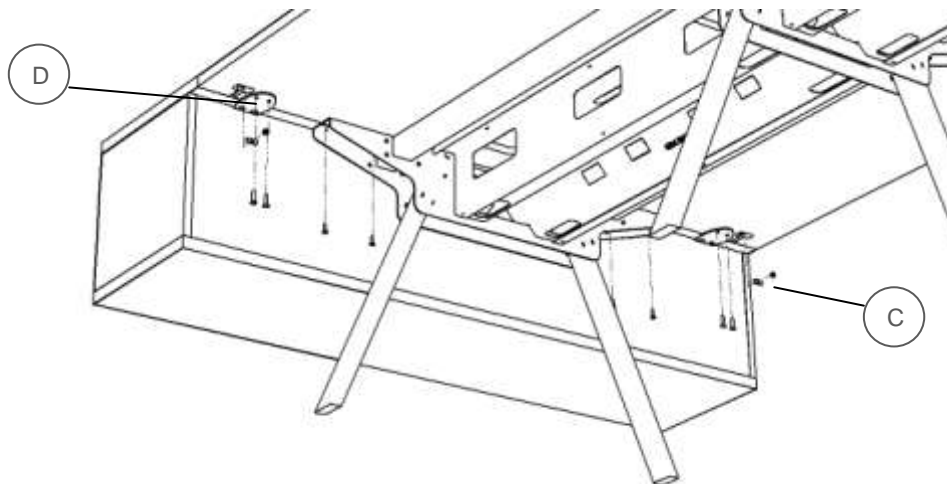


Figure 3

# Tonic Bench End Storage Assembly Instructions

## Step 3 – Install end caps

Fit the end caps over the support tubes and fasten into the underside of the cabinet top panel using wood screws.



Figure 4

Operating, maintenance, and installation instructions are available at <https://watsonfg.box.com/installation>