

Tonic NY Electric Infeed Assembly Instructions

WARNING - Risk of Fire or Electric Shock. It is possible for this office furnishing system to be connected to more than one source of supply. Disconnect all sources prior to any servicing. A single circuit shall not be powered by more than one source.

WARNING – Electrical connection between table segments shall be disconnected prior to removal of a mechanical connection.

WARNING - The system may be supplied by a three phase power system with four individual circuits rated at 20 amps/120 volts maximum, or as permitted by local code.

Note: Installation must be in accordance with the National Electrical Code and local codes. Electrically interconnected tables need to be mechanically connected.

Tools Required

Cordless drill, #2 insert or Pozidriv bit

ITEM NO.	COMPONENT	QTY
A	NY ELECTRIC INFEEED BRACKET	1
B	NY INFEEED JUNCTION BOX	1
C	MULTI CIRCUIT POWER WHIP	1

Step 1 – Connect to power source

Remove cover from junction box. Insert the end of the power whip that has loose wires through coupling into junction box. Tighten coupling to clamp conduit. Remove knock-out from junction box. Install electrician supplied coupling. Insert wires and conduit from building power. Make electrical connections. Reattach cover onto junction box.

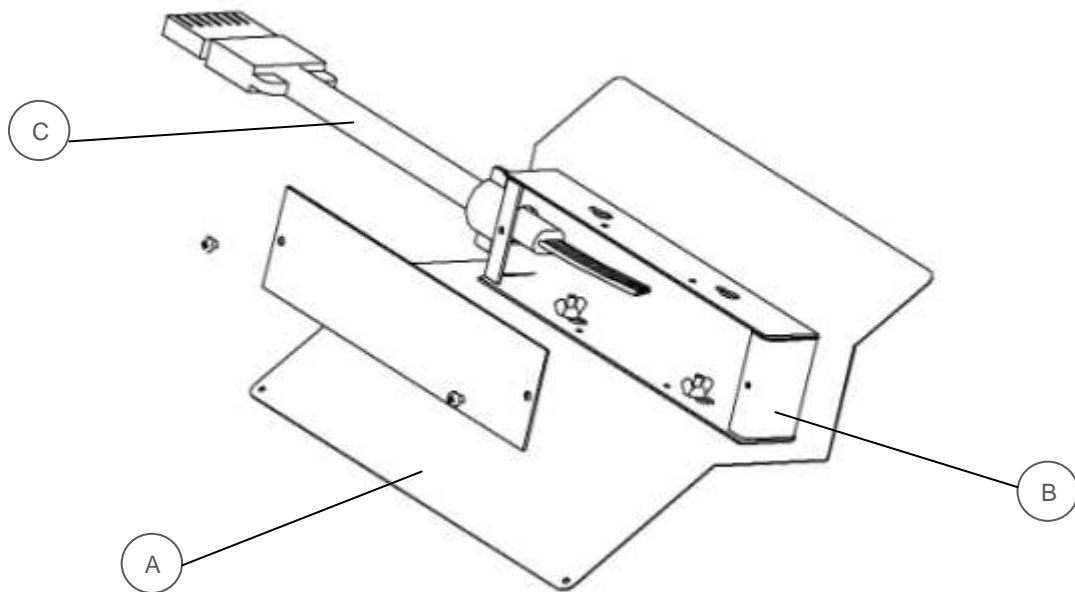


Figure 1

Tonic NY Electric Infeed Assembly Instructions

Step 2 – Install onto Tonic Bench

Once connected to building power, install the bracket and junction box onto the Tonic Bench. Insert the flanges of the bracket between the lip of the Bench's trough and the raceway housing. Fit one side in, raise the bracket and slide the bracket slightly so that the opposite flange is also captured. Attach the female end of the power whip to a power block in the raceway.

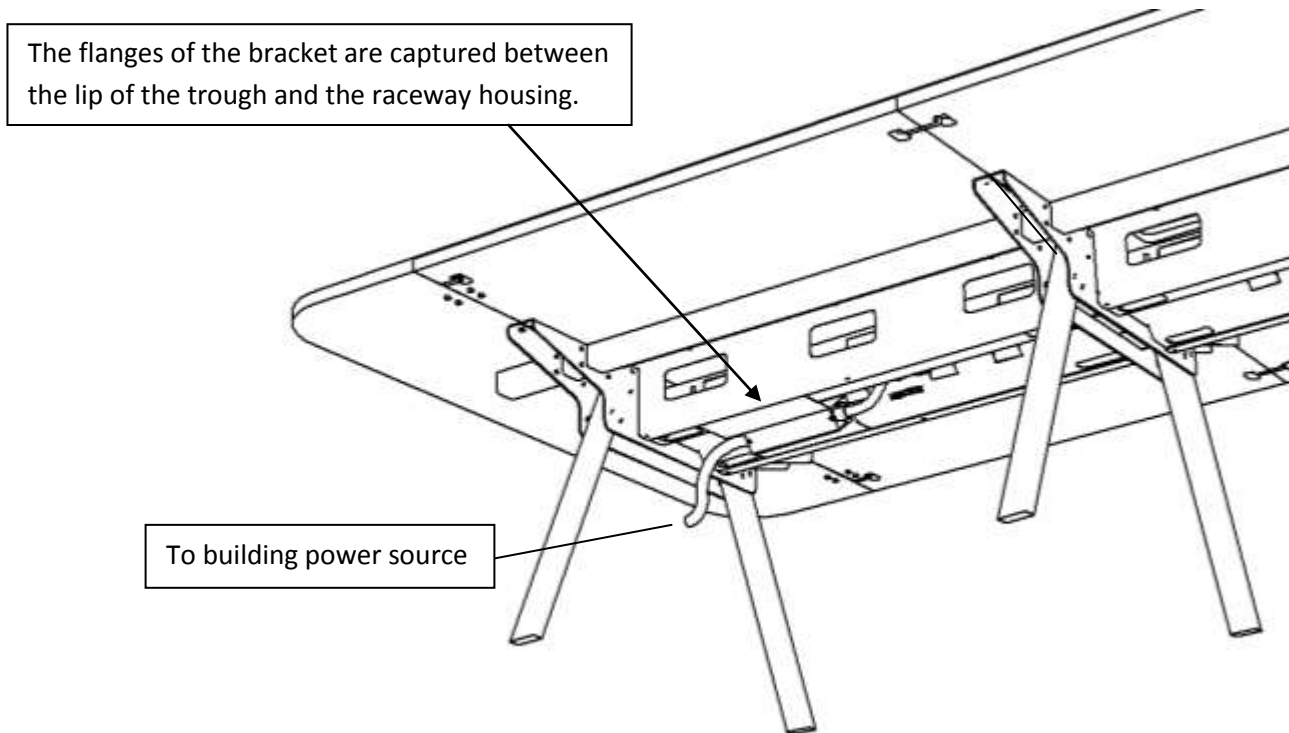


Figure 2

Operating, maintenance, and installation instructions are available at <https://watsonfg.box.com/installation>