

# Tonic Inno Table Assembly Instructions

## Tools Required

Cordless drill, magnetic insert-bit holder, 8" or longer driver extension, #2 insert or Pozidriv bit

ITEM NO.	COMPONENT	QTY
A	ROTATING TOP ASSEMBLY	1
B	OUTER TABLE TOP RING	1
C	LEG	4
D	#10 x 1" CROSS DRIVE, PAN HEAD SCREWS	32

## Step 1 – Position top components

Place the rotating top assembly (A) top-side down on a flat floor. Place the outer table top ring (B), top-side down, over the rotating top assembly. Rotate the sub top so that the groups of 5 pilot holes are roughly aligned with the groups of 3 pilot holes in the outer table top ring.

NOTE: Be sure the floor is cleaned of any debris that might scratch the table top surfaces.

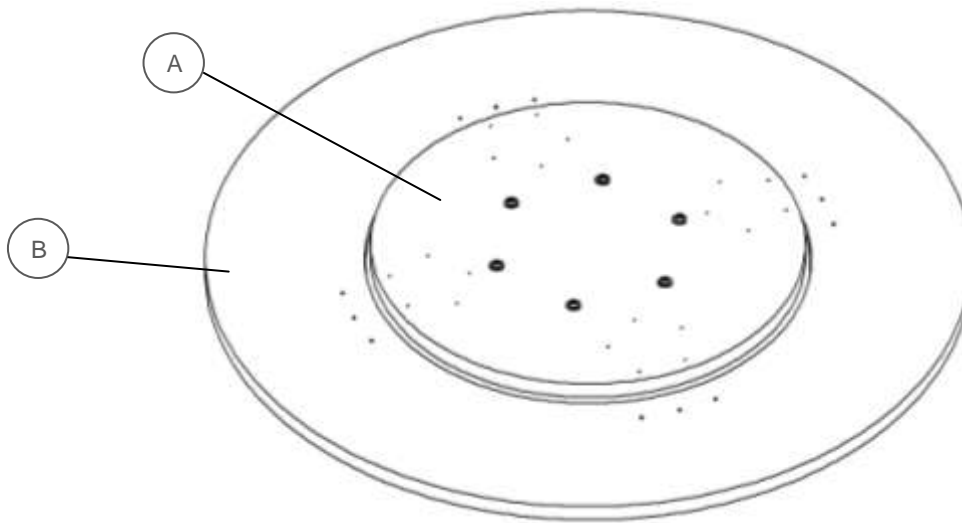


Figure 1

# Tonic Inno Table Assembly Instructions

## Step 2 – Attach legs

Place a leg onto the tops so that the holes in the bracket align with those in the rotating top assembly. Drive five screws through the holes in the bracket which surround the leg into the sub top. A driver extension will be required to reach the screws nearest the edge of the sub top. Repeat this for the remaining three legs.

Rotate the legs and sub top, if necessary, so that the outer three holes in each of the leg brackets are aligned with the holes in the outer top ring. Drive three screws through the holes in the brackets and into the outer top ring.

Turn the table assembly upright.

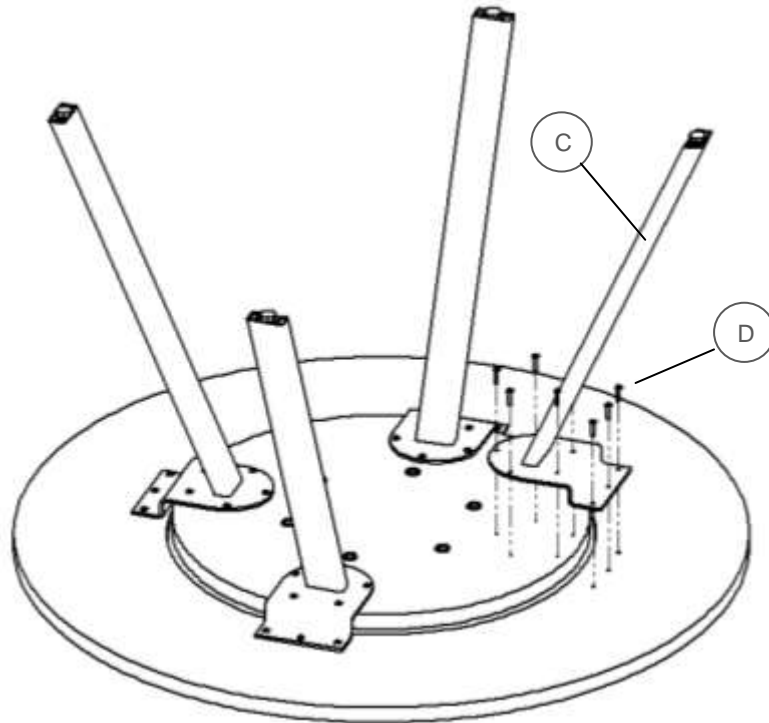


Figure 2

Operating, maintenance, and installation instructions are available at <https://watsonfg.box.com/installation>