

Tonic Side Screen Mounting Instructions

ITEM NO.	COMPONENT	QTY
A	SIDE SCREEN ASSEMBLY	1
B	SIDE SCREEN MOUNTING BRACKET	1
C	#10 x 1" CROSS DRIVE, PAN HEAD SCREWS	1

Step 1 – Slip bracket into dado arrow A in Figure 1.

Step 2 – Slide screen into table – see arrow B. Secure using screw provided.

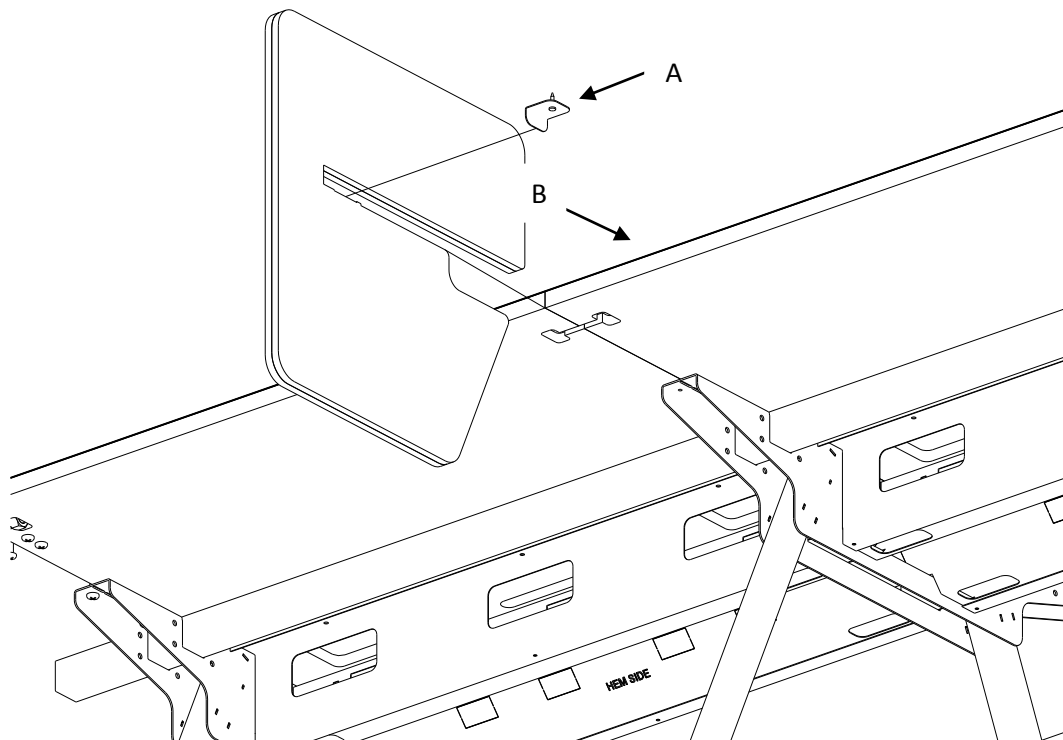


Figure 1

Operating, maintenance, and installation instructions are available at <https://watsonfg.box.com/installation>