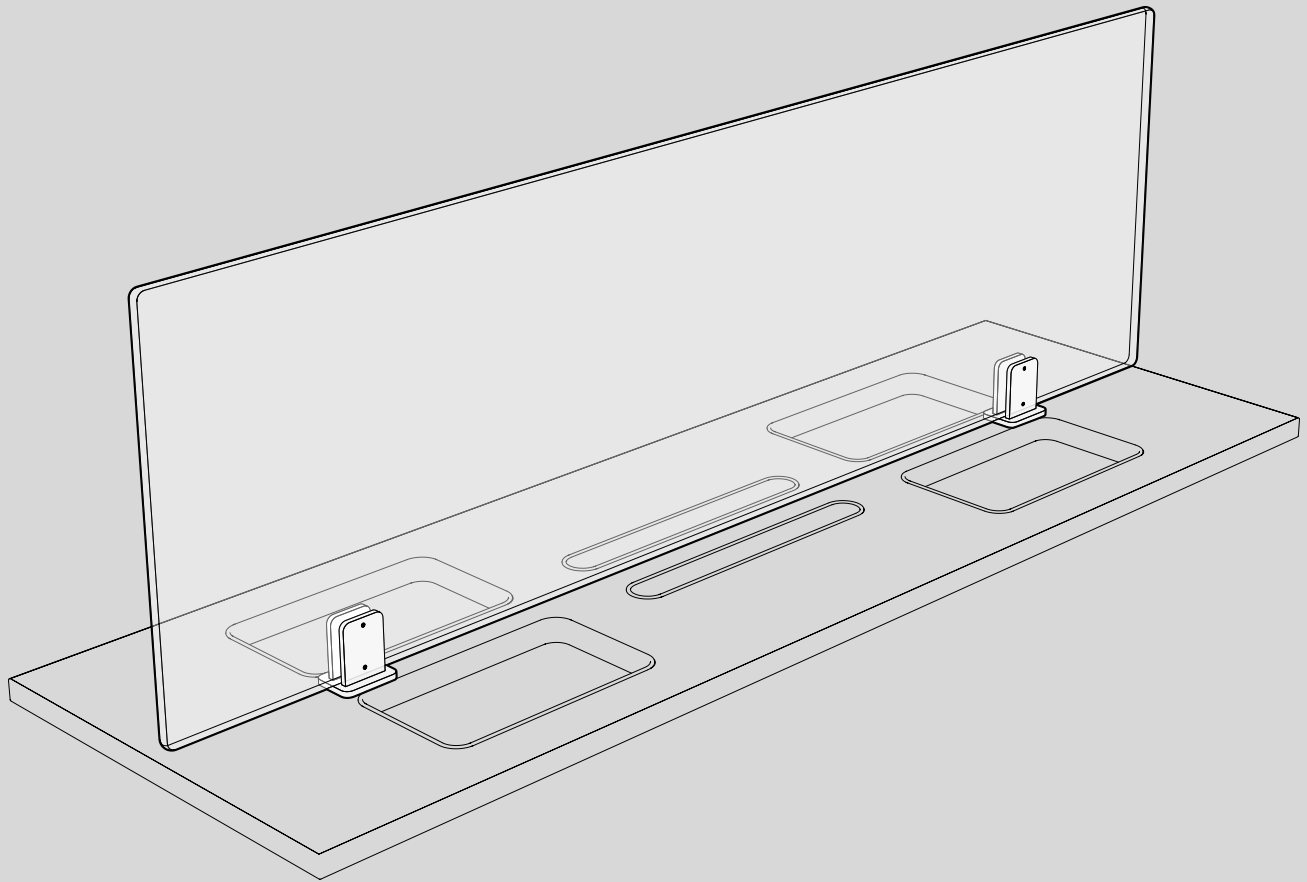
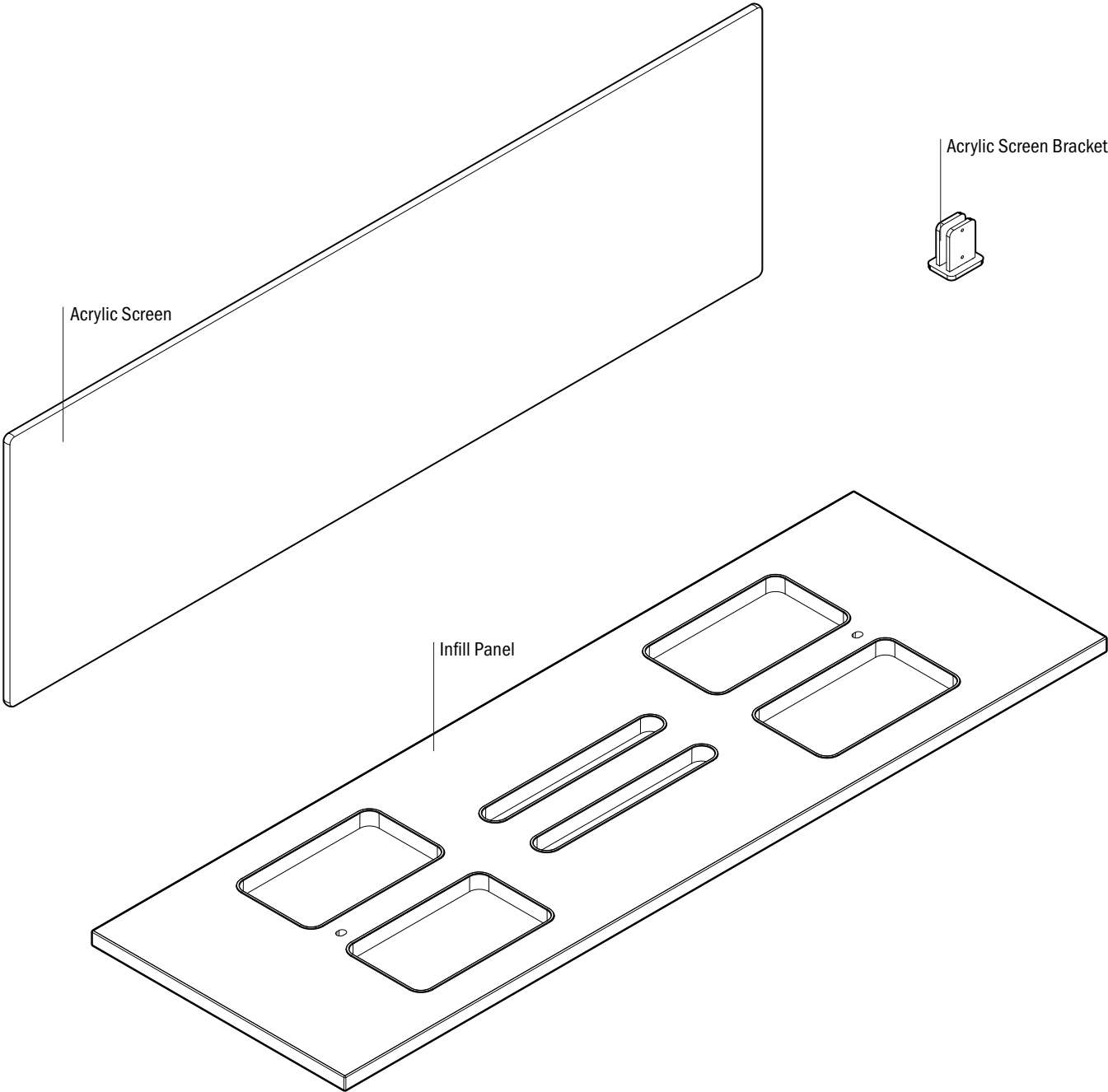


ASSEMBLY

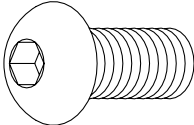
Tonic Acrylic Infill Screen



Tonic Acrylic Infill Screen Basic Components



Hardware

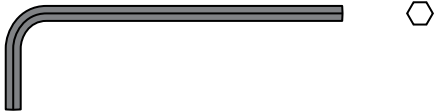


BHSCS 5/16-18 x 3/4"
Black (124755)



M4-0.7 X 5mm
Flat Tip Set Screw
(0001612)

Tools



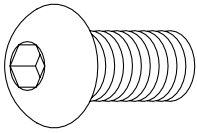
3/16" Allen Wrench



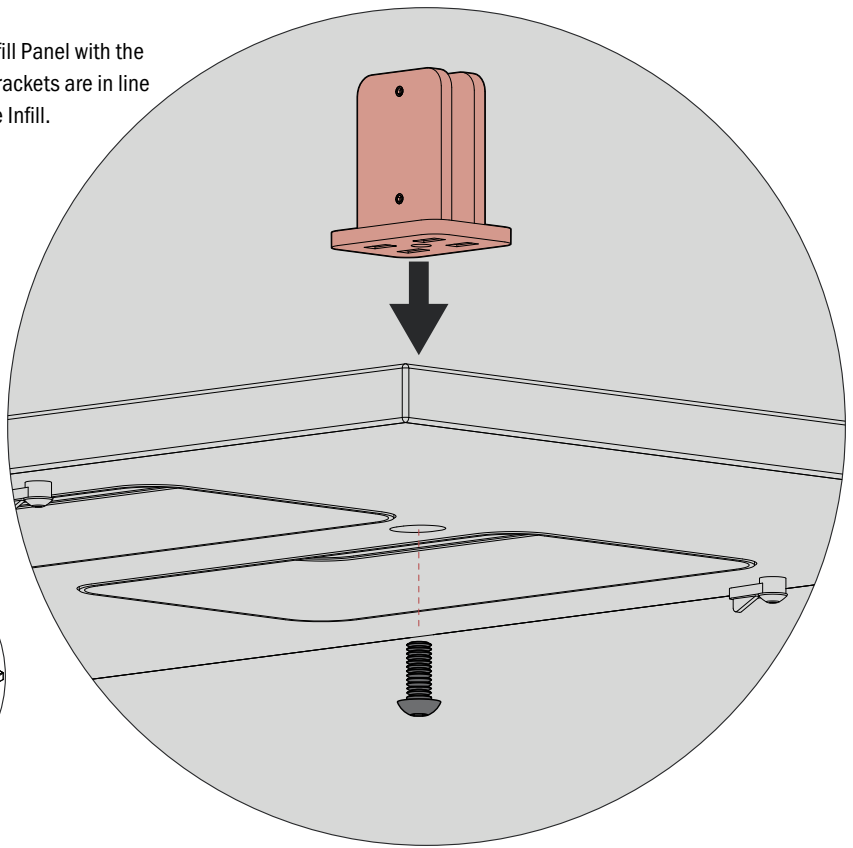
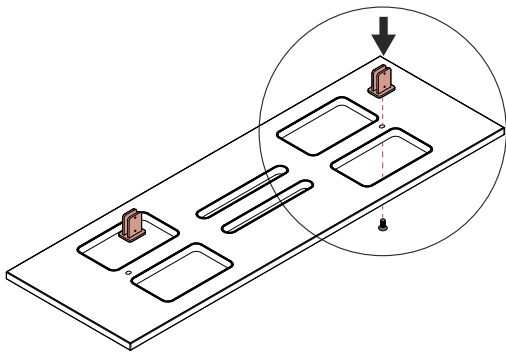
2mm Allen Wrench

1. Attach Brackets to Infill Panel

Connect the Acrylic Screen Brackets to the Infill Panel with the provided screws (124755). Ensure that the brackets are in line with each other and parallel to the edge of the Infill.



BHSCS 5/16-18 x 3/4"
Black (124755)

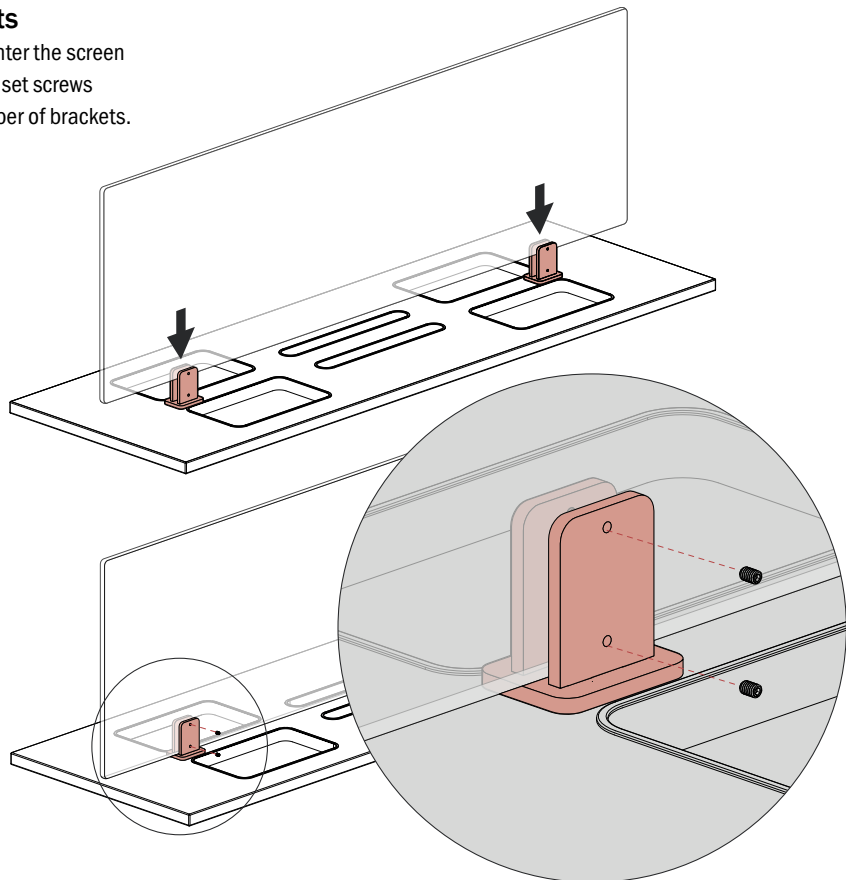


2. Attach Acrylic Screen to Brackets

Slide the Acrylic Screen into the brackets. Center the screen in relation to the Infill Panel and attach 4 or 8 set screws (0001612) depending on the width and number of brackets.



M4-0.7 X 5mm
Flat Tip Set Screw
(0001612)



3.

Place Infill Assembly in Table

Place the Infill assembly in the table and turn the security clips to lock the assembly in place.

