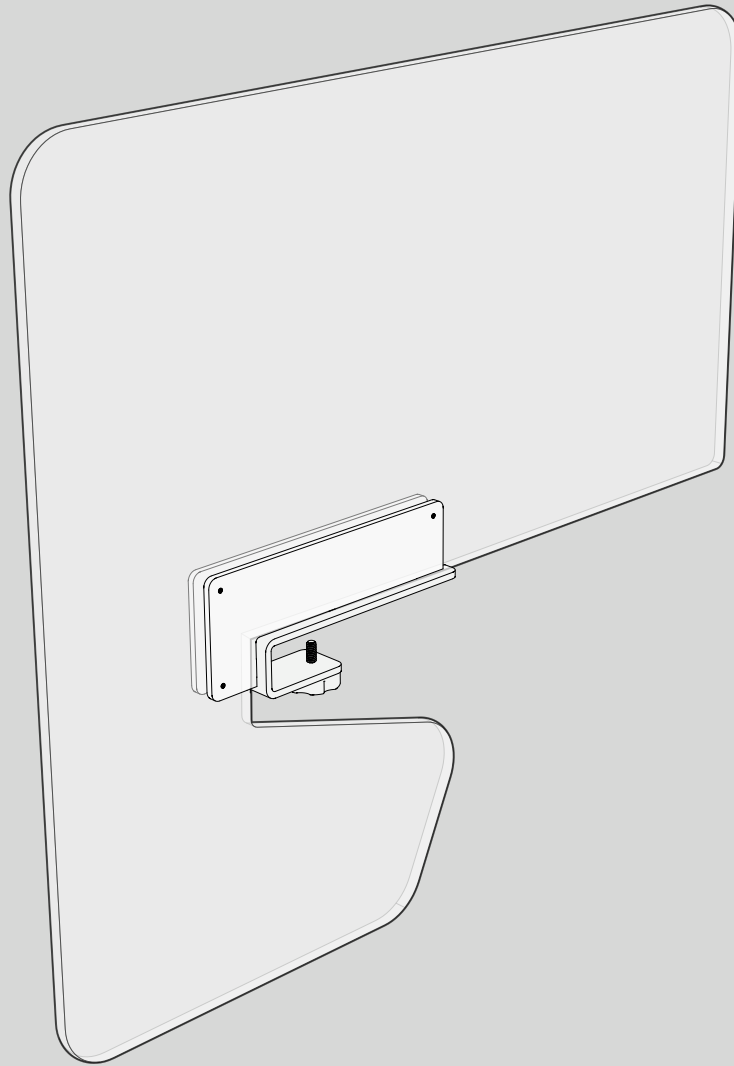
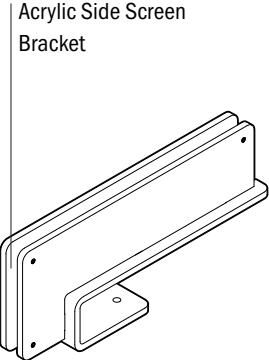
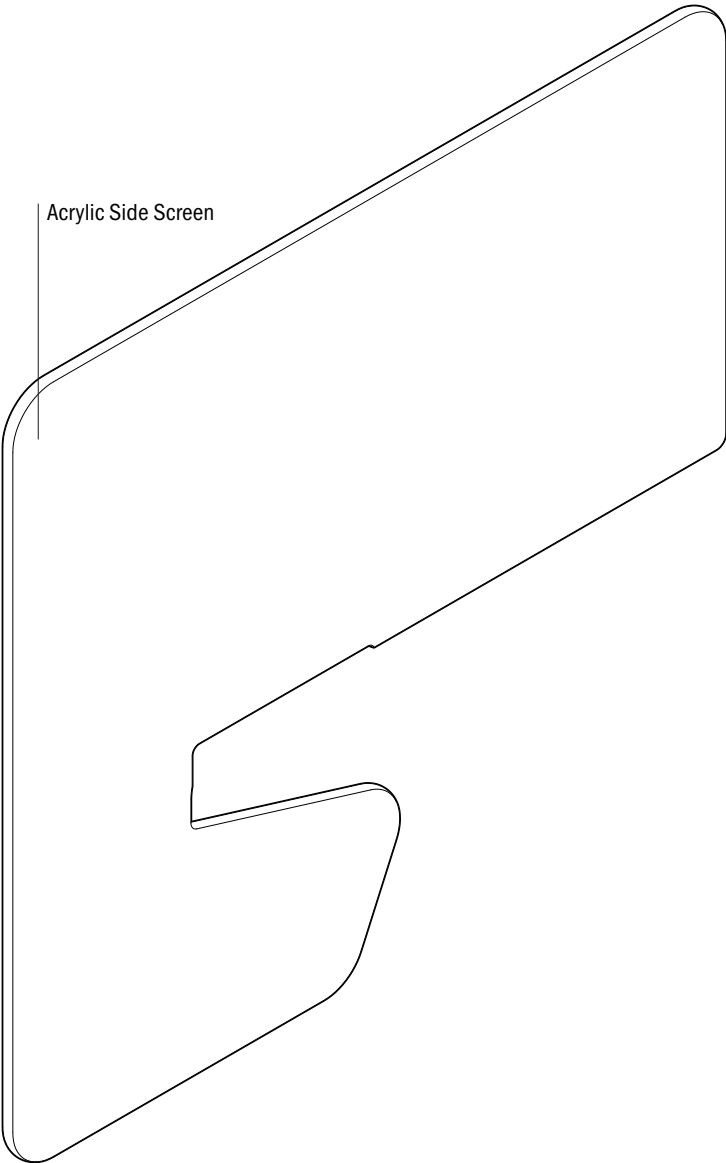


ASSEMBLY

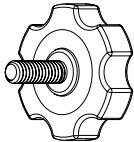
Tonic Acrylic Side Screen



Tonic Acrylic Side Screen Basic Components



Hardware



Thumbscrew (0001011)



M4-0.7 X 5mm
Flat Tip Set Screw
(0001612)

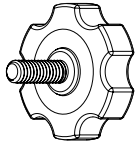
Tools



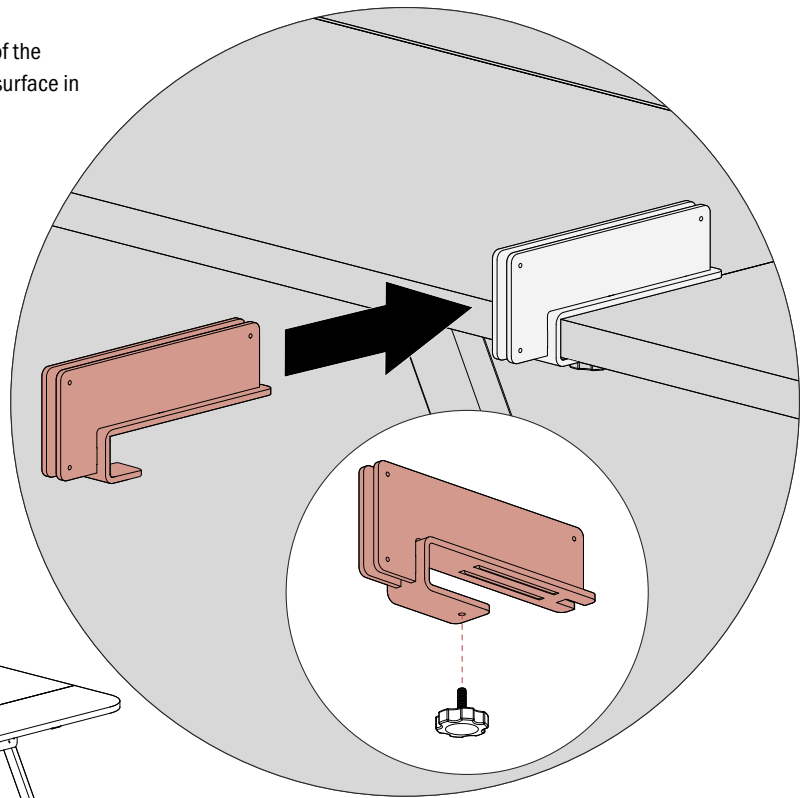
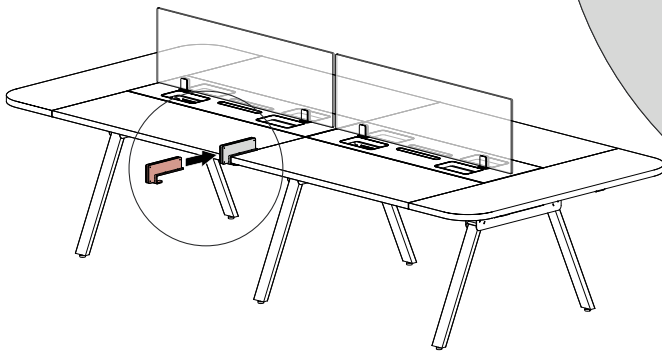
2mm Allen Wrench

1. Attach HW to Bracket

Attach the thumbscrew (0001011) to the bottom of the bracket. Slide the bracket assembly onto the worksurface in the desired position and tighten the thumbscrew.



Thumbscrew (0001011)



2. Secure Acrylic in Bracket

Slide the acrylic screen into the bracket. Thread in 3 set screws (0001612) and tighten until screen is secure.



M4-0.7 X 5mm Flat Tip
Set Screw (0001612)

