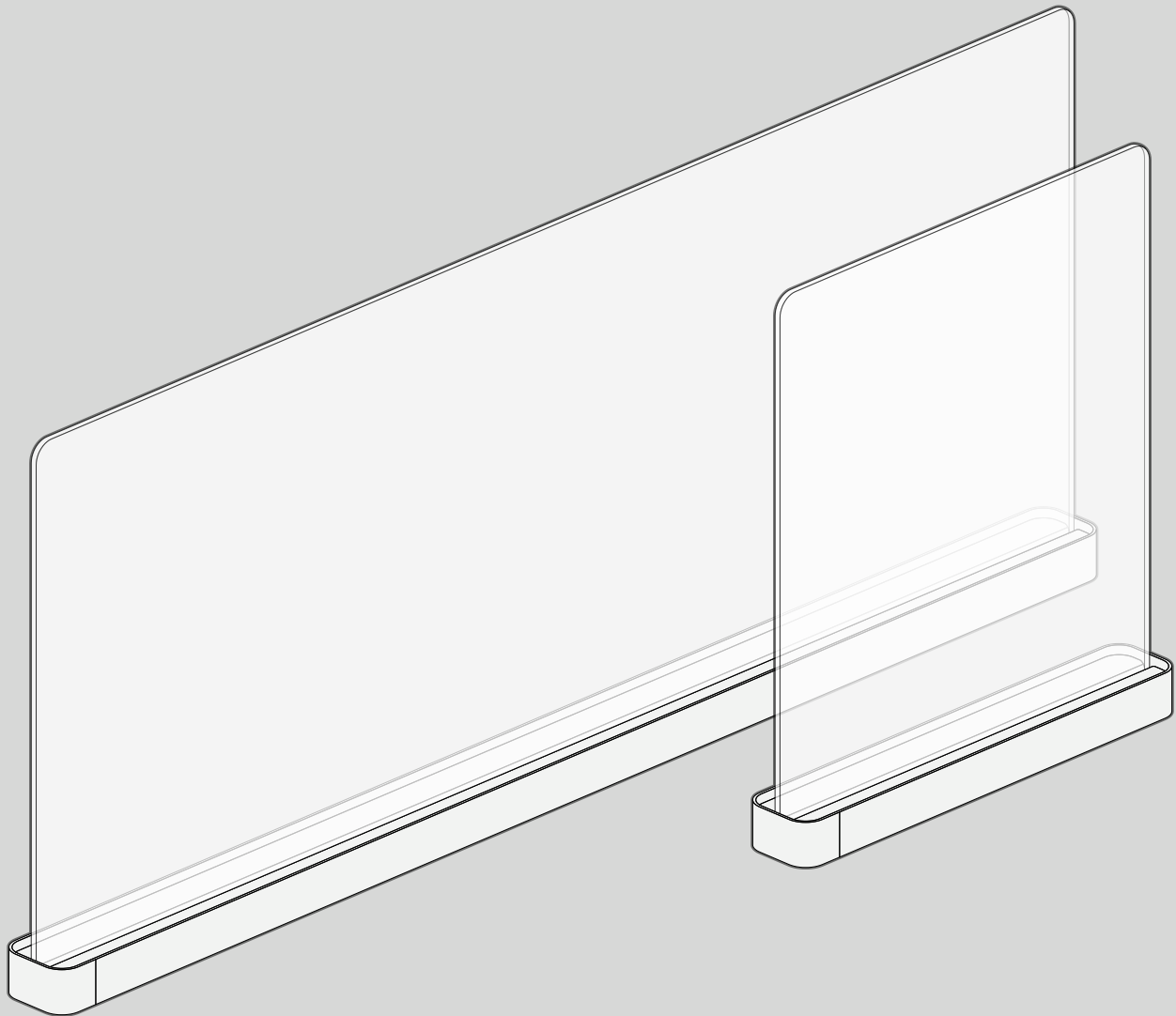
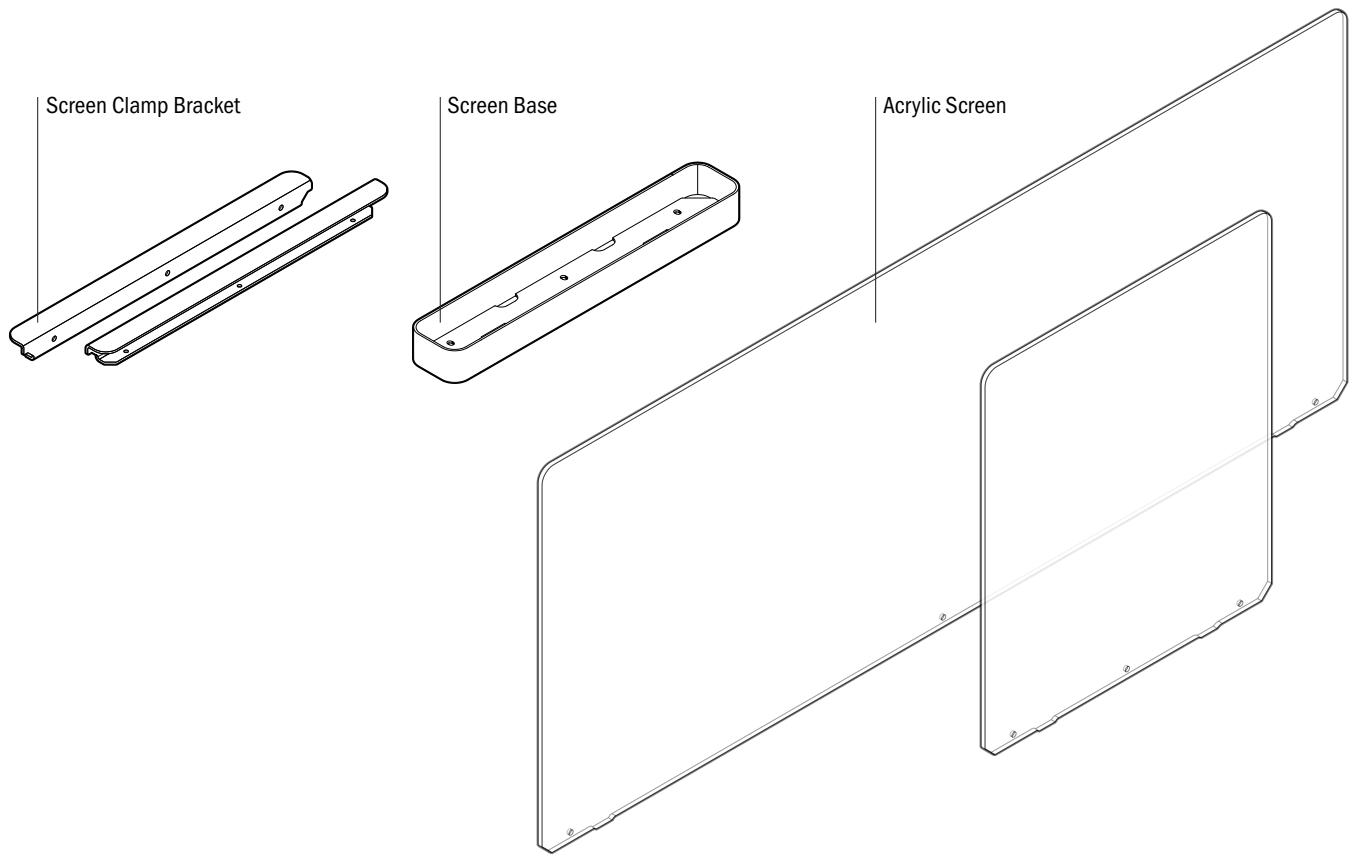


ASSEMBLY

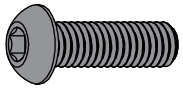
Watson Desktop Acrylic Screen



Desktop Acrylic Screen Basic Components



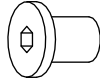
Hardware



M6 X 20mm Button Head
CapScrew (0001021)

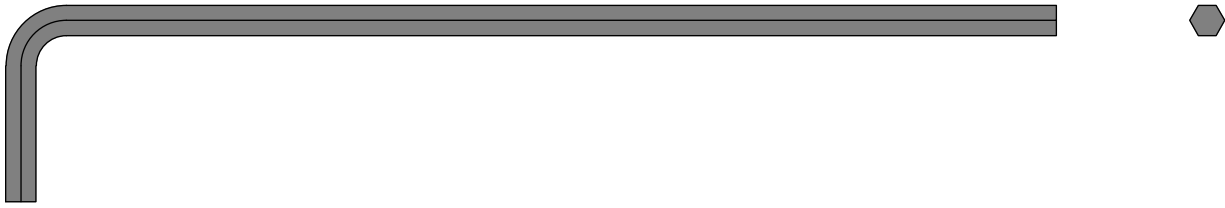


M6-1x12mm Nylock Nut
(888152)

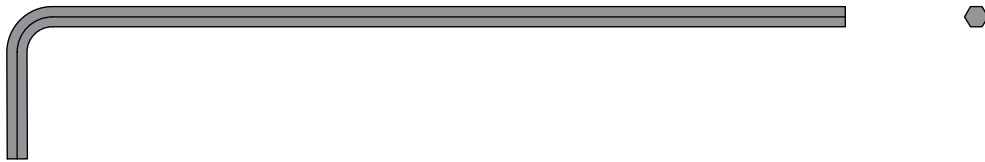


M6-1.0 X 8mm Low Profile
Cap Screw (0001259)

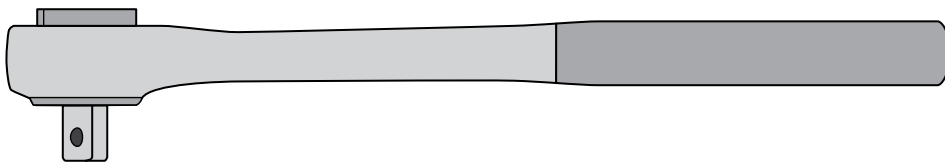
Tools



4mm Hex Key



3mm Hex Key



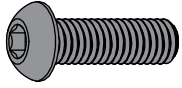
Socket Wrench



10 mm Socket Short

1. Attach Clamp Brackets

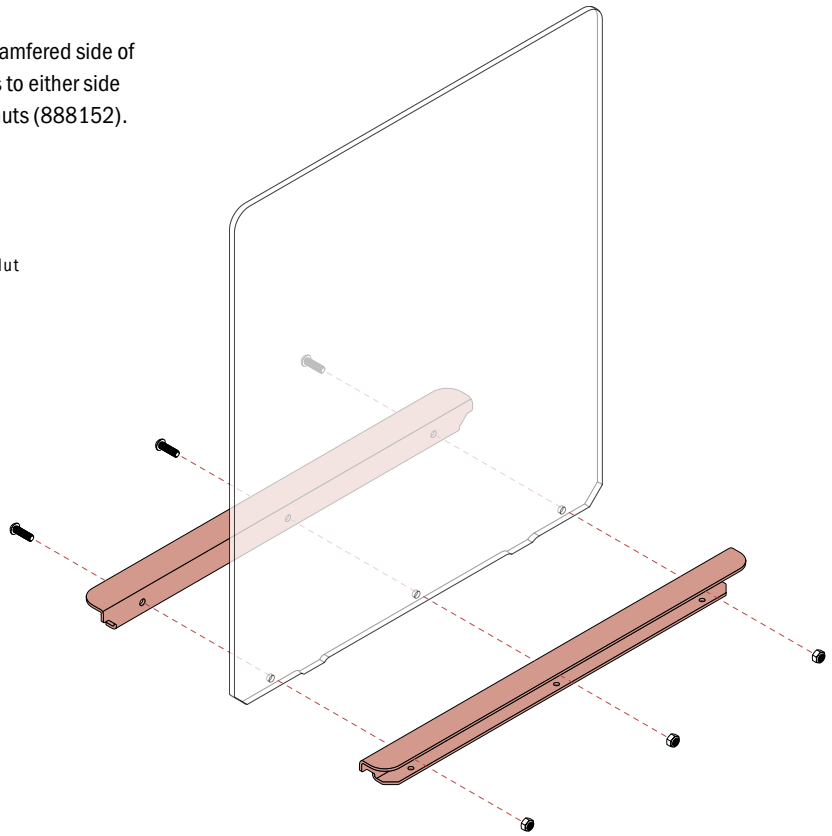
Align clamp brackets to holes on screen with chamfered side of bracket facing outwards. Attach clamp brackets to either side of acrylic screen using 3 bolts (0001021) and nuts (888152).



M6 X 20mm Button Head
CapScrew (0001021)

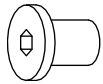


M6-1x12mm Nylock Nut
(888152)



2. Attach Screen to Base

Slide the acrylic screen bracket assembly into the base. Align tabs on the bottom of the screen with internal slots. Attach with 6 screws (0001259).



M6-1.0 X 8mm Low Profile
Cap Screw (0001259)

