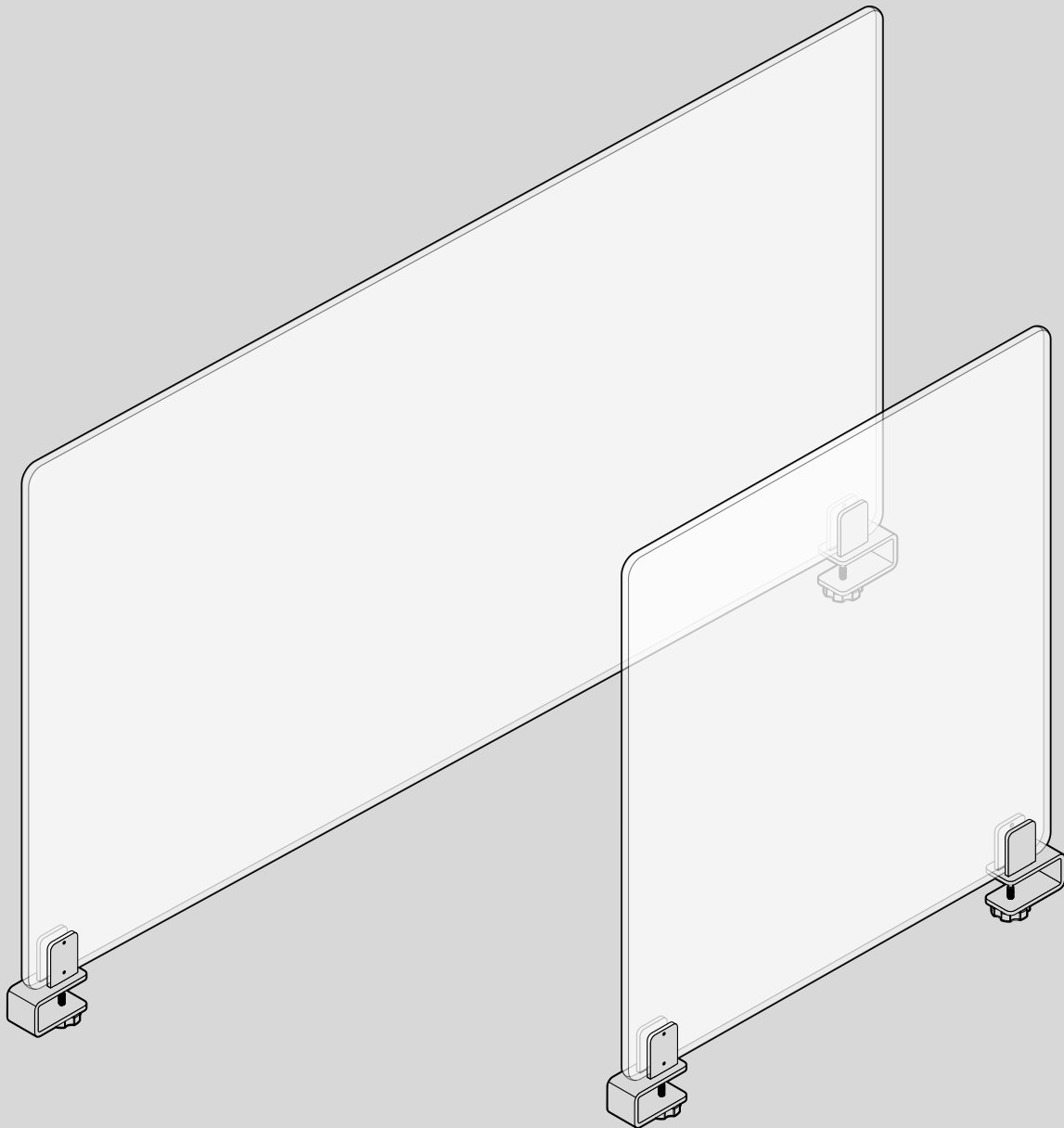
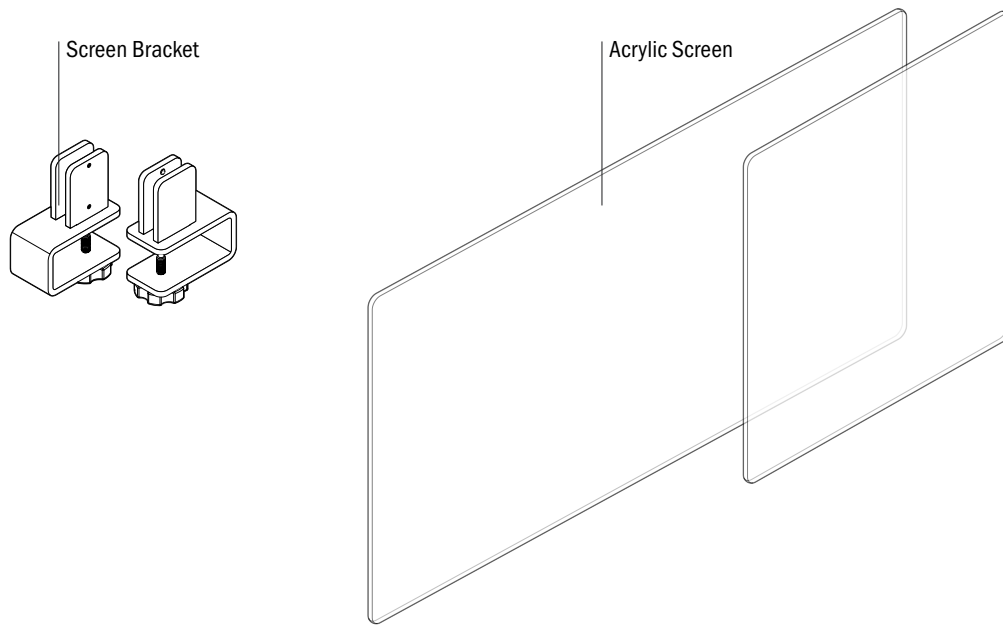


# ASSEMBLY

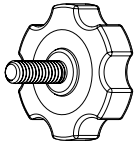
## Watson Mid-Span Acrylic Screen



# Mid-Span Acrylic Screen Basic Components



# Hardware

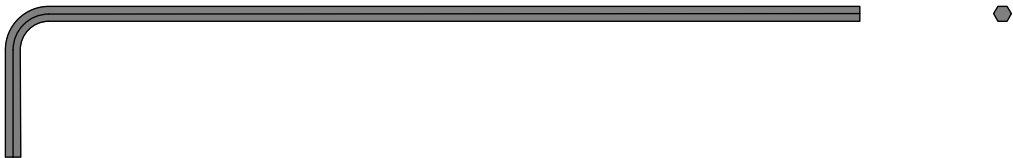


Thumbscrew (0001011)



M4-0.7 X 5mm  
Flat Tip Set Screw  
(0001612)

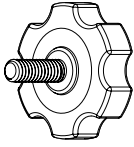
# Tools



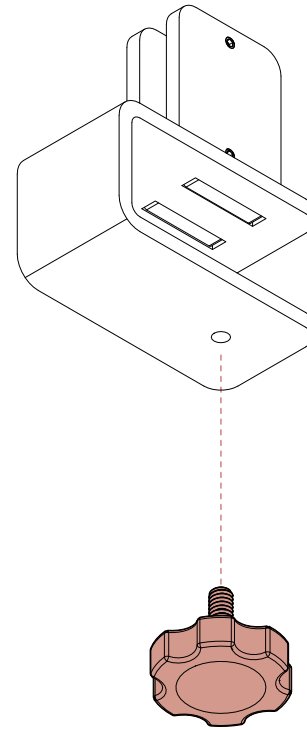
2mm Allen Wrench

# 1. Mount Bracket to Surface

Attach the thumbscrew (0001011) to the bracket. Slide the bracket onto the worksurface in the desired position and tighten the thumb screw.



Thumbscrew (0001011)



# 2. Secure Acrylic in Bracket

(A) Slide the acrylic screen into the brackets. (B) Tighten 2 set screws (0001612) per bracket and tighten until screen is secure.



M4-0.7 X 5mm Flat Tip Set Screw (0001612)

