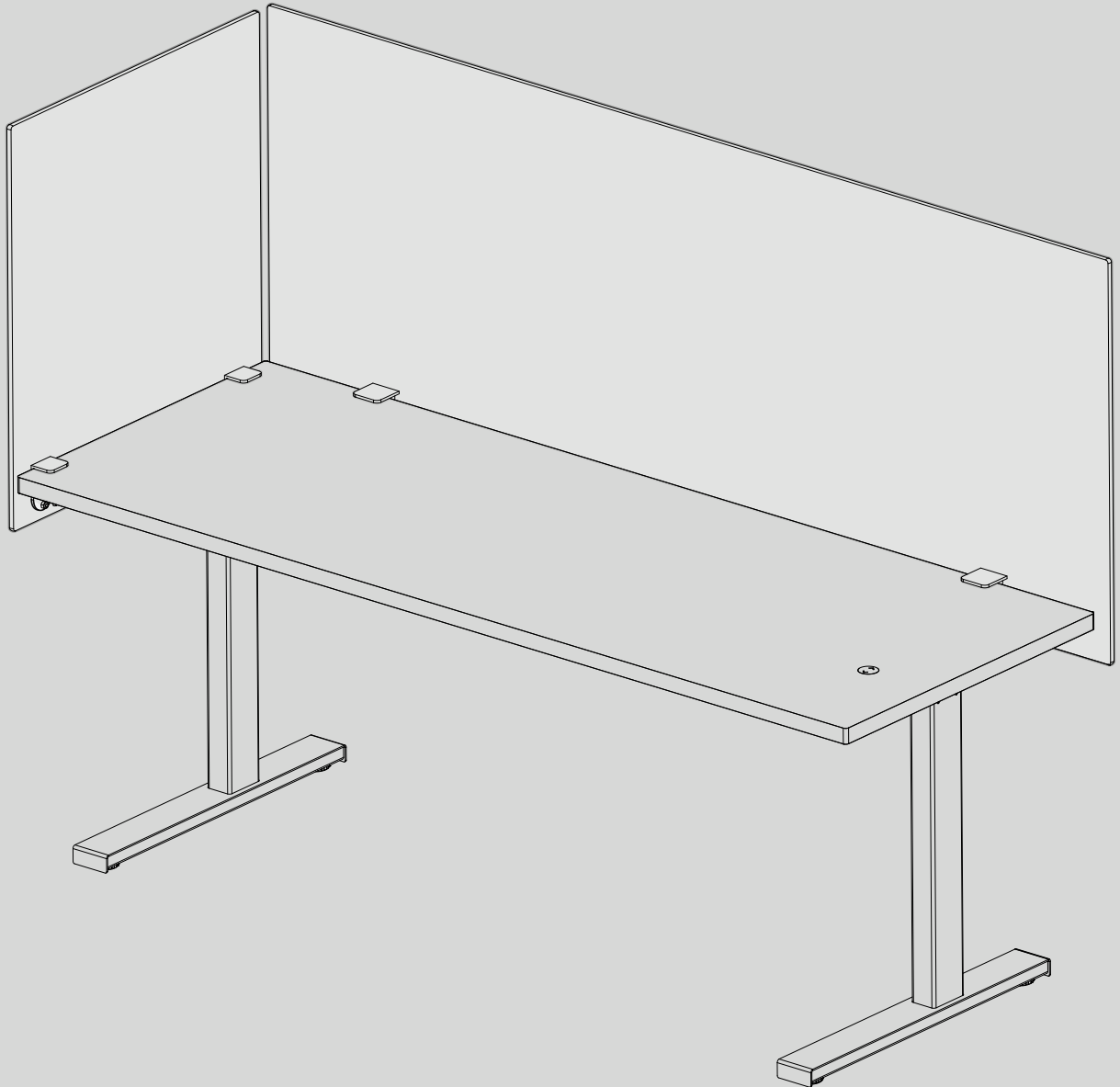
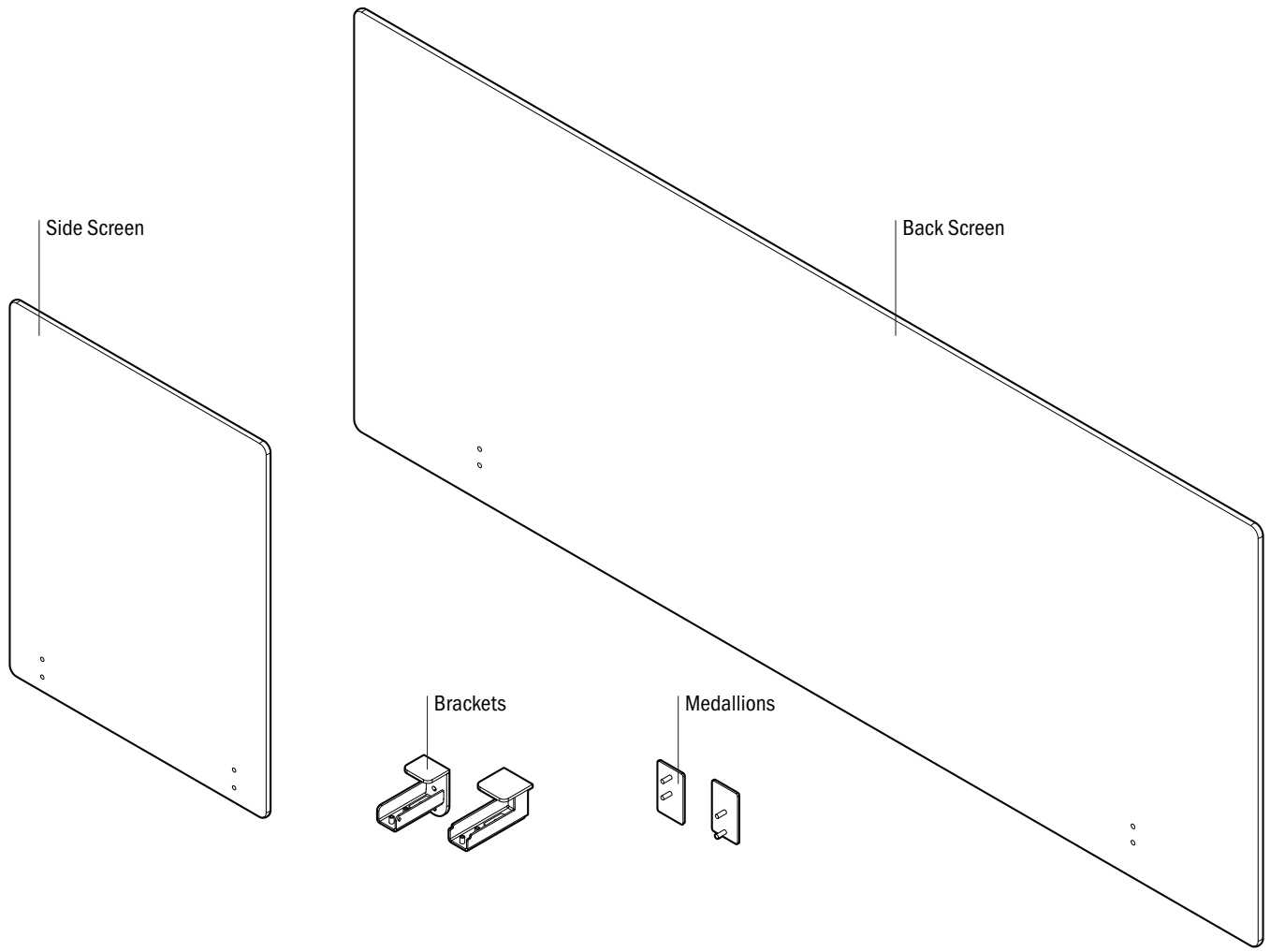


# ASSEMBLY

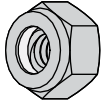
## Watson Pin & Tak Deskmount Acrylic Screen



# Acrylic Deskmount Screen Basic Components



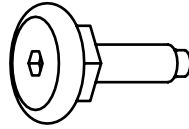
# Hardware



1/4"-20 Lock Nut,  
Zinc (090770)

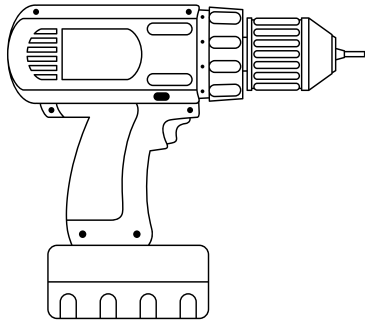


Square Drive Thread Cutting  
Screw #8x1 3/4" (0000238)



5/18-18x1" Clamping  
Screw (0000229)

# Tools



Electric Drill



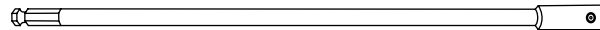
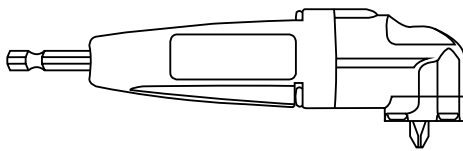
Phillips Drill/Driver Bit



2mm Hex Drill/Driver  
Bit



3mm Hex Drill/Driver  
Bit



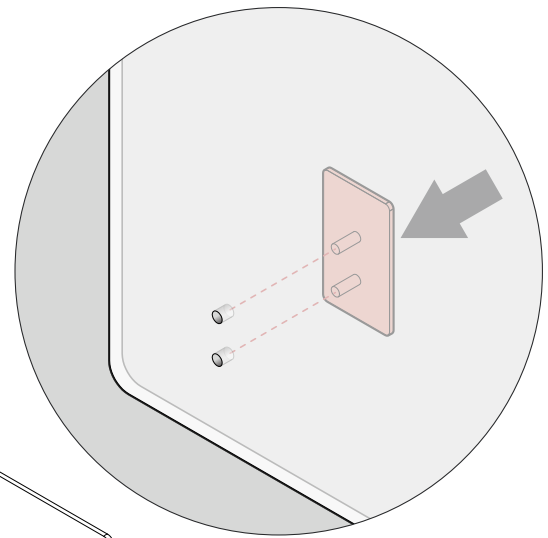
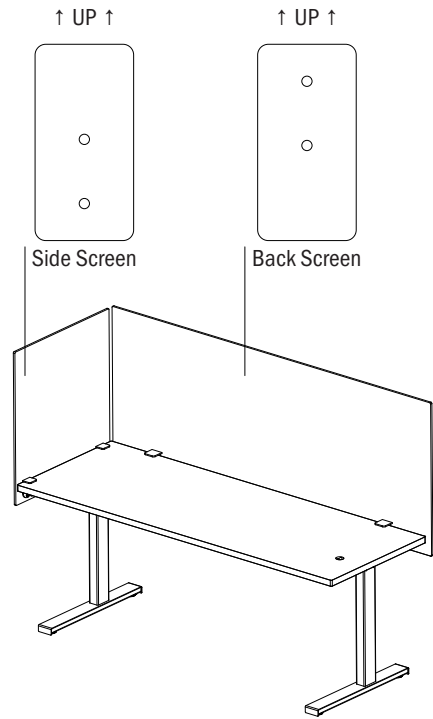
Additional tools such as a 90 Degree Bit and an 18" Extension are helpful for some steps

\*No torque or ball bits should be used

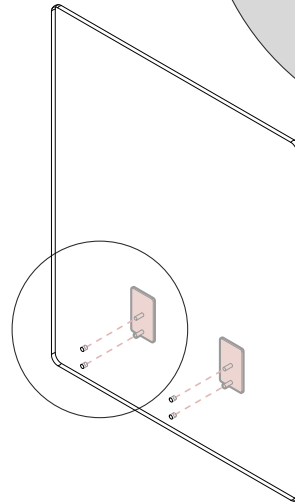
# 1. Position Medallions

Press Medallion plates into holes in acrylic until flush. Consult visual to determine orientation for Desk and Side Screen.

NOTE: Medallion orientation depends on Screen type

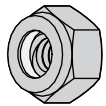


Side Screen Shown

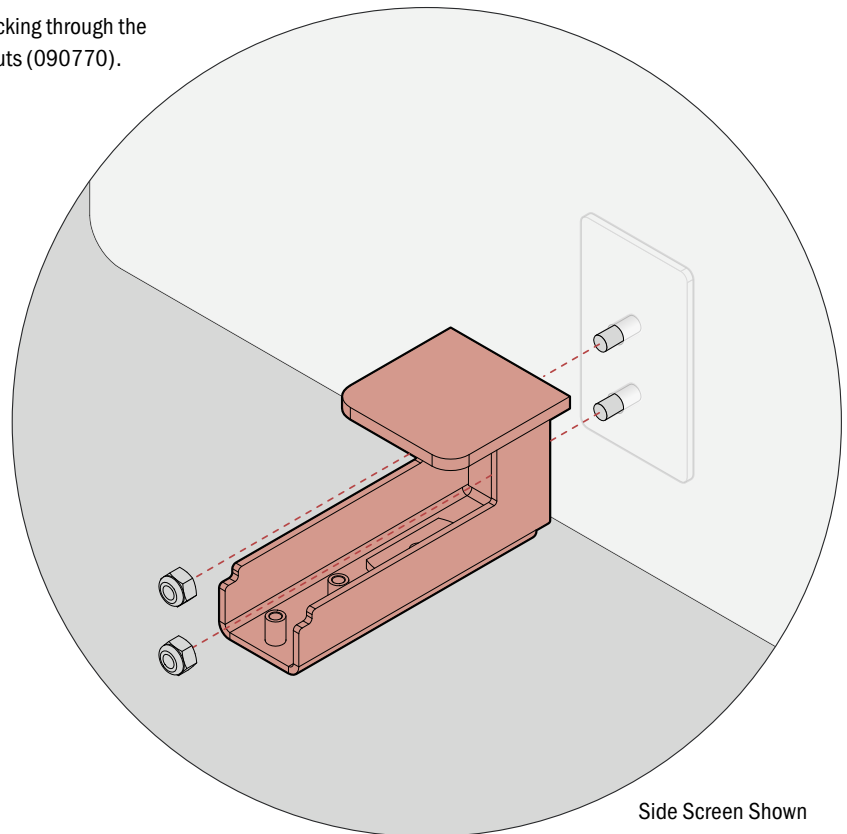
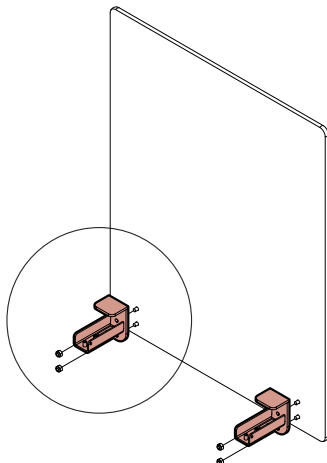


# 2. Secure Brackets

Position mounting brackets onto the studs sticking through the board and secure into place with nylon-lock nuts (090770).



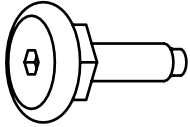
1/4-20 Lock Nut,  
Zinc (090770)



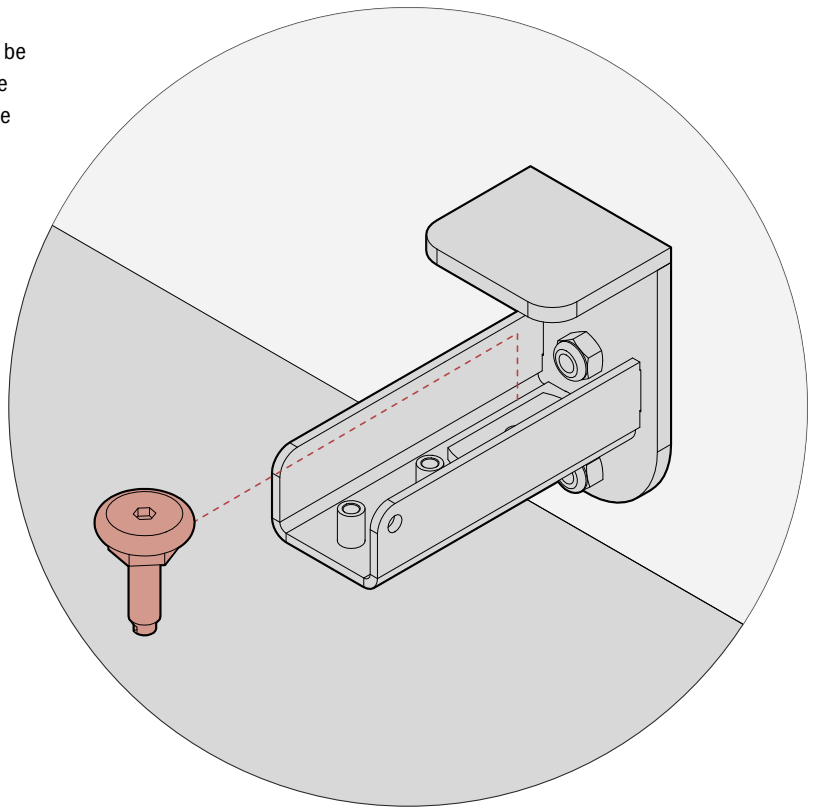
Side Screen Shown

### 3. Insert Clamping Screw

For 90 edges, the clamping screw (0000229) can be attached by screwing into the threaded hole on the back internal of the bracket. The screw should have atleast 3/4" clearance from top of bracket.



5/18-18x1" Clamping Screw (0000229)



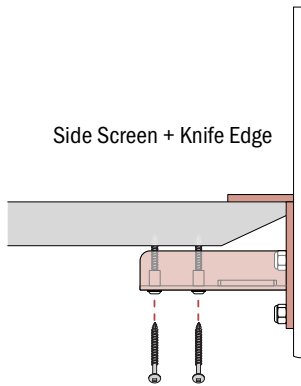
### 4. Attaching to Desk

Slide screen onto desk until bracket is flush with edge.  
If a 90 Edge, tighten clamping screw up against underside of desk.  
If a knife edge, screw wood screws (0000238) through front two holes into top.

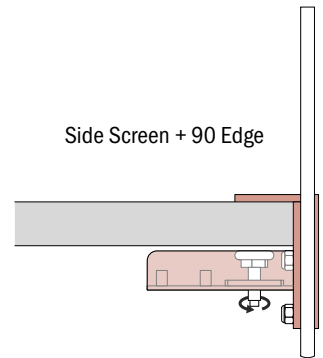


Square Drive Thread Cutting Screw #8x1 3/4" (0000238)

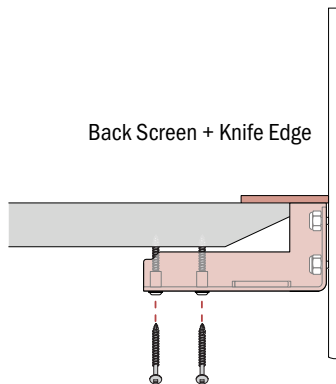
Side Screen + Knife Edge



Side Screen + 90 Edge



Back Screen + Knife Edge



Back Screen + 90 Edge

