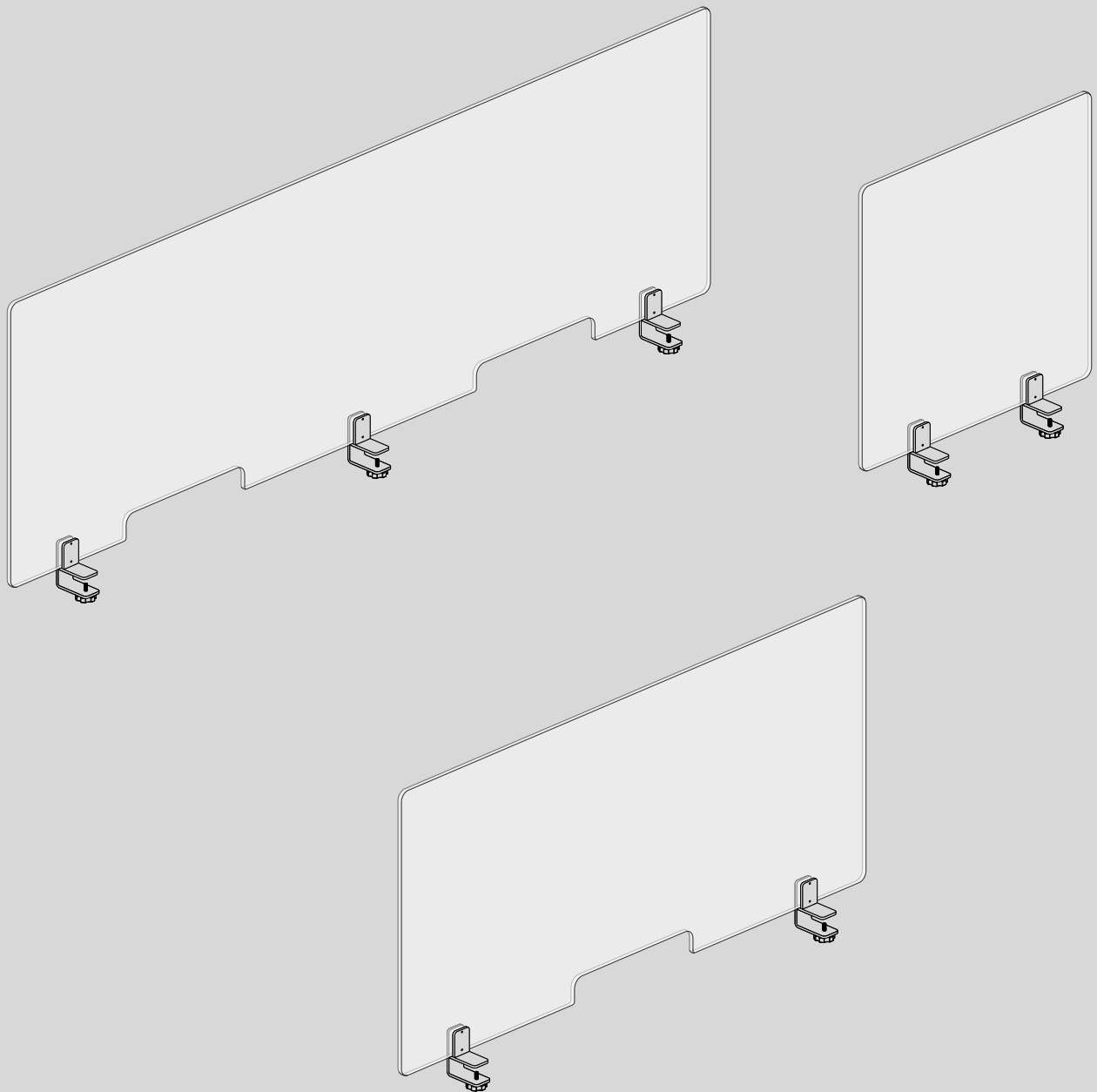
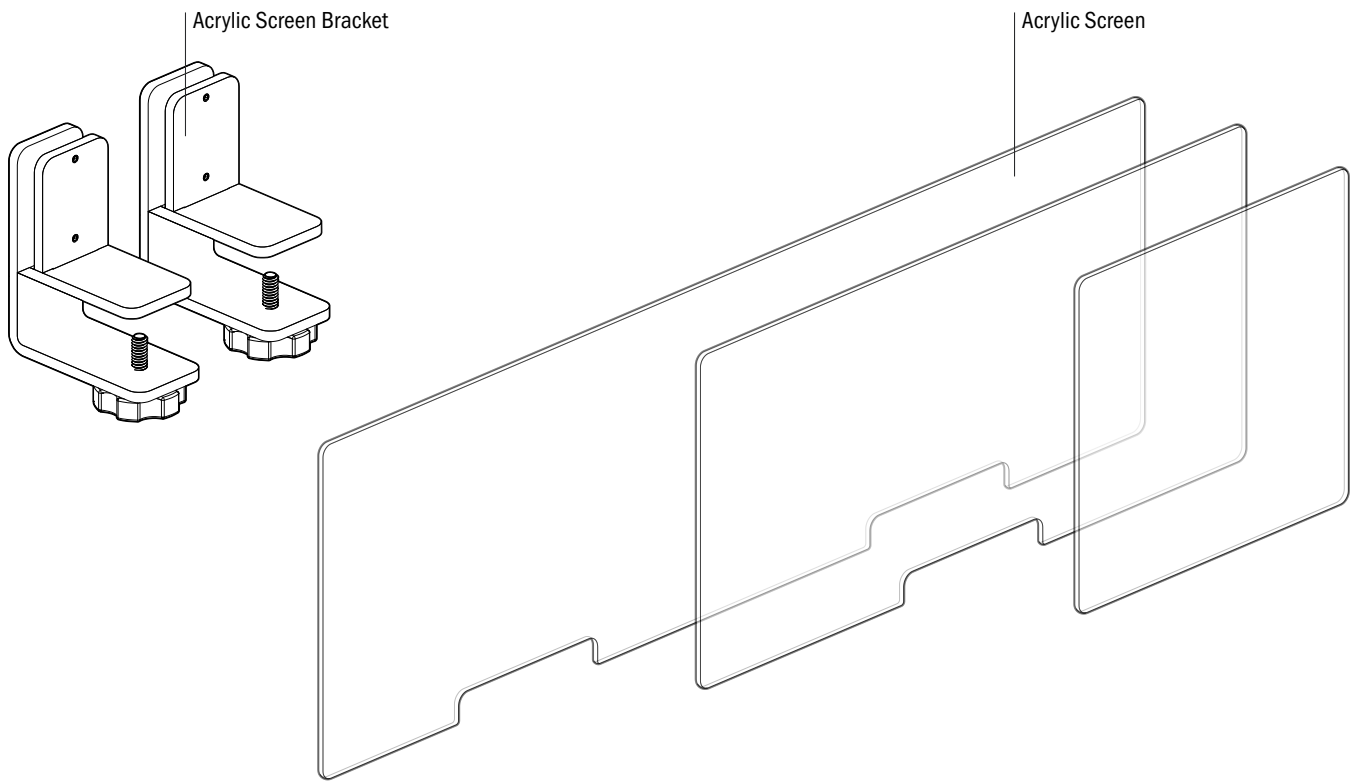


ASSEMBLY

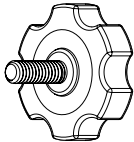
Watson Surface-mounted Acrylic Screen



Universal Screen Basic Components



Hardware



Thumbscrew (0001011)



M4-0.7 X 5mm Flat Tip
Set Screw (0001612)

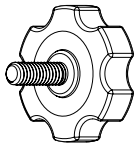
Tools



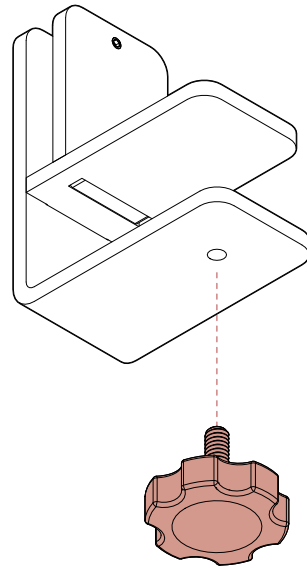
2mm Allen Wrench

1. Attach Bracket to Surface

Attach the thumbscrew (0001011) to the bracket. Slide the bracket onto the worksurface in the desired position and tighten the thumb screw.



Thumbscrew (0001011)

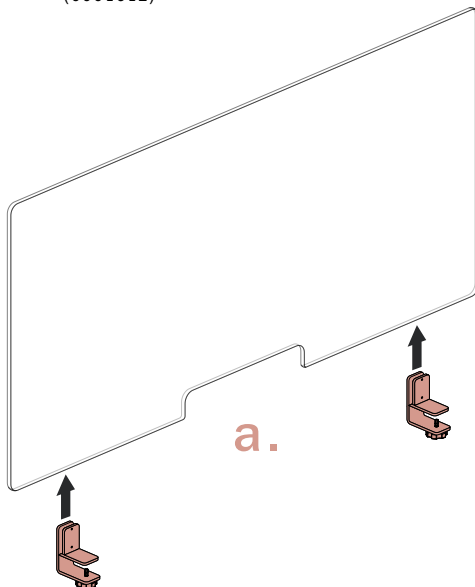


2. Secure Acrylic in Bracket

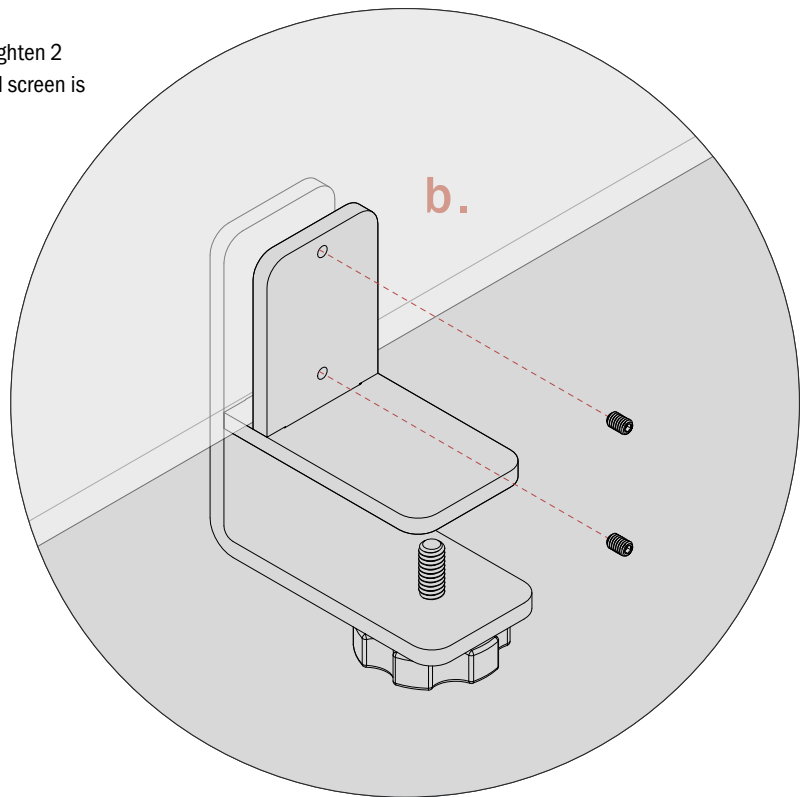
(A) Slide the acrylic screen into the brackets. (B) Tighten 2 set screws (0001612) per bracket and tighten until screen is secure.



M4-0.7 X 5mm
Flat Tip Set Screw
(0001612)



a.



b.