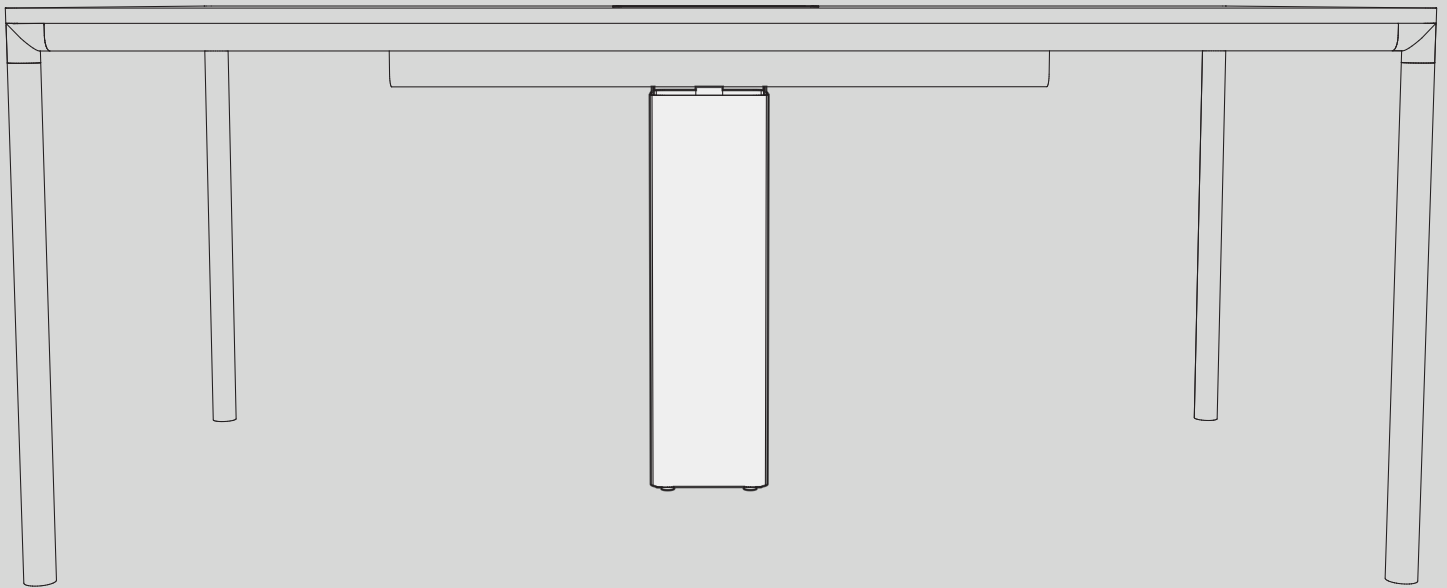
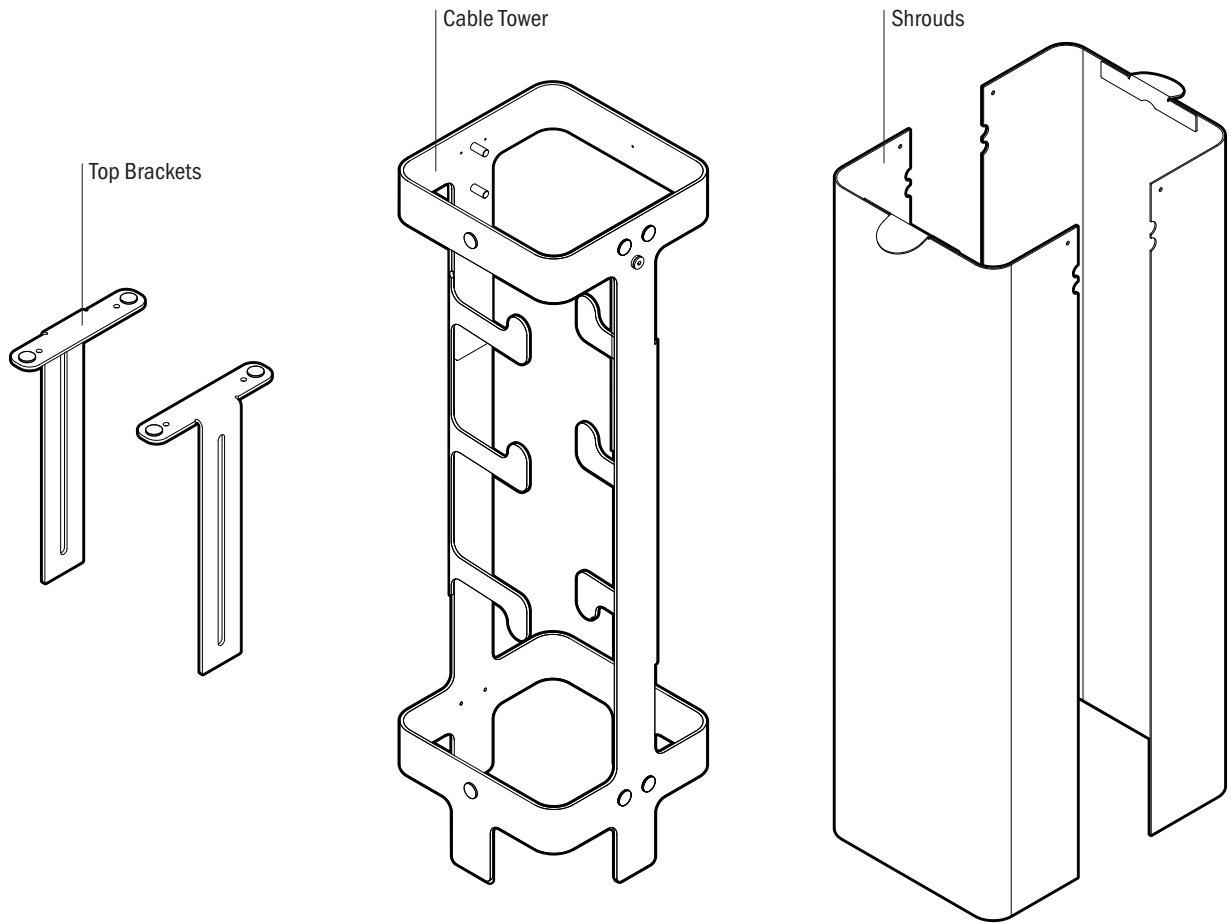


# ASSEMBLY

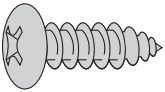
## Watson Cable Tower



# C9 Cable Tower Basic Components

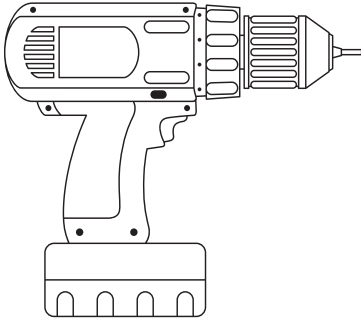


# Hardware



#8 x 5/8" Wood  
Screw (122750)

# Tools



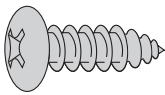
Electric Drill



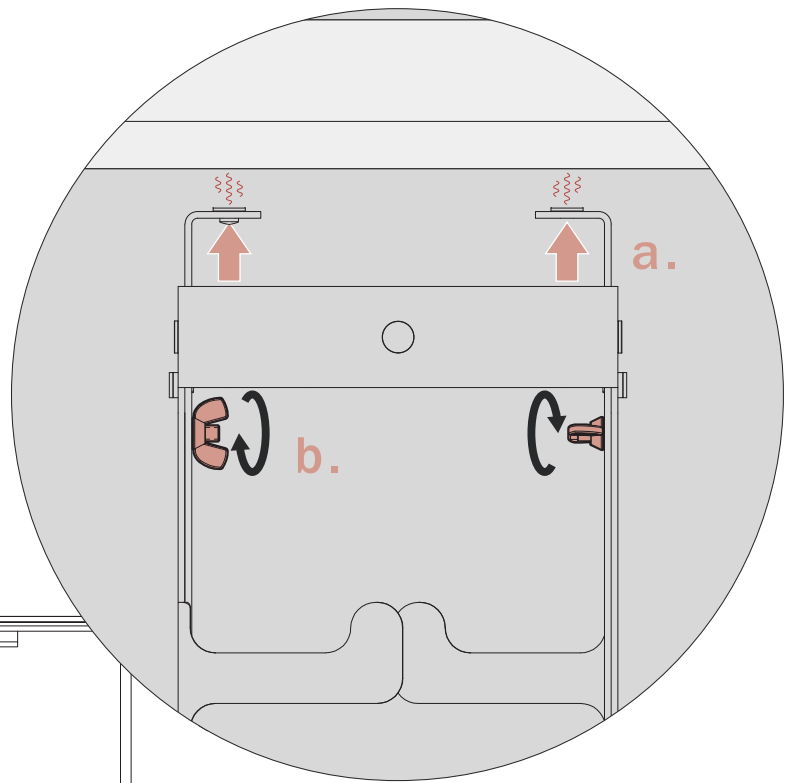
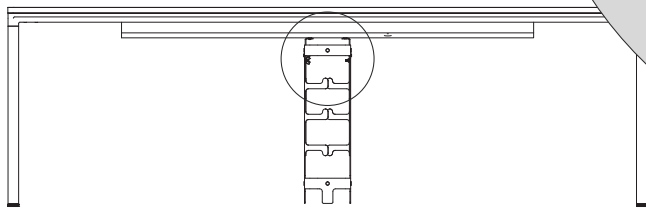
Phillips Drill/Driver Bit

# 1. Attach Cable Tower

Remove the shrouds and position the Cable Tower under the table in the desired location underneath the cable tray. Raise the top brackets to engage the magnets with the bottom of the cable tray. Tighten the wingnuts. When installing with no cable tray, use (2) optional 122750 #8 x 5/8" screws to secure the tower to the bottom side of the work surface. The tower is now secured in place for routing cables.



#8 x 5/8" Screw  
(122750)



# 2. Route Cables and Attach Shrouds

Route the cables over and down into the cable tower, or under and up into the tower. Secure all connections. Slide the shrouds into place. There is an alignment pin on the side of the tower. Set the shrouds in the raised position for cord clearance under the unit if the cable tower is not placed directly over the floor core.

