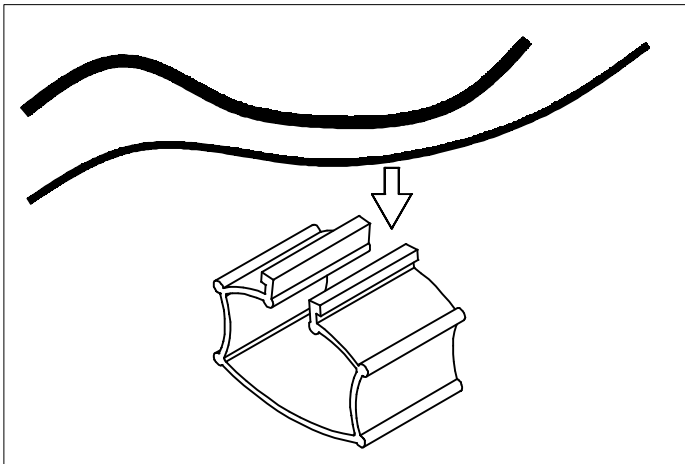
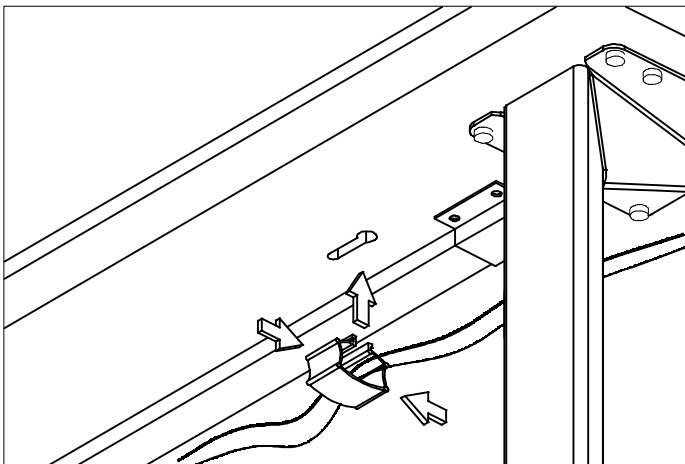


Part # 480199



Step 1
Put all cables into Snap.



Step 2
Pinch sides of Snap inward
and insert into key-hole slot
on underside of desk.