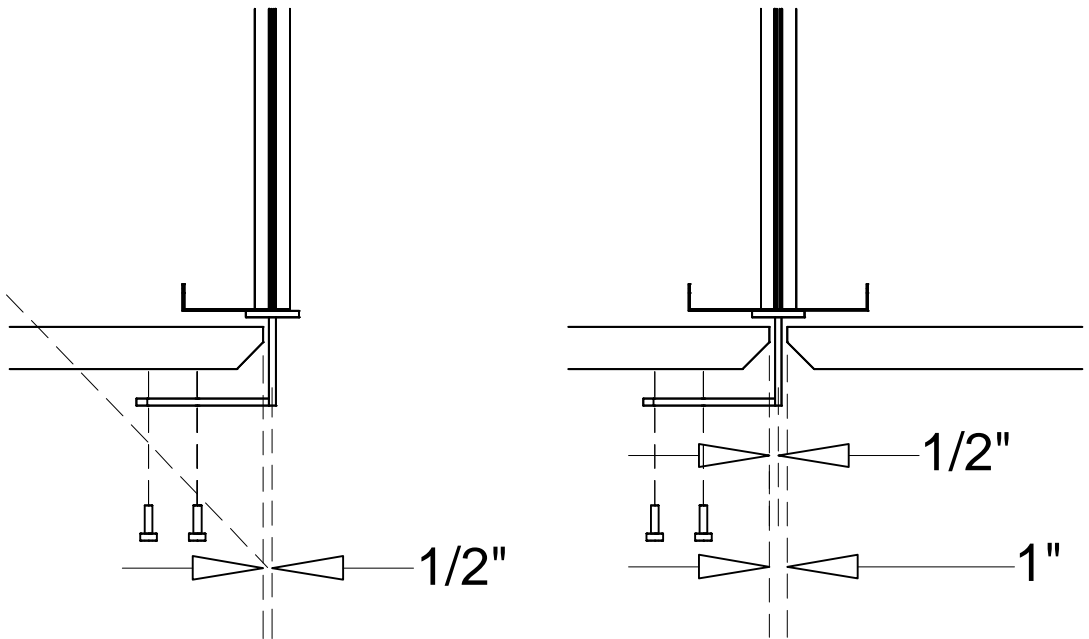


**Step 1**  
Seiri screen attaches to desk with six #10 x1" wood screws (FIG-1) provided.

**Note:**  
M2 desks have pilot holes for attaching the Seiri screen.  
Fusion desks do not.

**Step 2**  
Please note spacing between center of Seiri Screen bracket and edge of desk.

**Note:**  
When installed, cords can pass under the tray and behind the table.



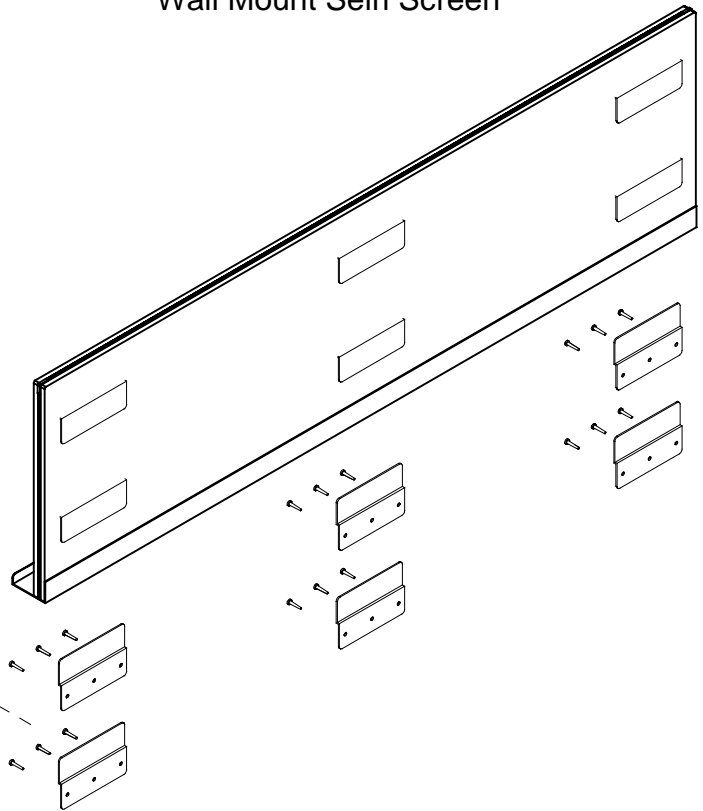
**Step 3**  
Put Seiri bins on the accessory rail.  
Please leave this page for the end user.





### Step 1

Wall hung units are pre-assembled. Steel cleats are attached to the walls studs directly whenever possible or with "molly bolts" when appropriate. Wall fasteners are not included in hardware kit.



### Step 2

Attach wall cleats with spacing that matches the cleats on the screen.

short screens have 2 cleats, longer cabinets have 3 cleats.

After securing cleats to wall with appropriate hardware drop screen down over wall cleats. Level as required.

