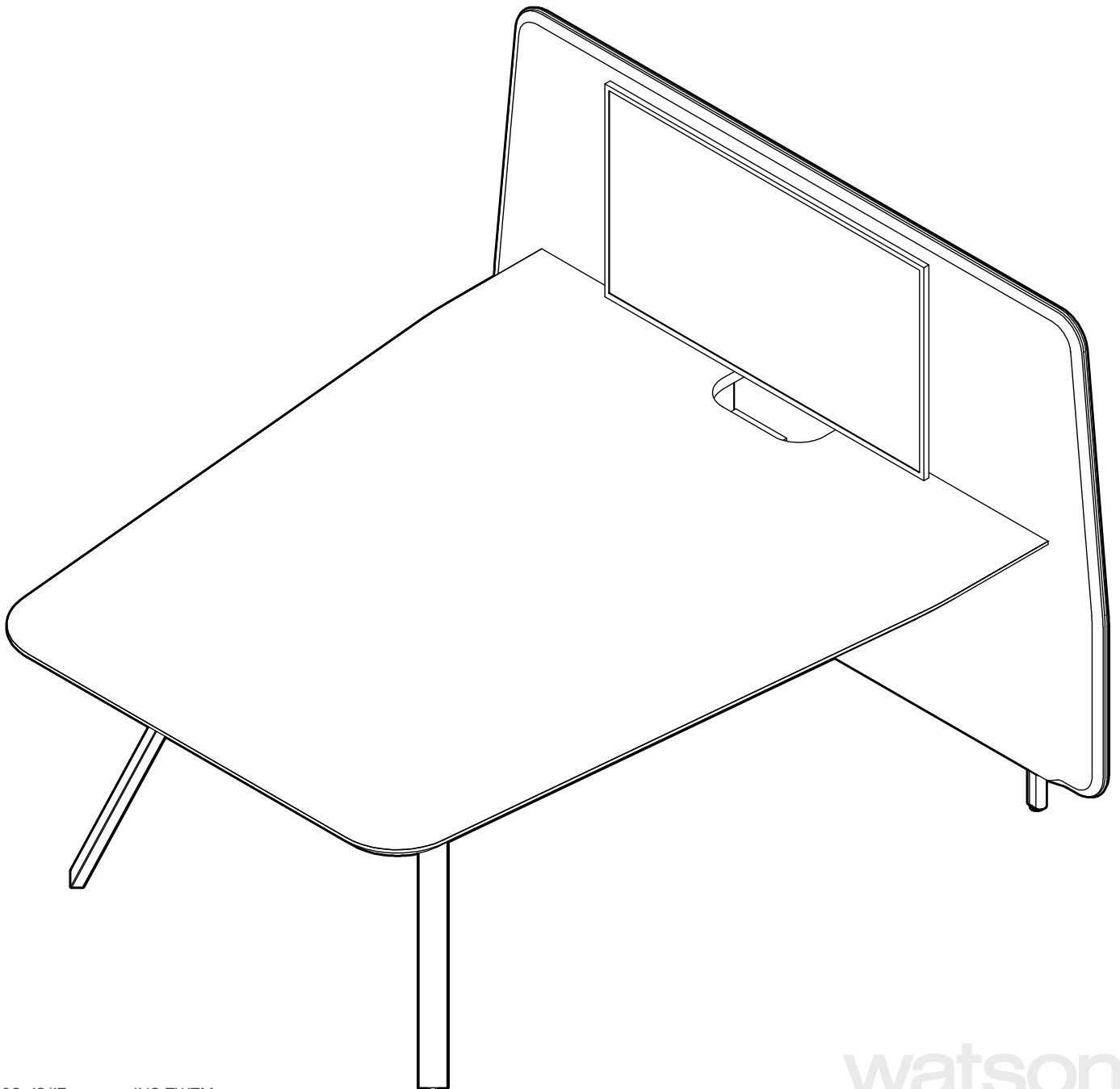
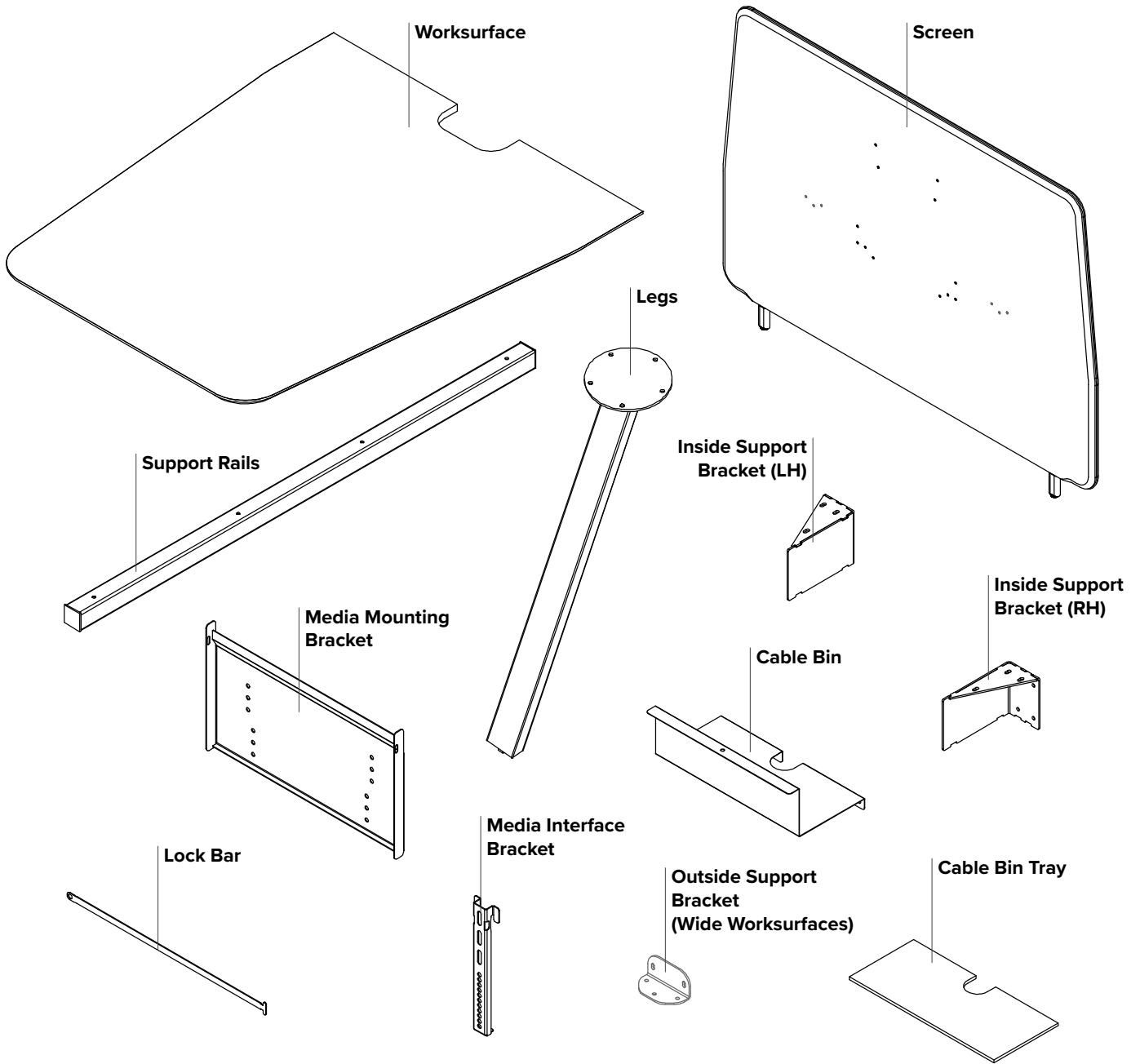


TONIC

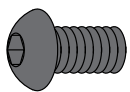
SIMPLE MEDIA ASSEMBLY INSTRUCTIONS



SIMPLE MEDIA TABLE COMPONENTS



FASTENERS

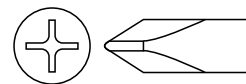


1/4-20x1/2" Button Head Screw, Black (490719)



#10x1" Truss Head Screw, Zinc (122850)

TOOLS



#2 Phillips



5/32 Hex Key

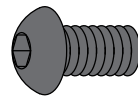
1.

Prepare Screen

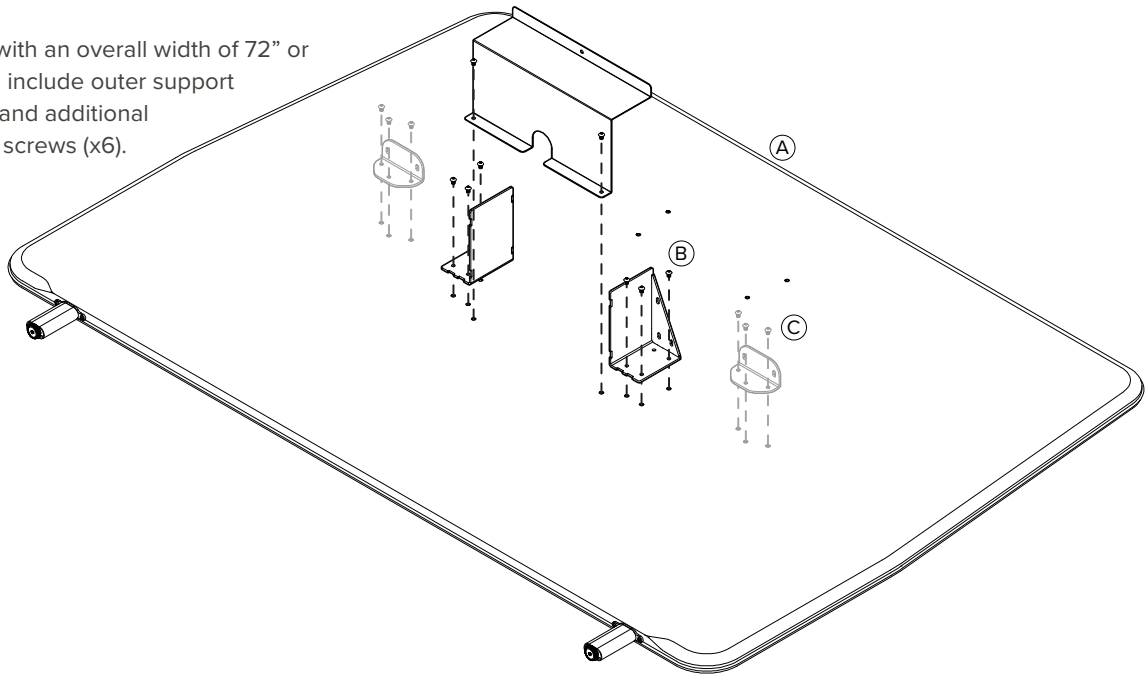
Ⓐ Lay screen down holes side up.

Ⓑ Attach worksurface support brackets and cable bin using the supplied 1/4-20x1/2" Button Head Screws (x8).

Ⓒ Units with an overall width of 72" or wider will include outer support brackets and additional 1/4-20x1/2" screws (x6).



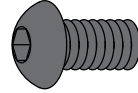
(490719)



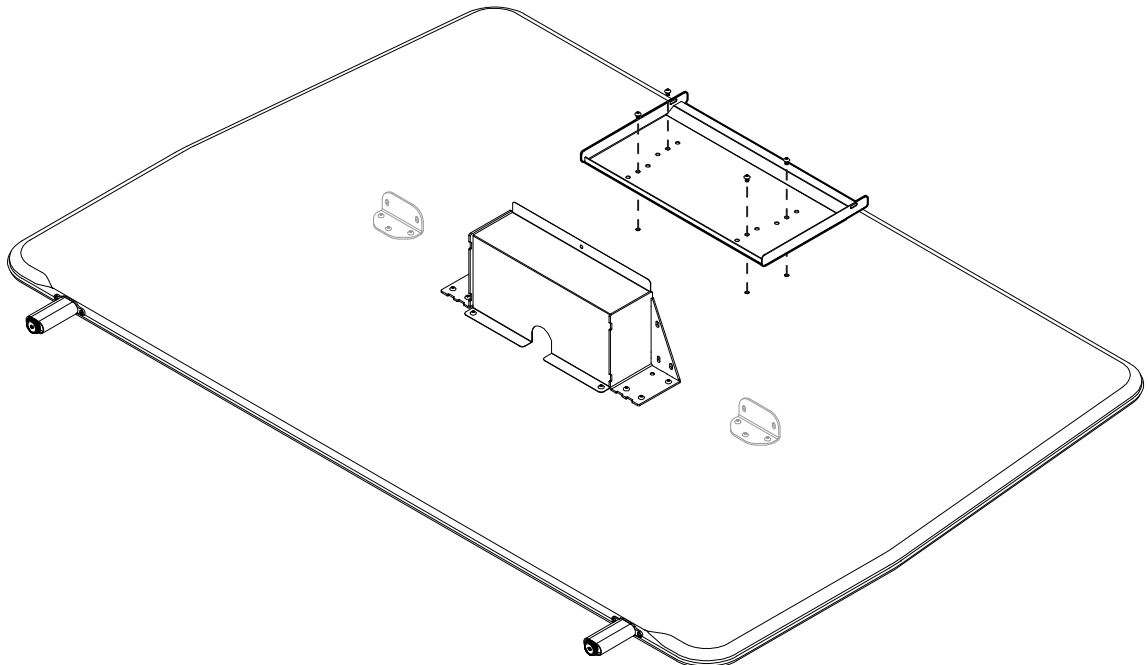
2.

Attach Monitor Mount

Attach the monitor mount bracket with the supplied 1/4-20x1/2" Button Head Screws (x4).



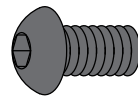
(490719)



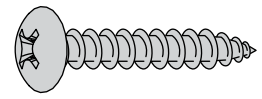
3.

Prepare Worksurface

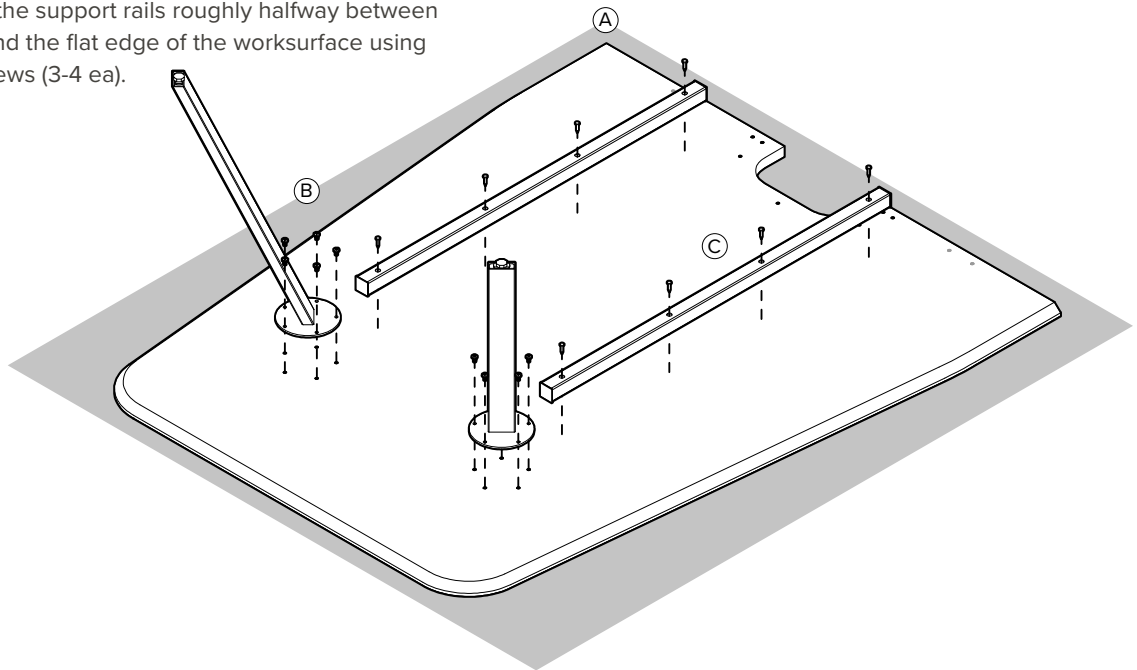
- Ⓐ Assemble on a clean blanket or on carpet.
- Ⓑ With the worksurface face down, attach the legs using ¼-20x½" Button Head Screws (x5 ea).
- Ⓒ Attach the support rails roughly halfway between the legs and the flat edge of the worksurface using #10x1" screws (3-4 ea).



(490719)



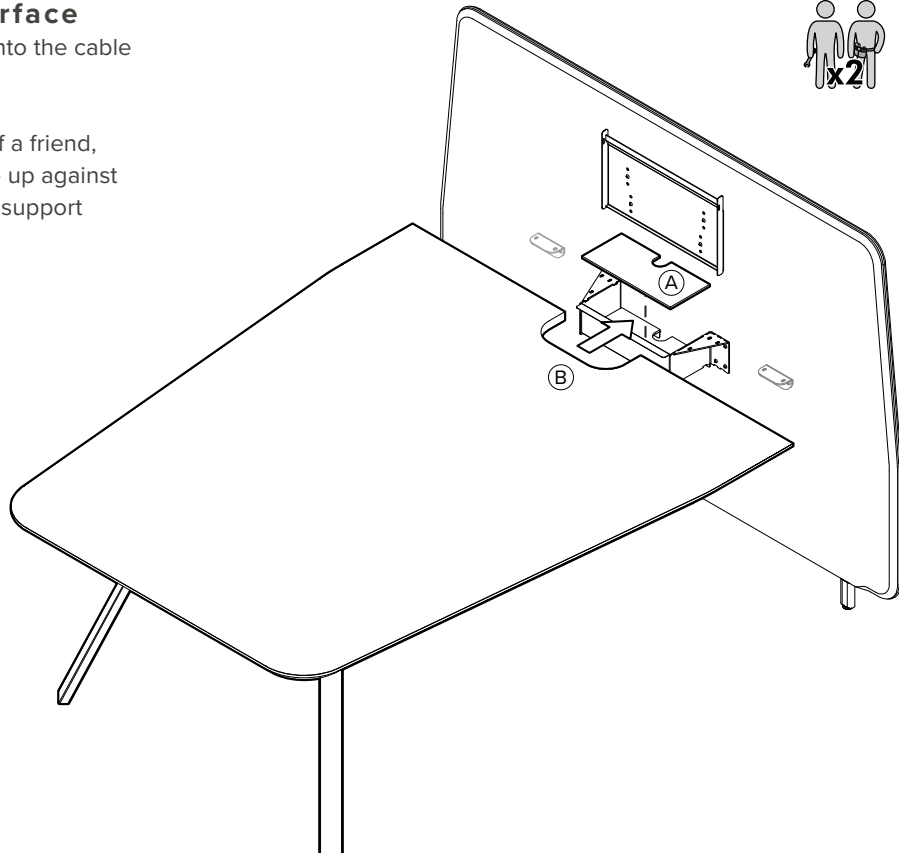
(122850)



4.

Position Worksurface

- Ⓐ Place the cable tray into the cable bin.
- Ⓑ With the assistance of a friend, position the worksurface up against the screen on top of the support brackets.



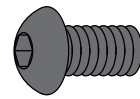
Note — It may help to place the screen against a wall for added stability during this step.

5.

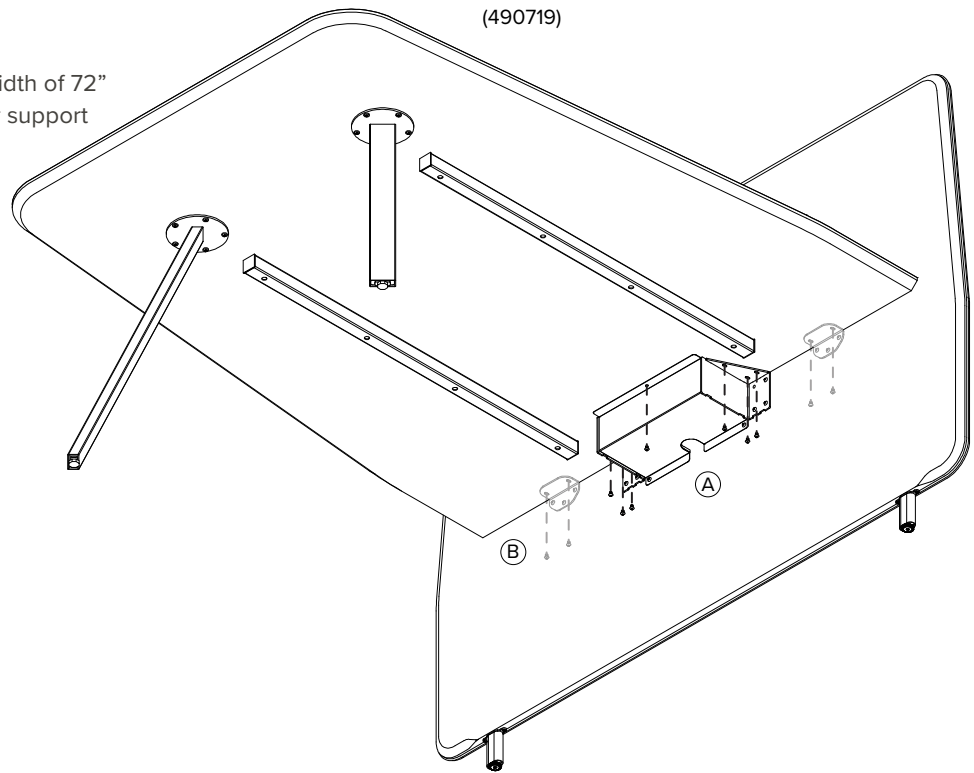
Attach Worksurface

Ⓐ Once the worksurface is in position, attach it to the screen with ¼-20x½" Button Head Screws (x7).

Ⓑ Units with an overall width of 72" or wider will include outer support brackets and additional ¼-20x½" screws (x4).



(490719)

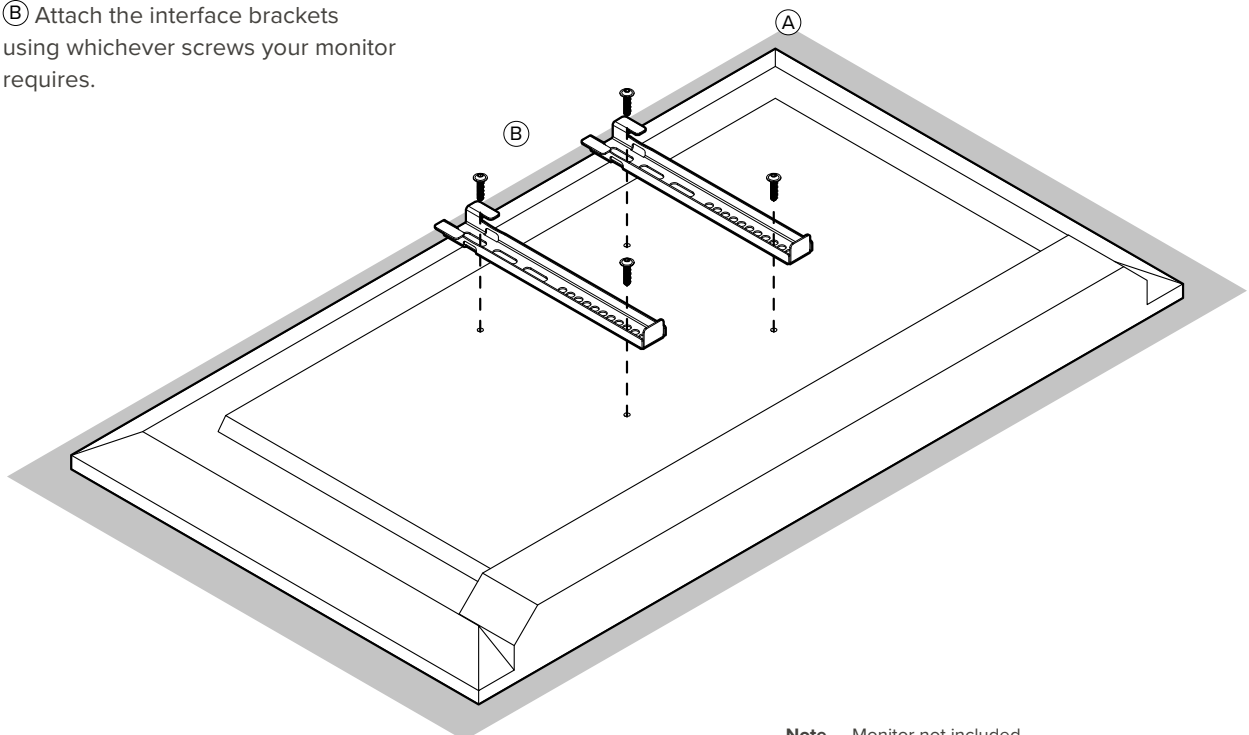


6.

Prepare Monitor

Ⓐ Place the monitor face down on a clean blanket or on carpet.

Ⓑ Attach the interface brackets using whichever screws your monitor requires.

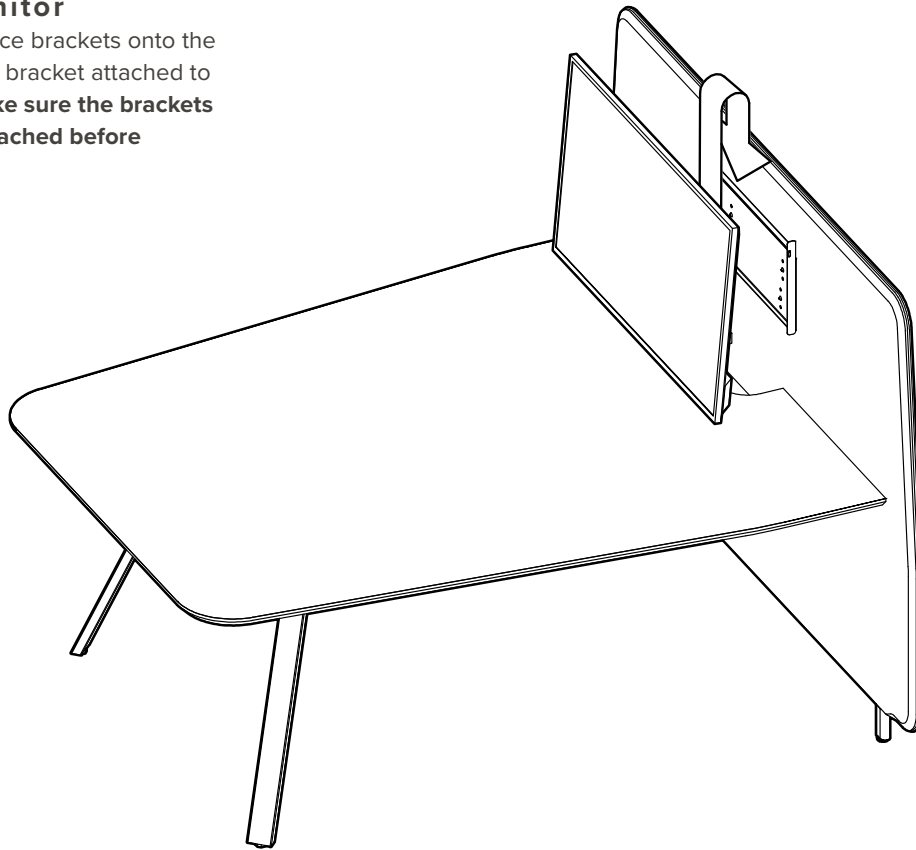


Note — Monitor not included.

7.

Attach Monitor

Hook the interface brackets onto the media mounting bracket attached to the screen. **Make sure the brackets are properly attached before releasing.**



8.

Insert Lock Bar

Insert the lock bar through the media mounting bracket and through the interface brackets to prevent the monitor from being lifted away.

