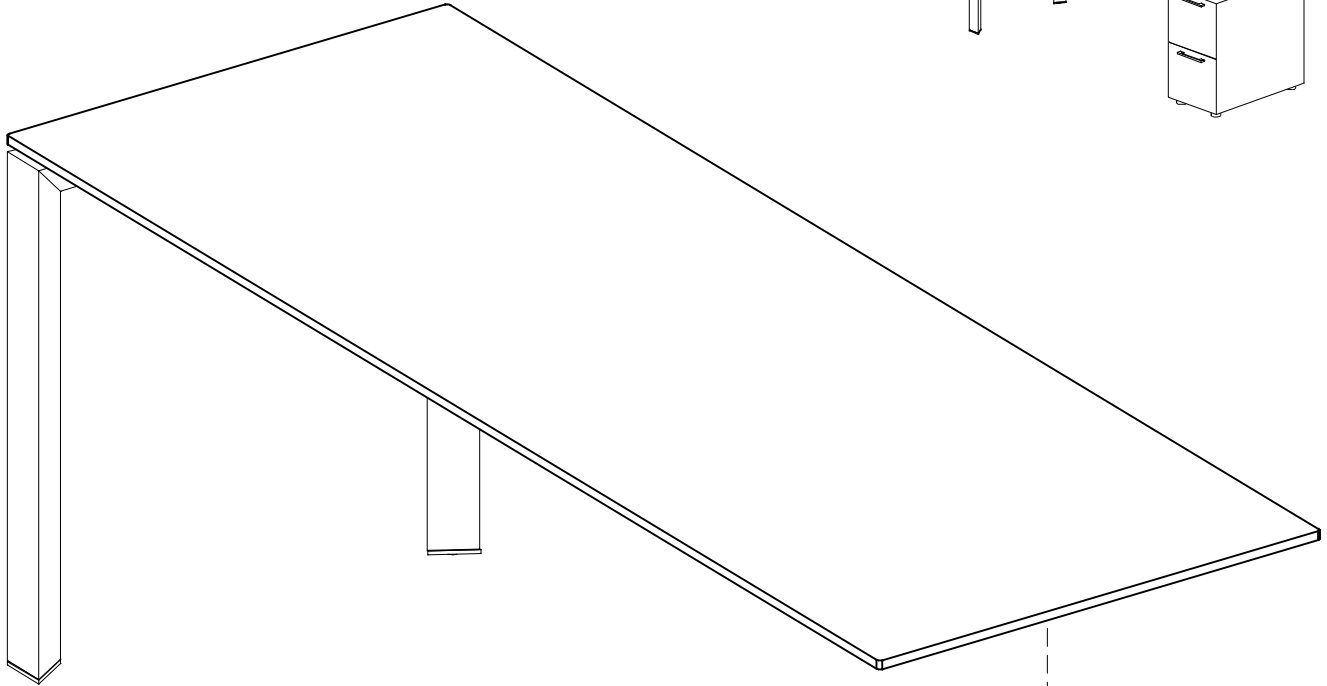
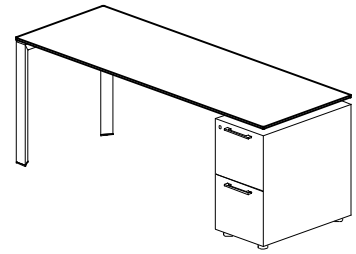
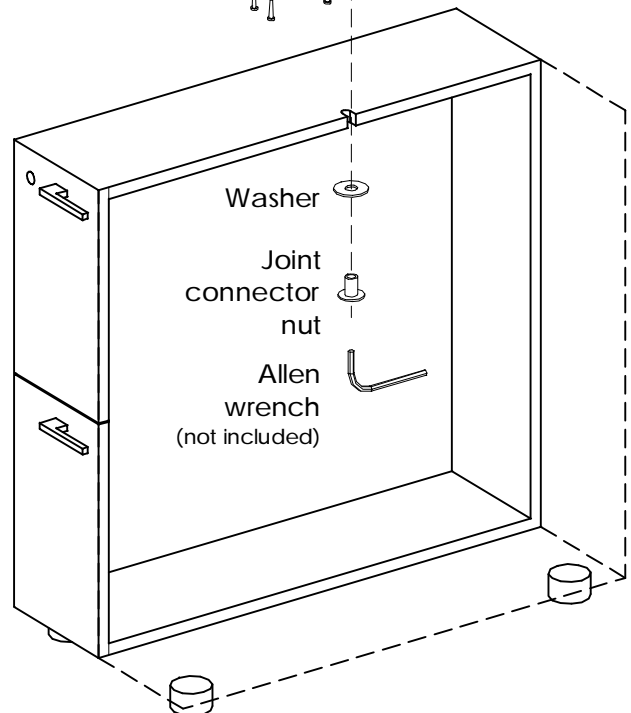
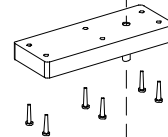




PRODUCT INSTALLATION:
Storage Support Installation of 15" Wide
Casegoods



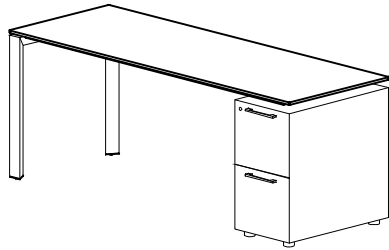
Riser block



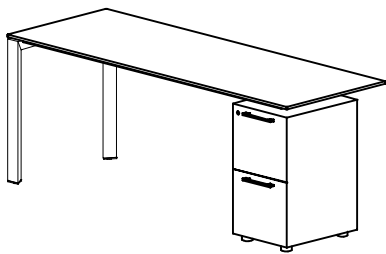
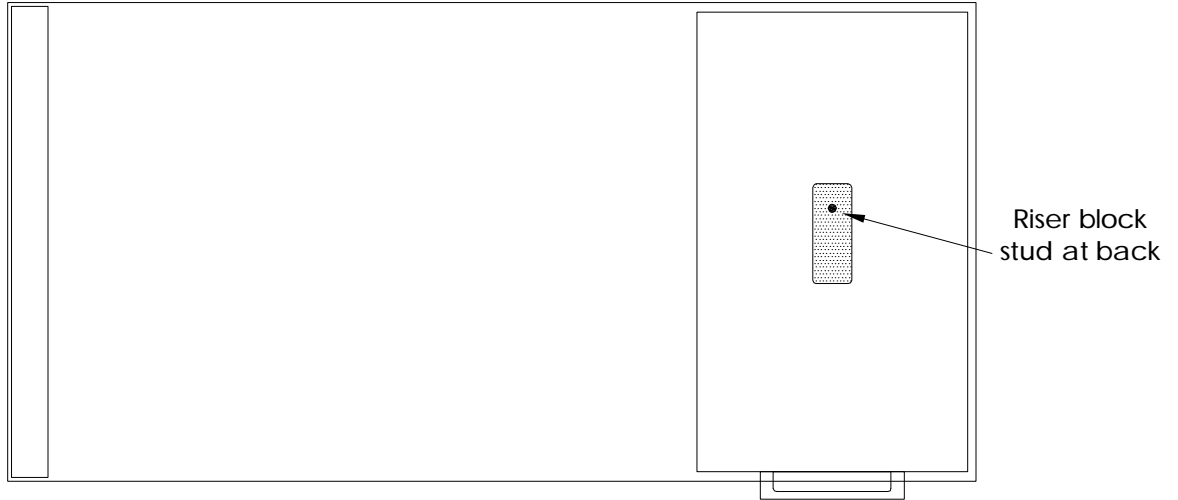
- Washer
- Joint connector nut
- Allen wrench (not included)



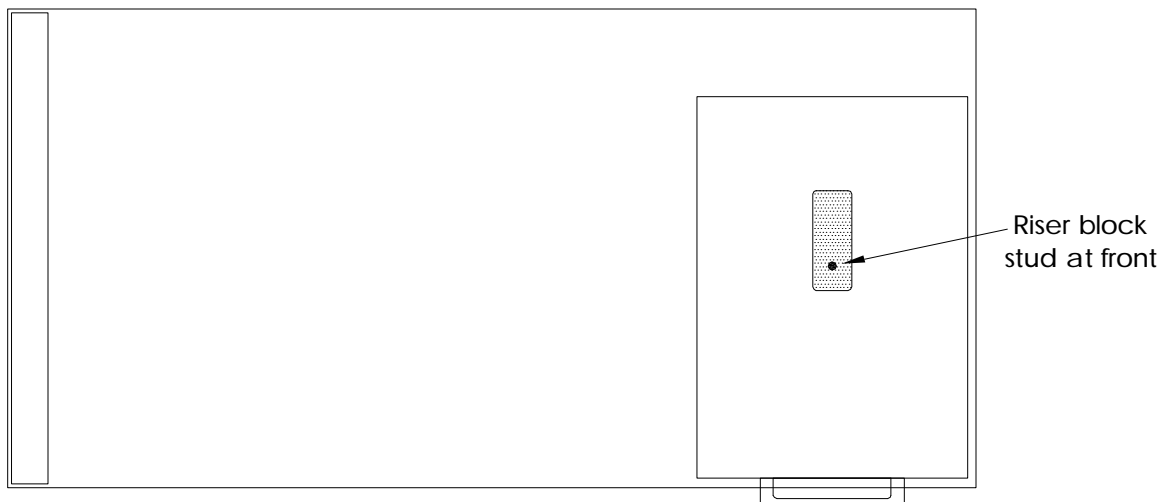
PRODUCT INSTALLATION:
Storage Support Installation of 15" Wide
Casegoods: Riser Block Orientation



Top
View

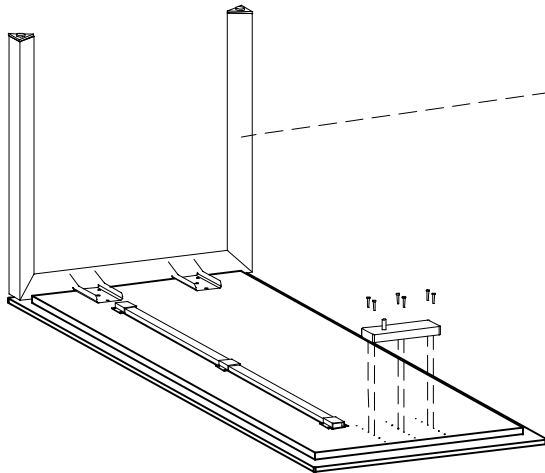


Top
View





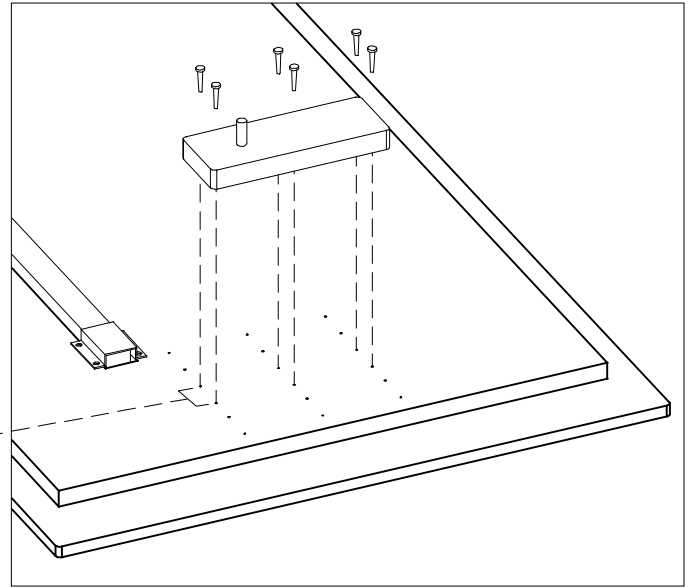
PRODUCT INSTALLATION: Storage Support Installation of 15" Wide Casegoods: with Matching Depth Desk



Step 1

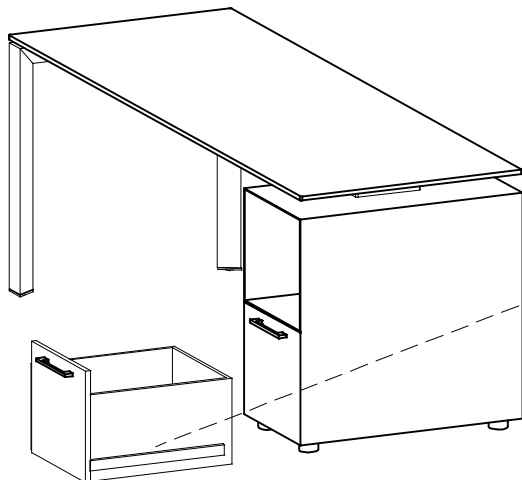
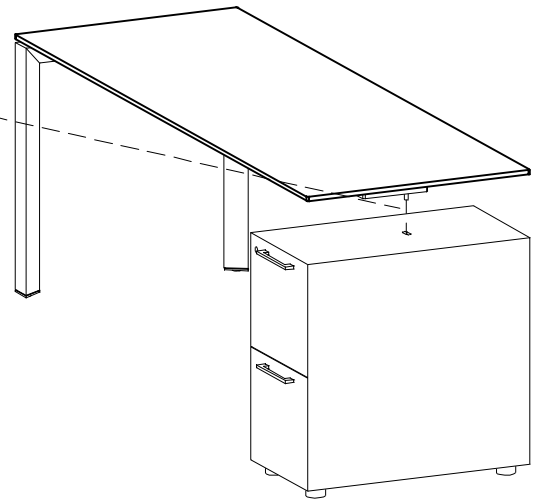
Completely assemble desk using instructions provided before proceeding with support pedestal attachment.

Step 2
Determine the proper orientation of riser see page 2.



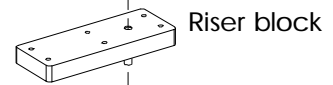
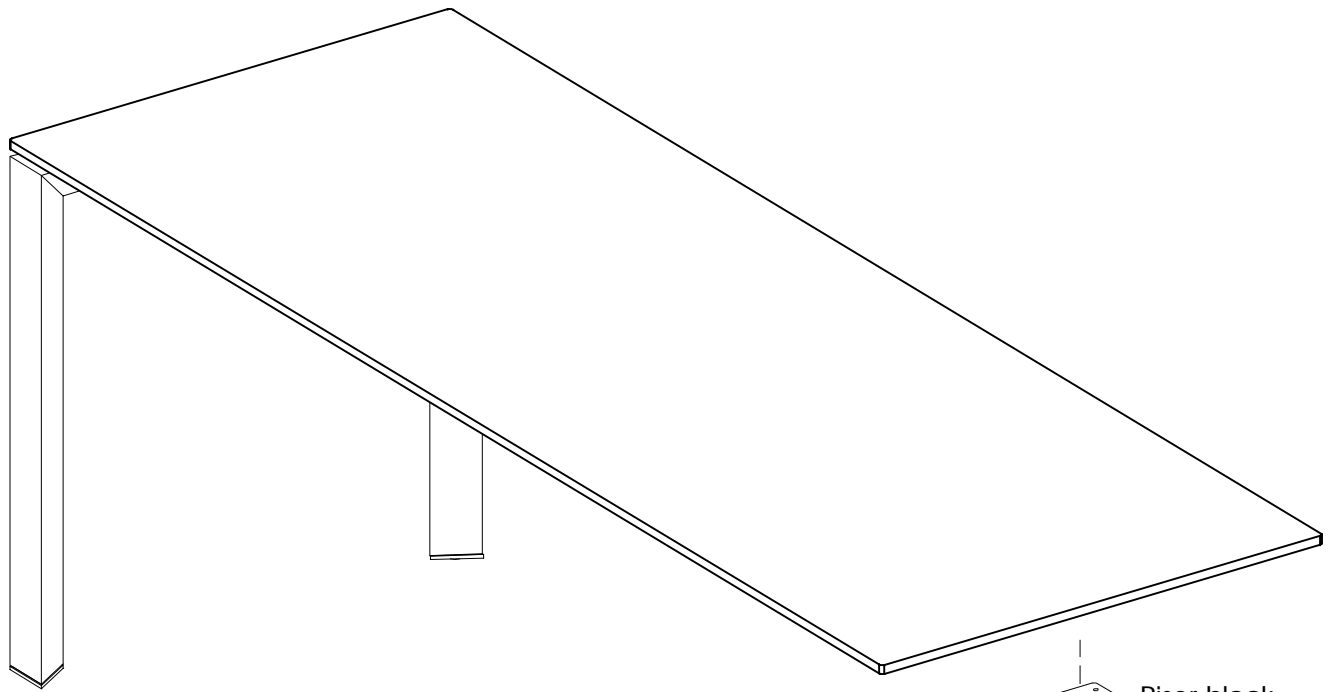
Step 3
While desk is still on its back, position riser block on center set of pilot holes on end of desk. Secure to desktop with six #10 x 3/4" wood screws provided.

Step 4
Flip desk over and align riser block stud with slot in top of pedestal and lower into place. Rectangular hole cover is most easily removed by pushing from below. Take care not to scratch top of pedestal during this step.

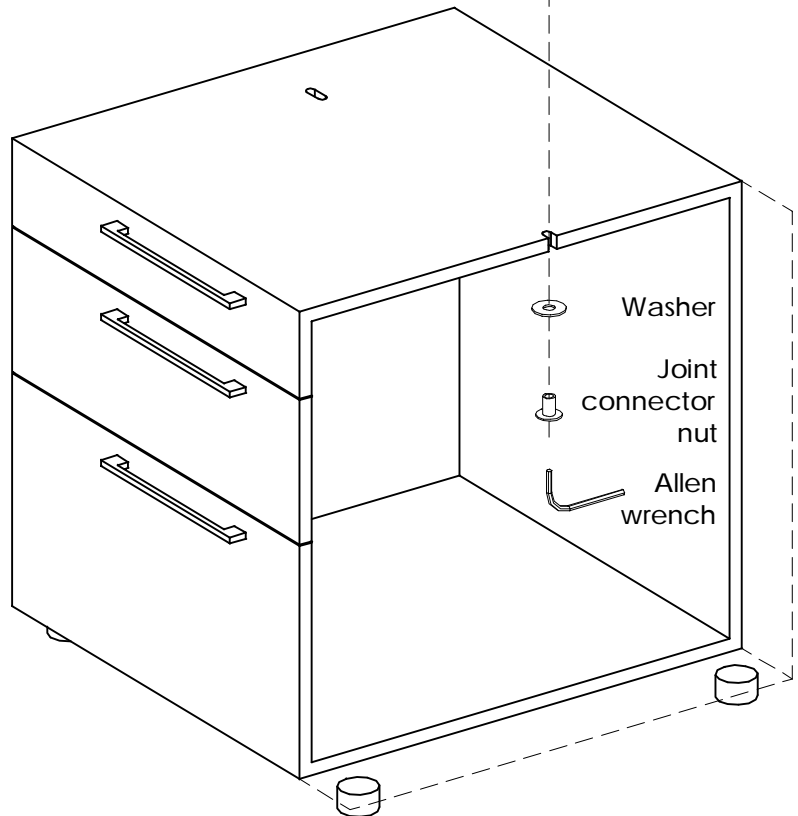


Step 5

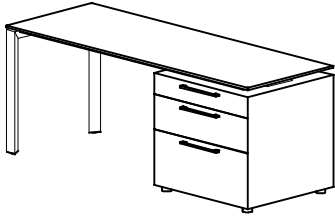
With desk resting on pedestal remove upper drawer. Press plastic release tabs on sides of drawer slides to disengage drawer. From inside of pedestal thread on joint connector nut and washer. Align desk to pedestal and tighten nut.



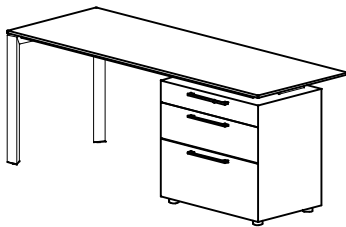
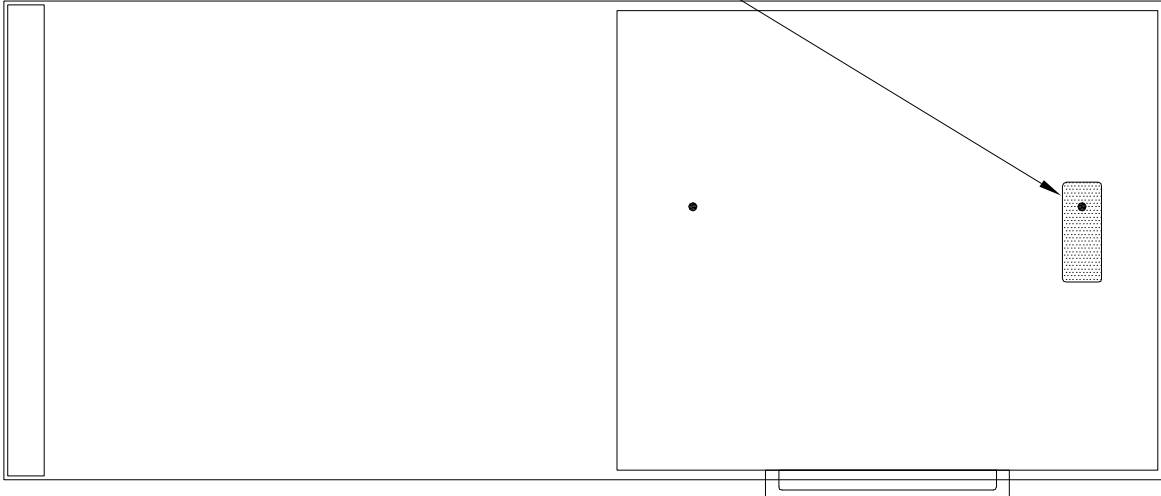
Riser block



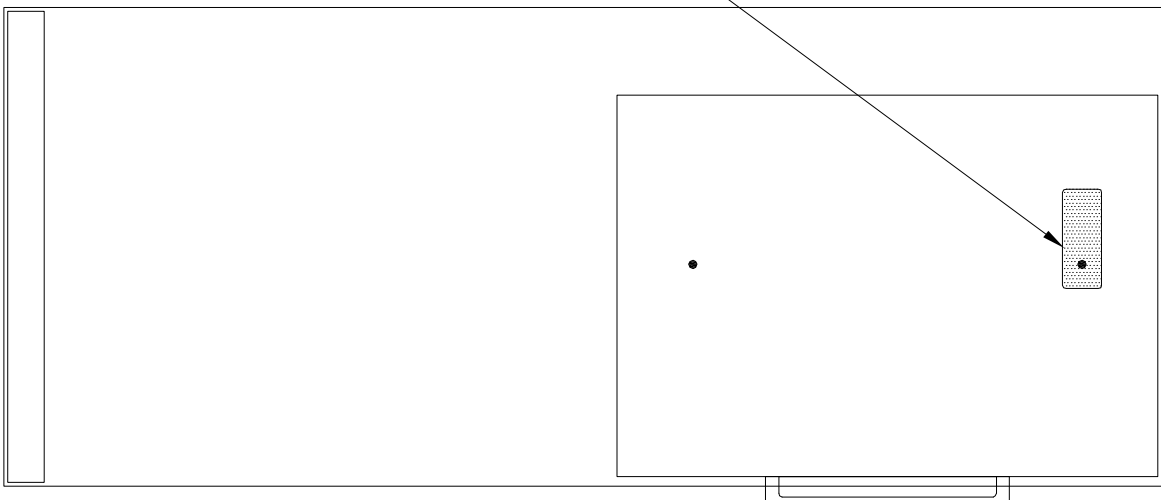
Washer
Joint
connector
nut
Allen
wrench

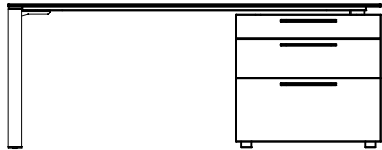


Top View



Top View

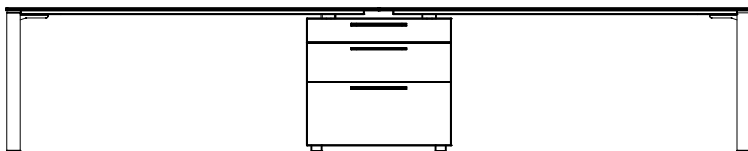




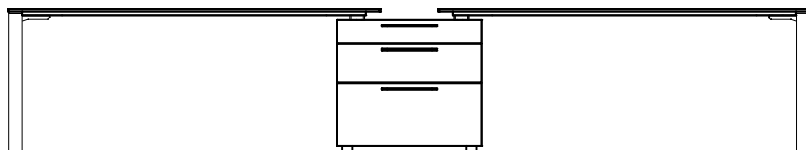
Storage unit fully under one end of desk.
See pages 4



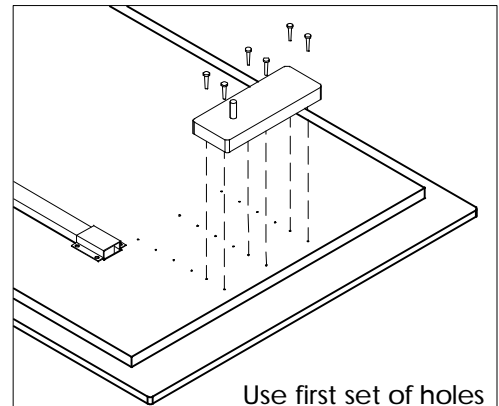
Storage unit 15" out from one end of desk.
See page 5



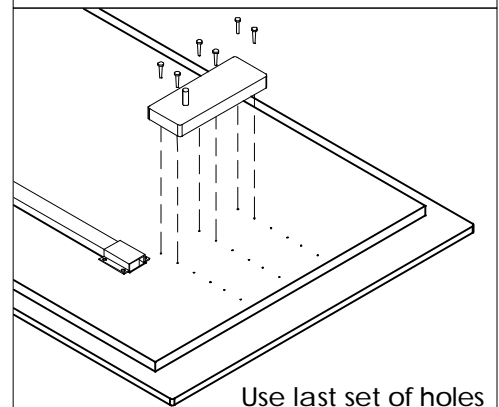
Storage unit fully under two desks.
See page 6-7



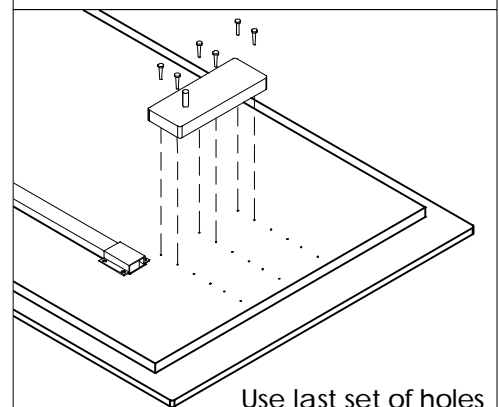
Storage unit under two desks with space between.
See page 8-9



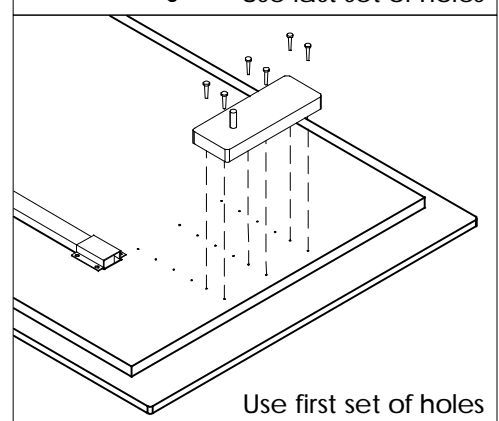
Use first set of holes



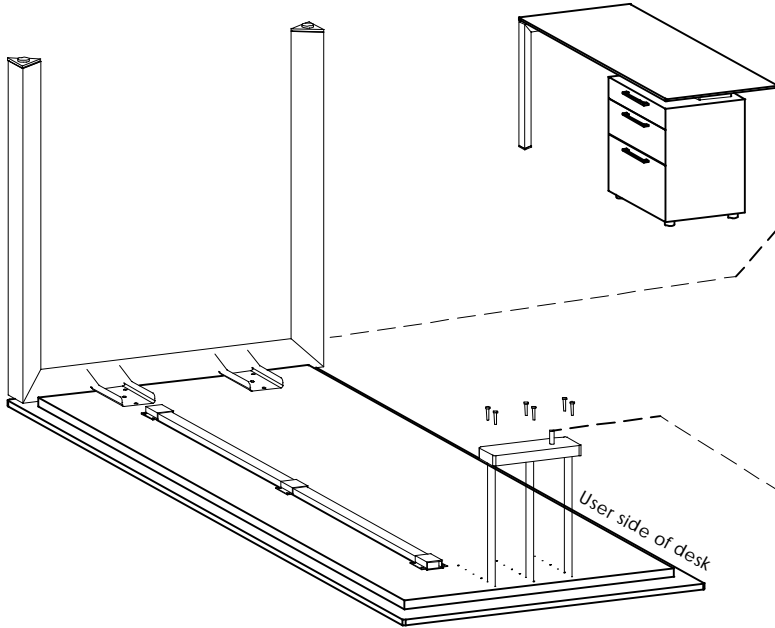
Use last set of holes



Use last set of holes



Use first set of holes



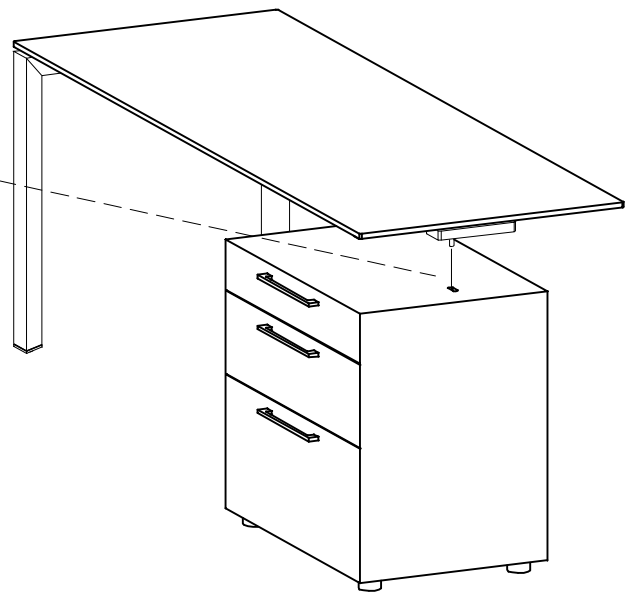
Step 1

Completely assemble desk using instructions provided before proceeding with support pedestal attachment.

While desk is still on its back, position riser block on first set of pilot holes on end of desk. Secure to desktop with six #10 x 3/4" wood screws provided. See page 2 for proper riser orientation.

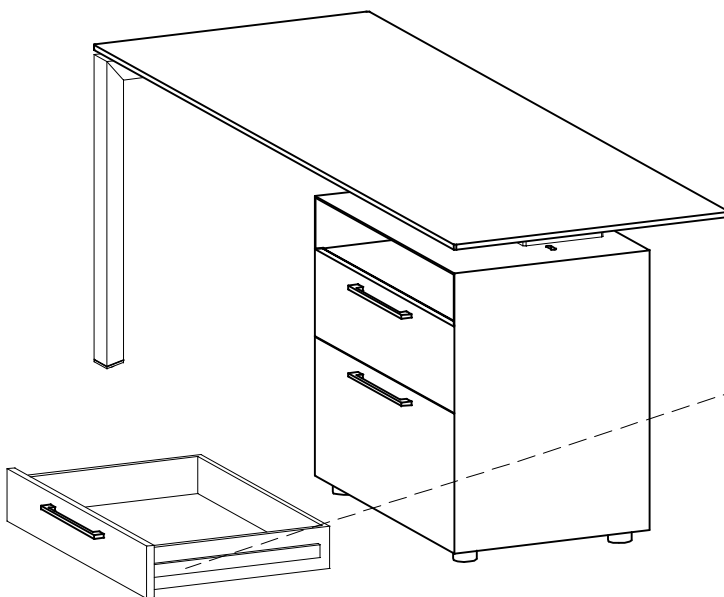
Flip desk over and align riser block stud with slot in top of pedestal and lower into place. Rectangular hole cover is most easily removed by pushing from below. Take care not to scratch top of pedestal during this step.

Step 2



Step 3

With desk resting on pedestal remove upper drawer. Press plastic release tabs on sides of drawer slides to disengage drawer.

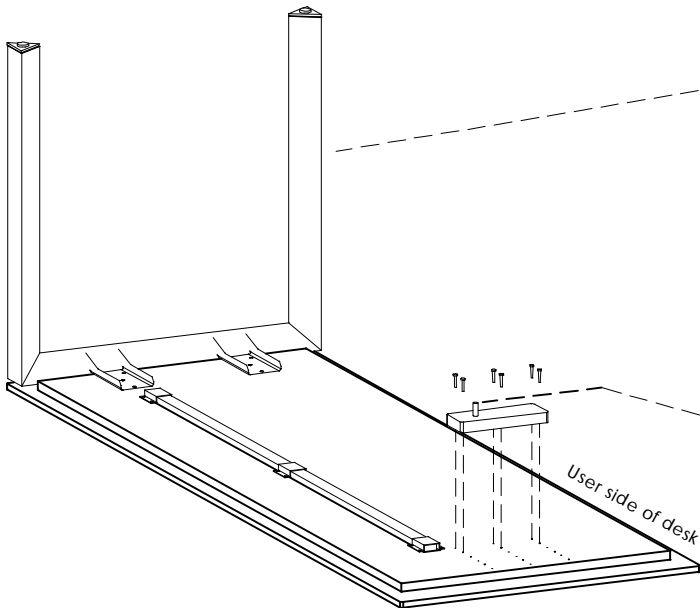


Step 4

From inside of pedestal thread on joint connector nut and washer. Align desk to pedestal and tighten nut.



PRODUCT INSTALLATION: 30" Wide Storage Support Casegoods: With Match Depth Desk



Step 1

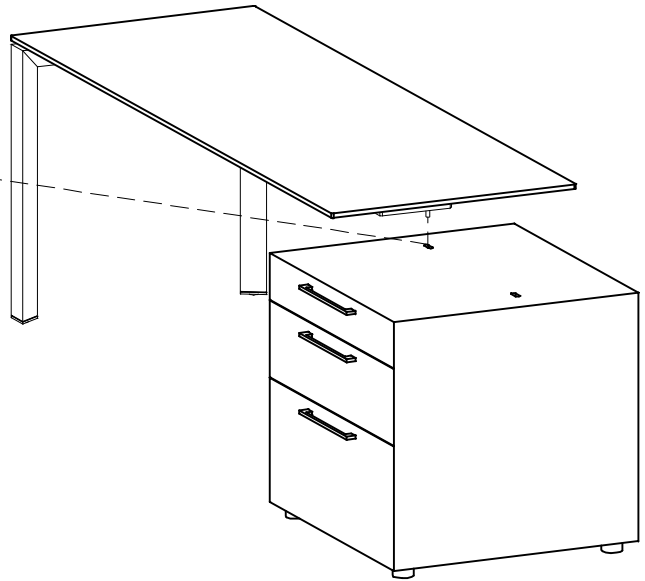
Completely assemble desk using instructions provided before proceeding with support pedestal attachment.

While desk is still on its back, position riser block on Third set of pilot holes on end of desk.

Secure to desktop with six #10 x 3/4" wood screws provided. See page 2 for proper riser orientation.

Step 2

Flip desk over and align riser block stud with slot in top of pedestal and lower into place. Rectangular hole cover is most easily removed by pushing from below. Take care not to scratch top of pedestal during this step.

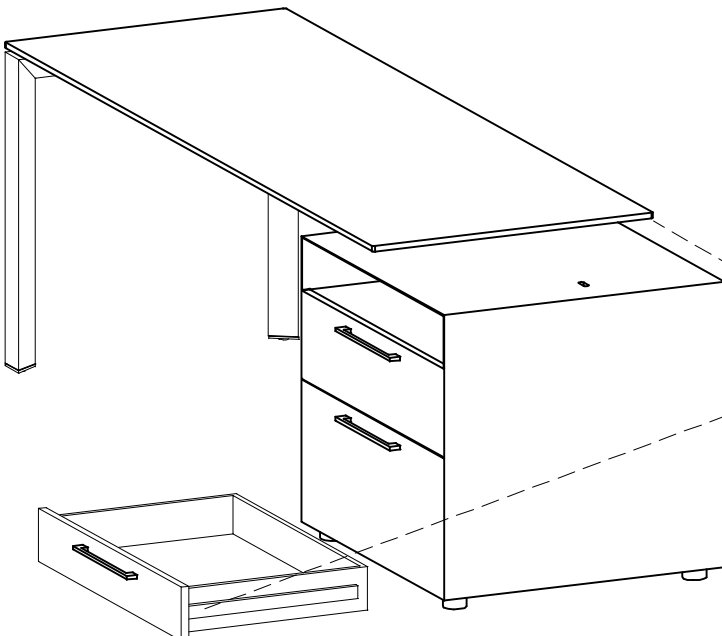


Step 3

With desk resting on pedestal remove upper drawer. Press plastic release tabs on sides of drawer slides to disengage drawer.

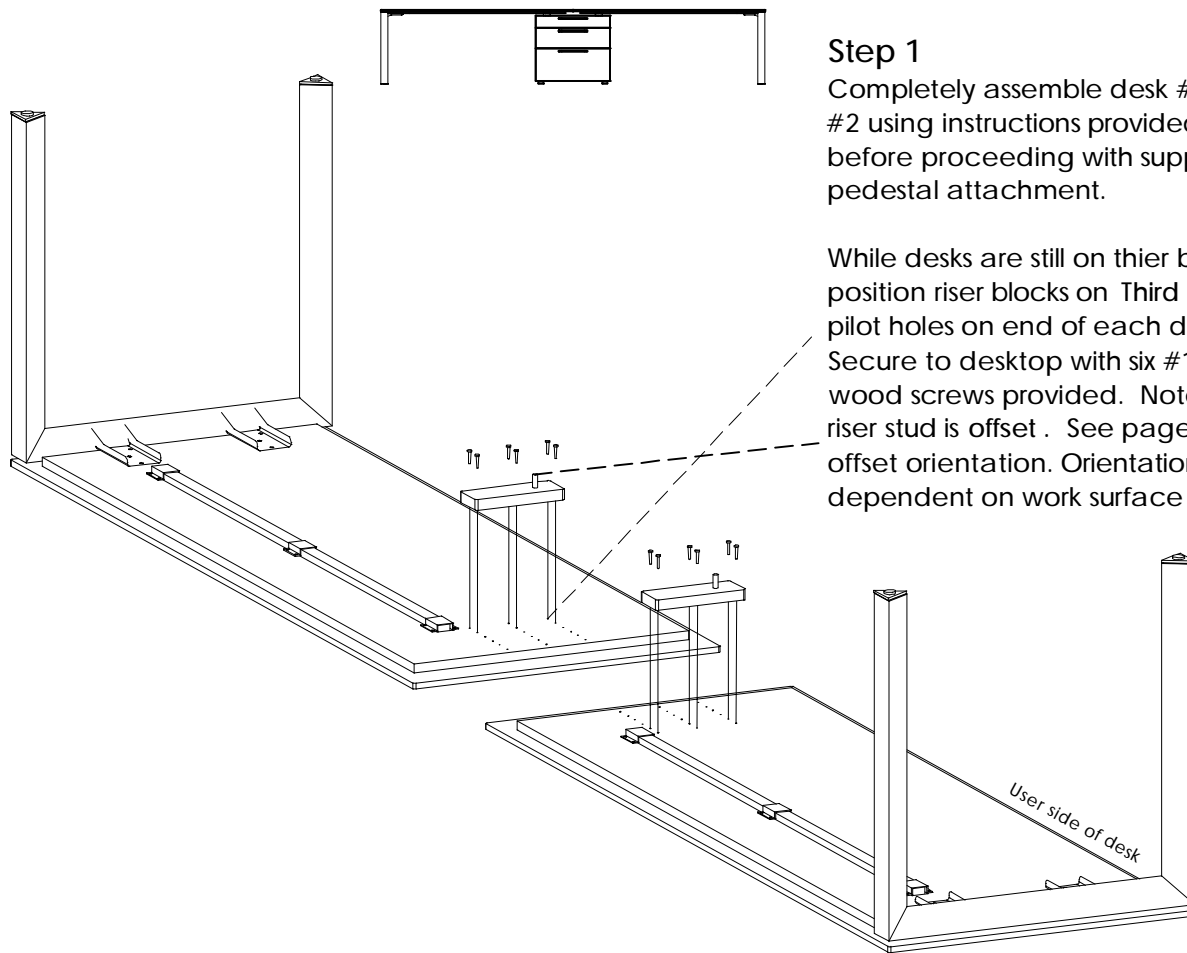
Step 4

From inside of pedestal thread on joint connector nut and washer. Align desk to pedestal and tighten nut.





PRODUCT INSTALLATION: 30" Wide Storage Support Casegoods: Supporting Two Surfaces



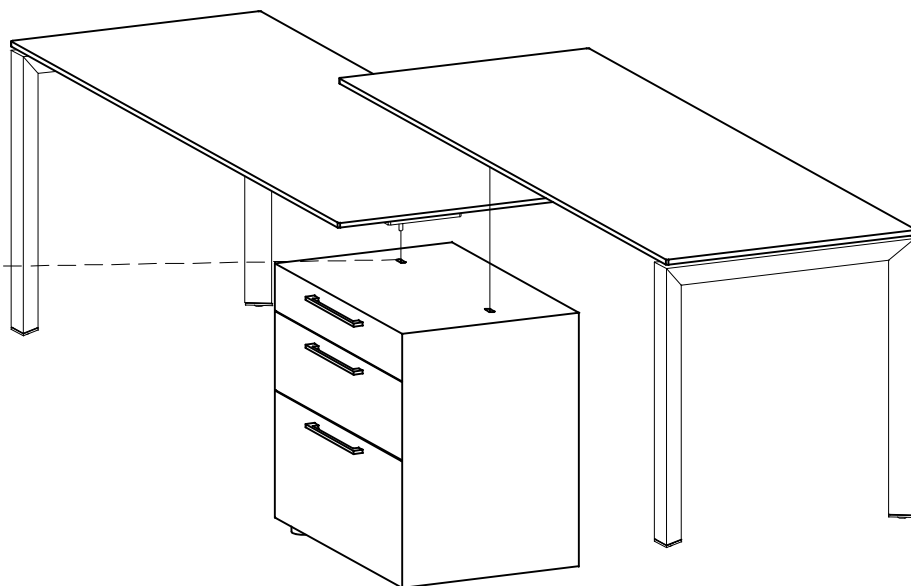
Step 1

Completely assemble desk #1 and #2 using instructions provided before proceeding with support pedestal attachment.

While desks are still on their backs, position riser blocks on Third set of pilot holes on end of each desk. Secure to desktop with six #10 x 3/4" wood screws provided. Note that riser stud is offset. See page 2 for offset orientation. Orientation is dependent on work surface depth.

Step 2

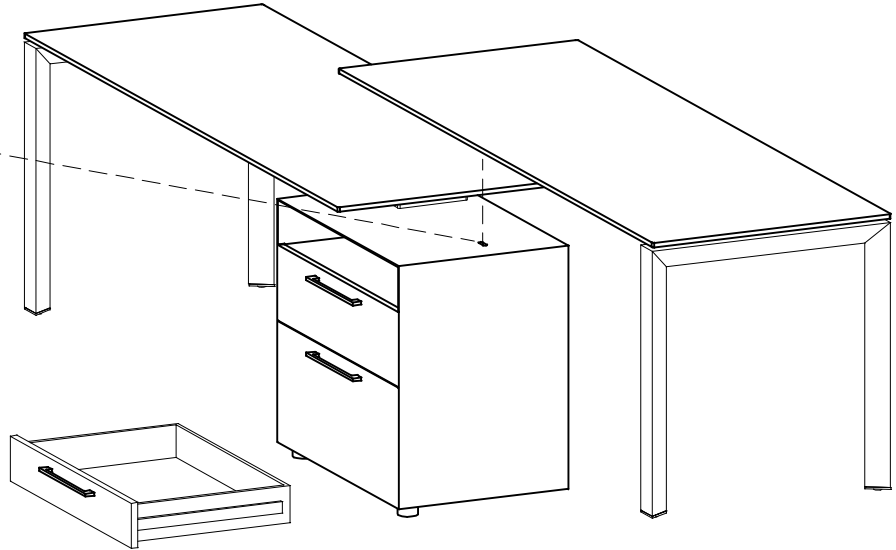
Flip first desk over and align riser block stud with slot in top of pedestal and lower into place. Rectangular hole cover is most easily removed by pushing from below. Take care not to scratch top of pedestal during this step.





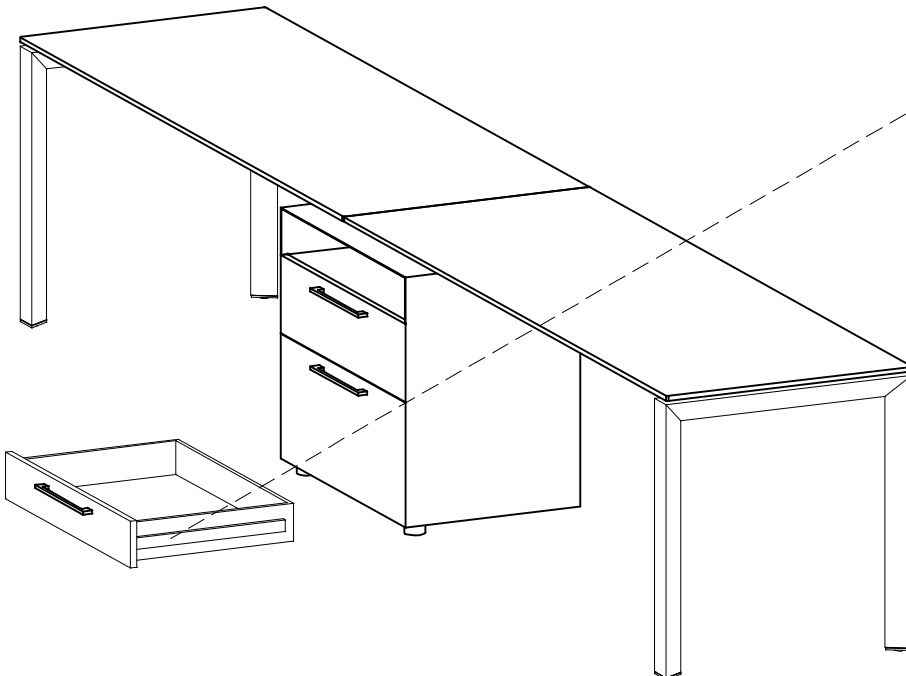
Step 3

Flip second desk over and align riser block stud with remaining slot in top of pedestal and lower into place. Rectangular hole cover is most easily removed by pushing from below. Take care not to scratch top of pedestal during this step.



Step 4

With desks resting on pedestal remove upper drawer. Press plastic release tabs on sides of drawer slides to disengage drawer.



Step 5

From inside of pedestal thread on joint connector nuts and washers. Refer back to page 1. Align desks to pedestal and tighten nuts.

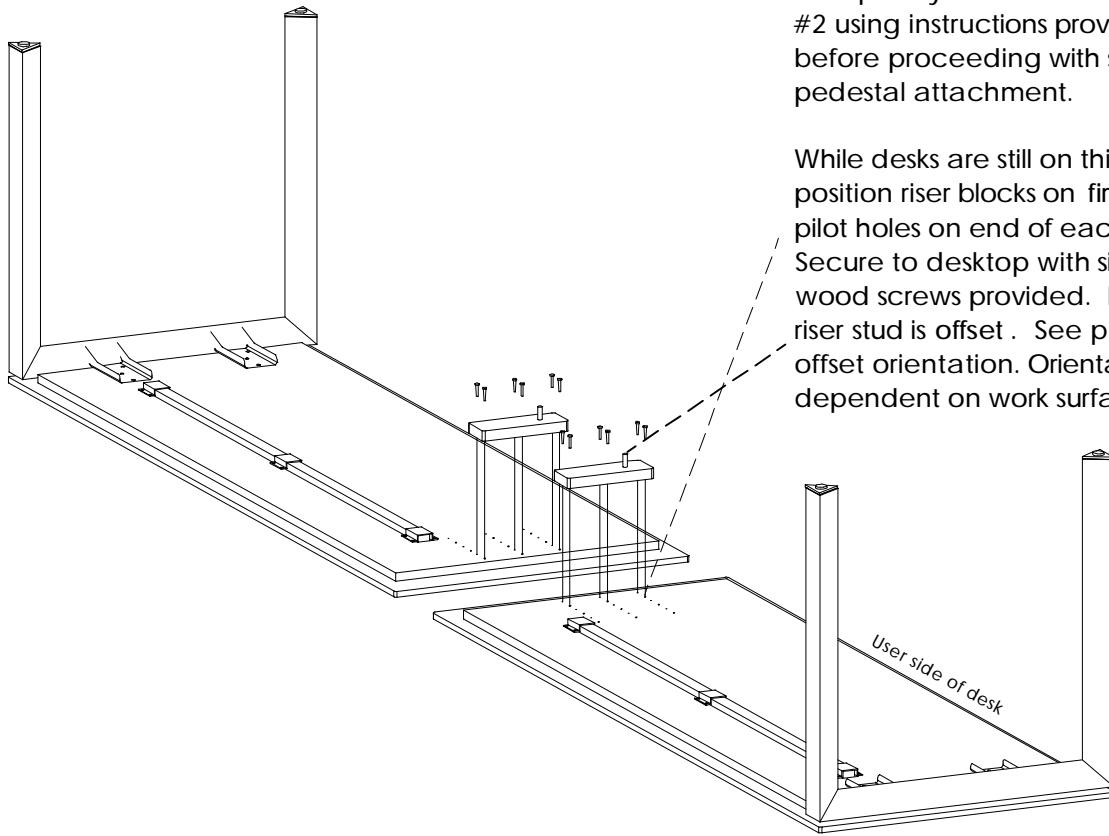


PRODUCT INSTALLATION: 30" Wide Storage Support Casegoods: Supporting Two Surfaces With Gap Between Surfaces

Step 1

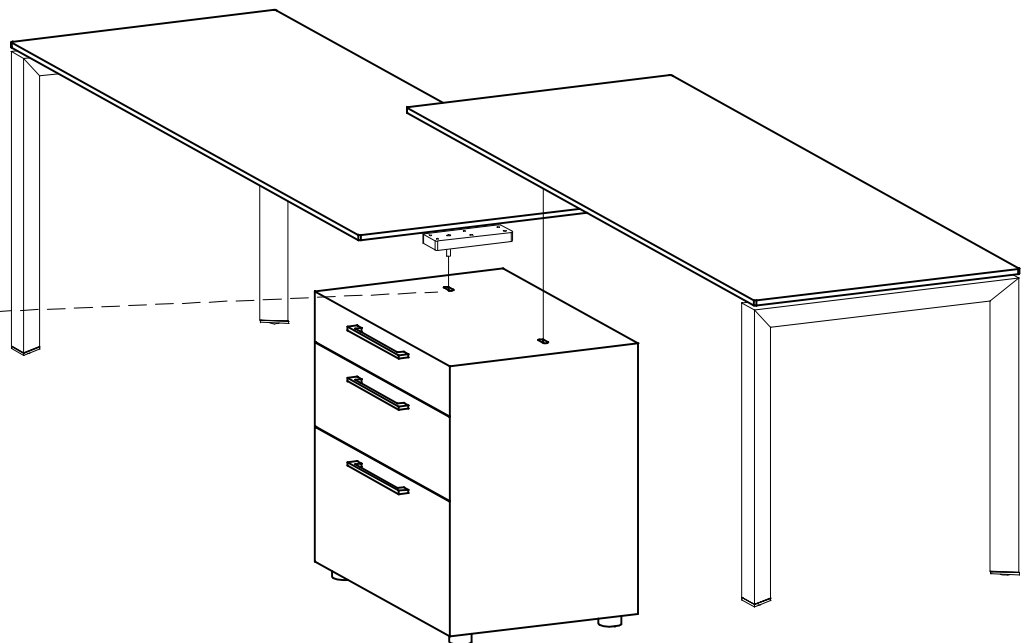
Completely assemble desk #1 and #2 using instructions provided before proceeding with support pedestal attachment.

While desks are still on their backs, position riser blocks on first set of pilot holes on end of each desk. Secure to desktop with six #10 x 3/4" wood screws provided. Note that riser stud is offset. See page 2 for offset orientation. Orientation is dependent on work surface depth.



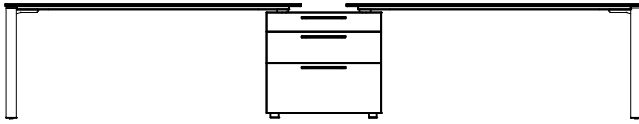
Step 2

Flip first desk over and align riser block stud with slot in top of pedestal and lower into place. Rectangular hole cover is most easily removed by pushing from below. Take care not to scratch top of pedestal during this step.



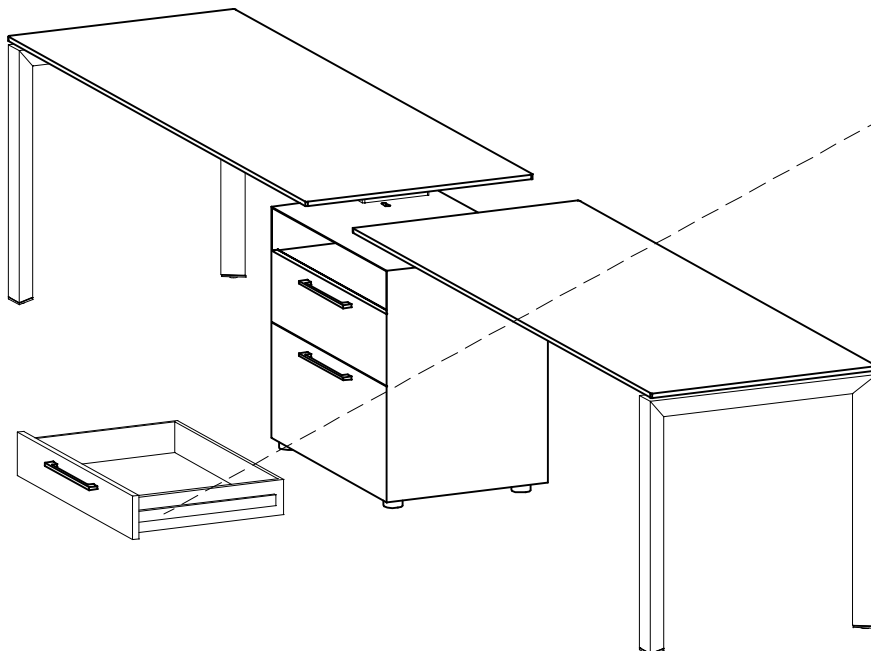
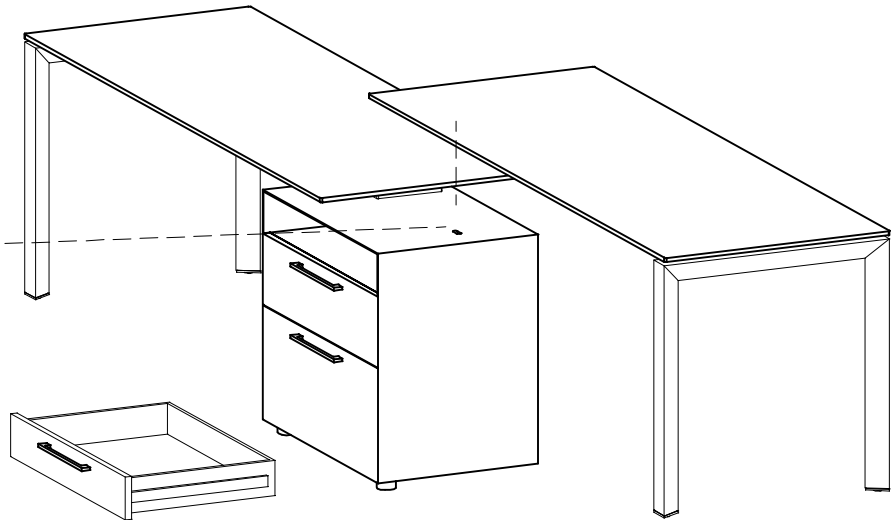


PRODUCT INSTALLATION: 30" Wide Storage Support Casegoods: Supporting Two Surfaces With Gap Between Surfaces



Step 3

Flip second desk over and align riser block stud with remaining slot in top of pedestal and lower into place. Rectangular hole cover is most easily removed by pushing from below. Take care not to scratch top of pedestal during this step.

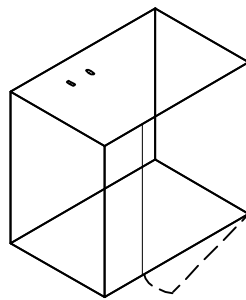
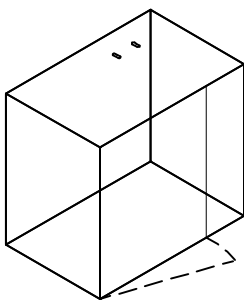
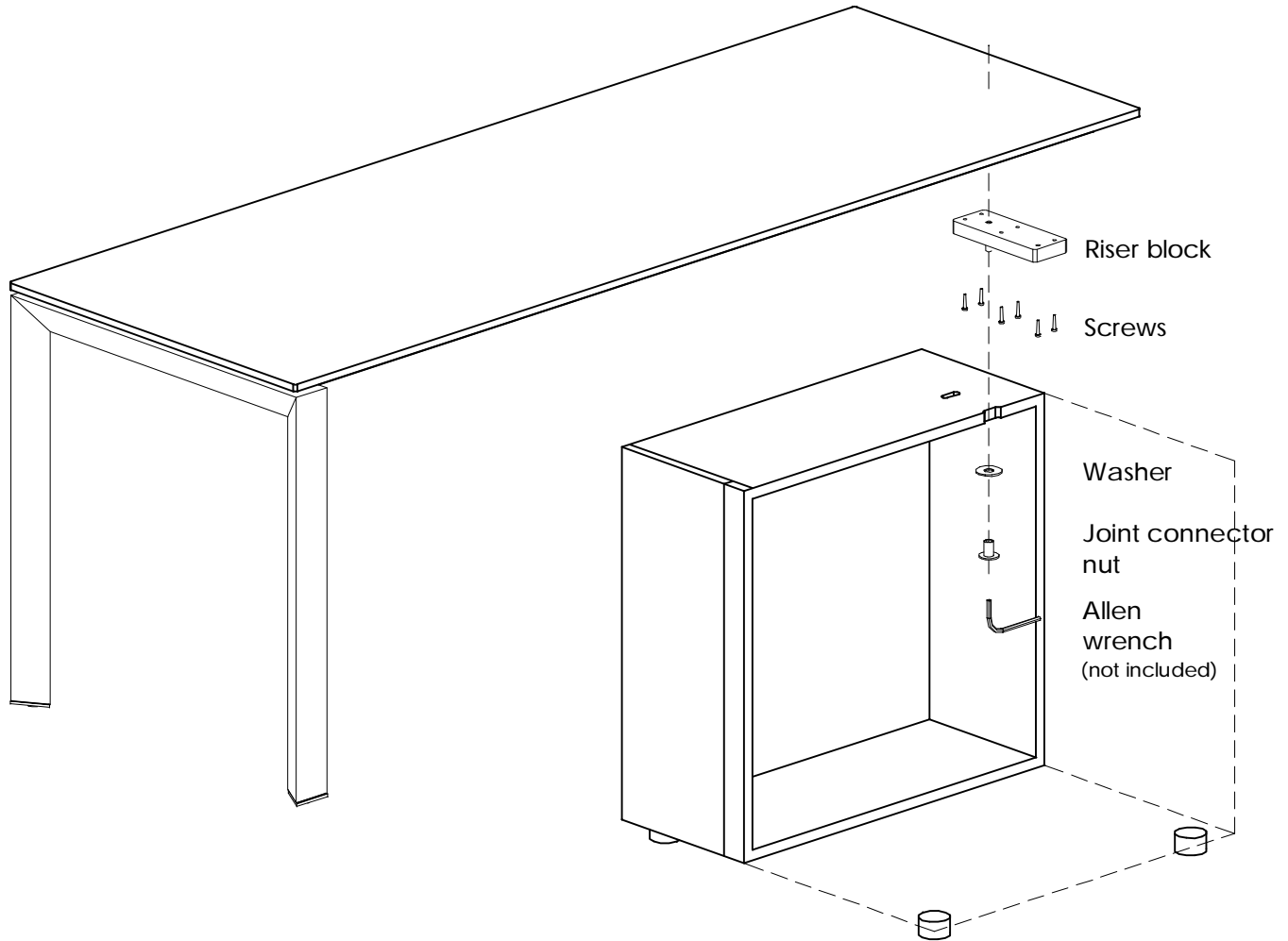


Step 4

With desks resting on pedestal remove upper drawer. Press plastic release tabs on sides of drawer slides to disengage drawer.

Step 5

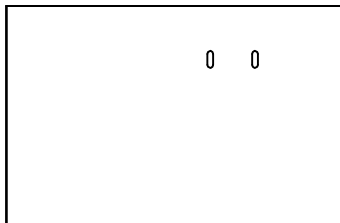
From inside of pedestal thread on joint connector nuts and washers. Refer back to page 1. Align desks to pedestal and tighten nuts.



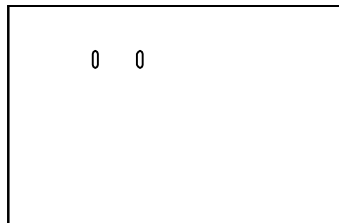
Top view of pedestals shown. Note positioning of bolt through locations.

Above graphic is an overview of how the storage unit attaches to desk.

Show at left are the left and right hand versions of the single door storage support unit that mounts 90 degrees to worksurface.



Front edge of left hand storage unit.



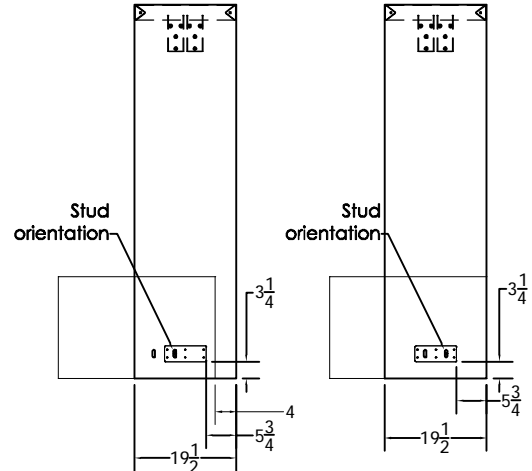
Front edge of right hand storage unit.

Completely assemble desk using instructions provided before proceeding with support pedestal attachment.



Step 1

Keep the completely assembled desk on its back.

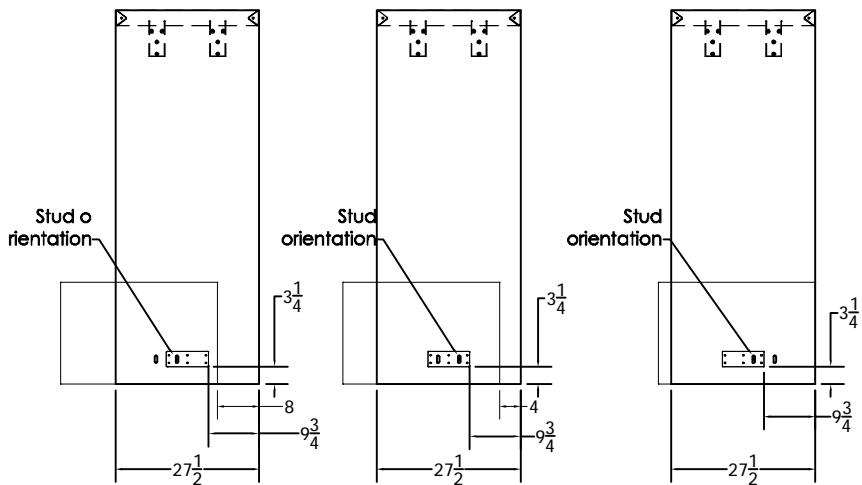


20" deep worksurfaces

Step 2

Use plan view chart at right for positioning and orientation of riser block onto work surface. this is a top down see-through view.

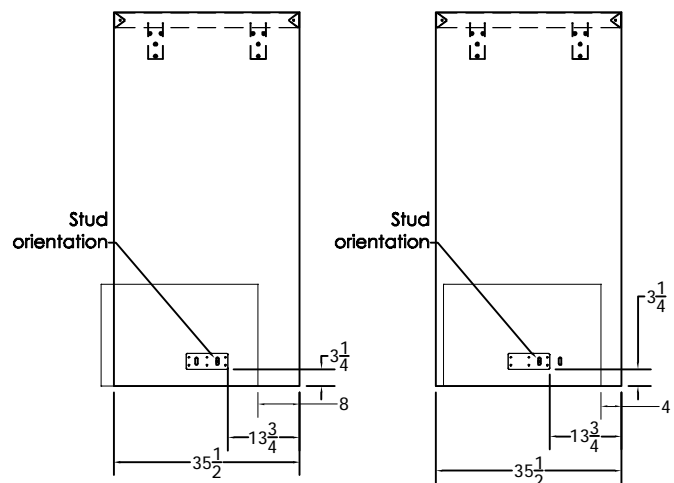
The riser block will align with the set of pilot holes that are closest to the end of the desk.



28" deep worksurfaces

Step 3

Position riser block on bottom of desk and secure to desktop with six #10 x 3/4" wood screws provided.



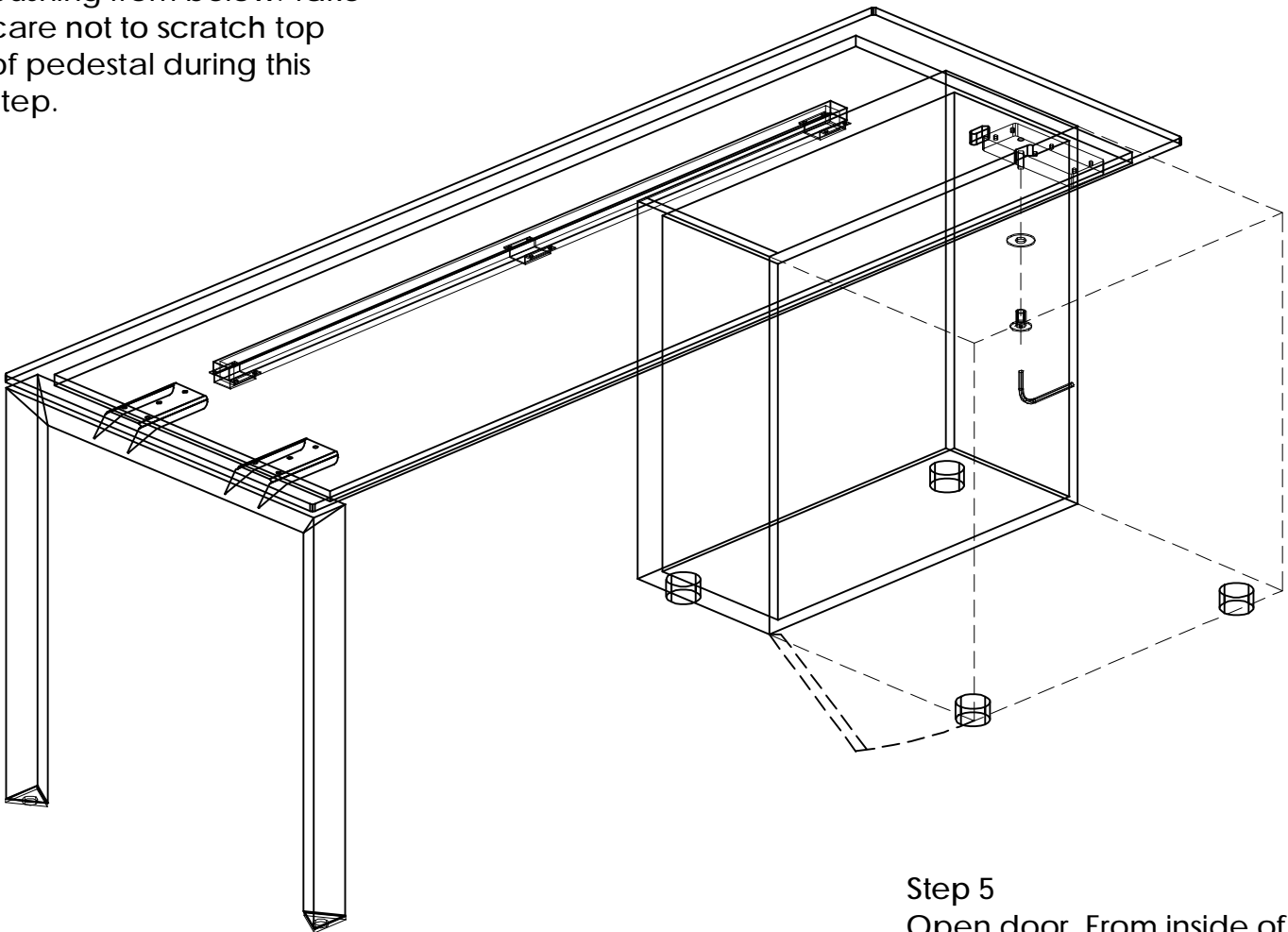
36" deep worksurfaces



Step 4

Flip desk over and align riser block stud with slot in top of pedestal and lower into place.

Rectangular hole cover is most easily removed by pushing from below. Take care not to scratch top of pedestal during this step.



Step 5

Open door. From inside of pedestal thread on joint connector nut and washer. Align desk to pedestal and tighten nut.