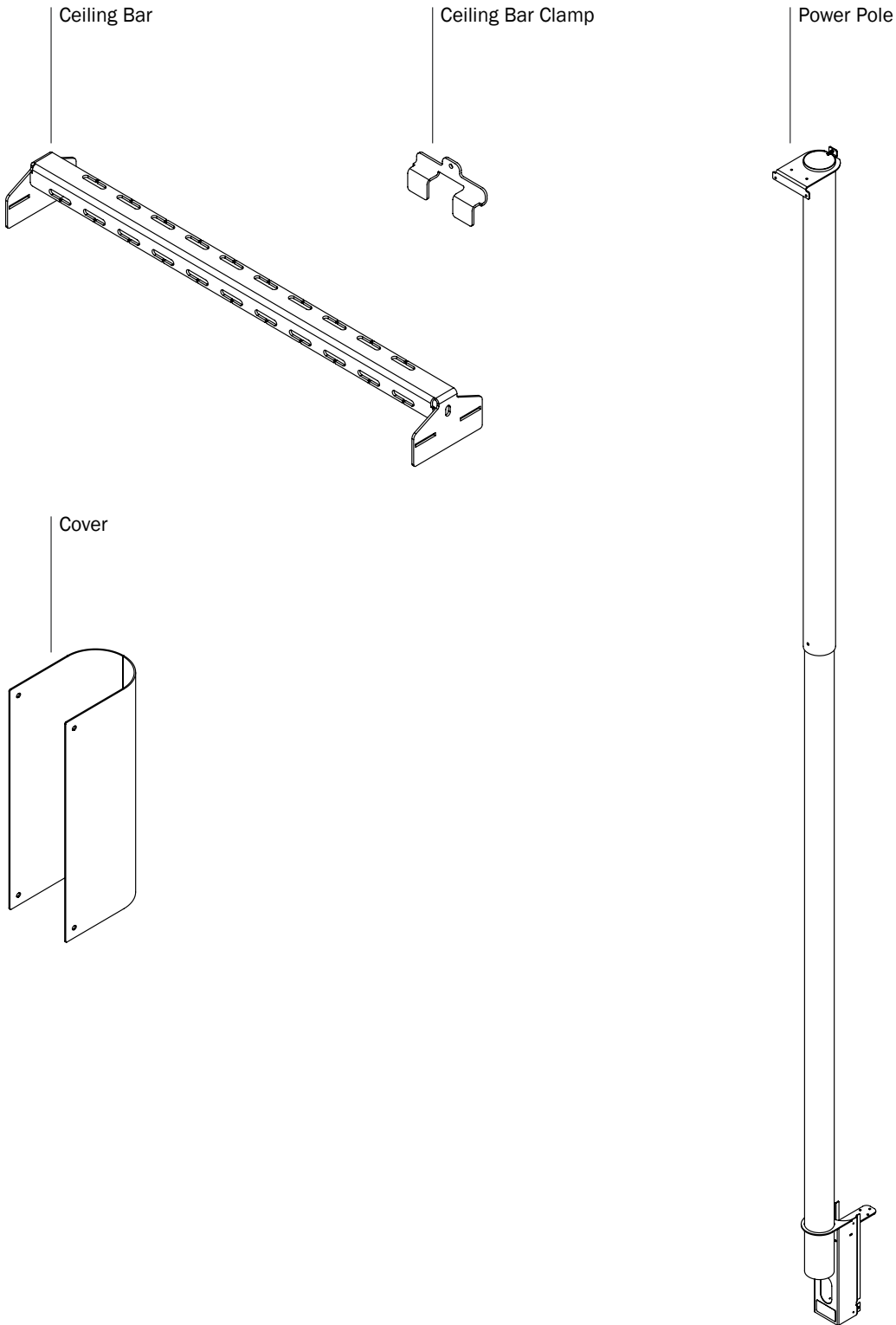


# ASSEMBLY

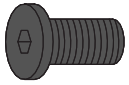
## Edison Junior Power Pole



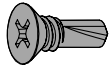
# Edison Junior Power Pole Components



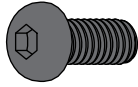
# Hardware



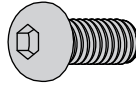
M6-1.0x12mm Low Profile Cap Screw (0001140)



M4 X 8mm Thread Cutting Screw (0003016)

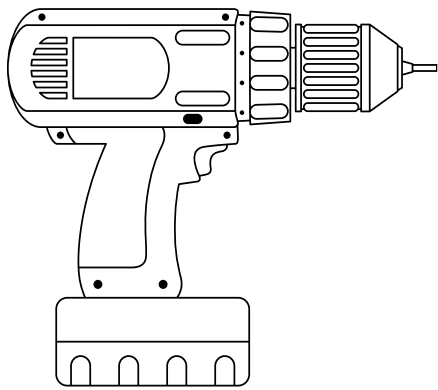


M6-1.0 X 12mm Button Head Cap Screw, Black (125285, Black) (125290, Zinc)



8/32 X 1/4 Thread Cutting Screw (121405)

# Tools



Electric Drill



3mm Hex Bit

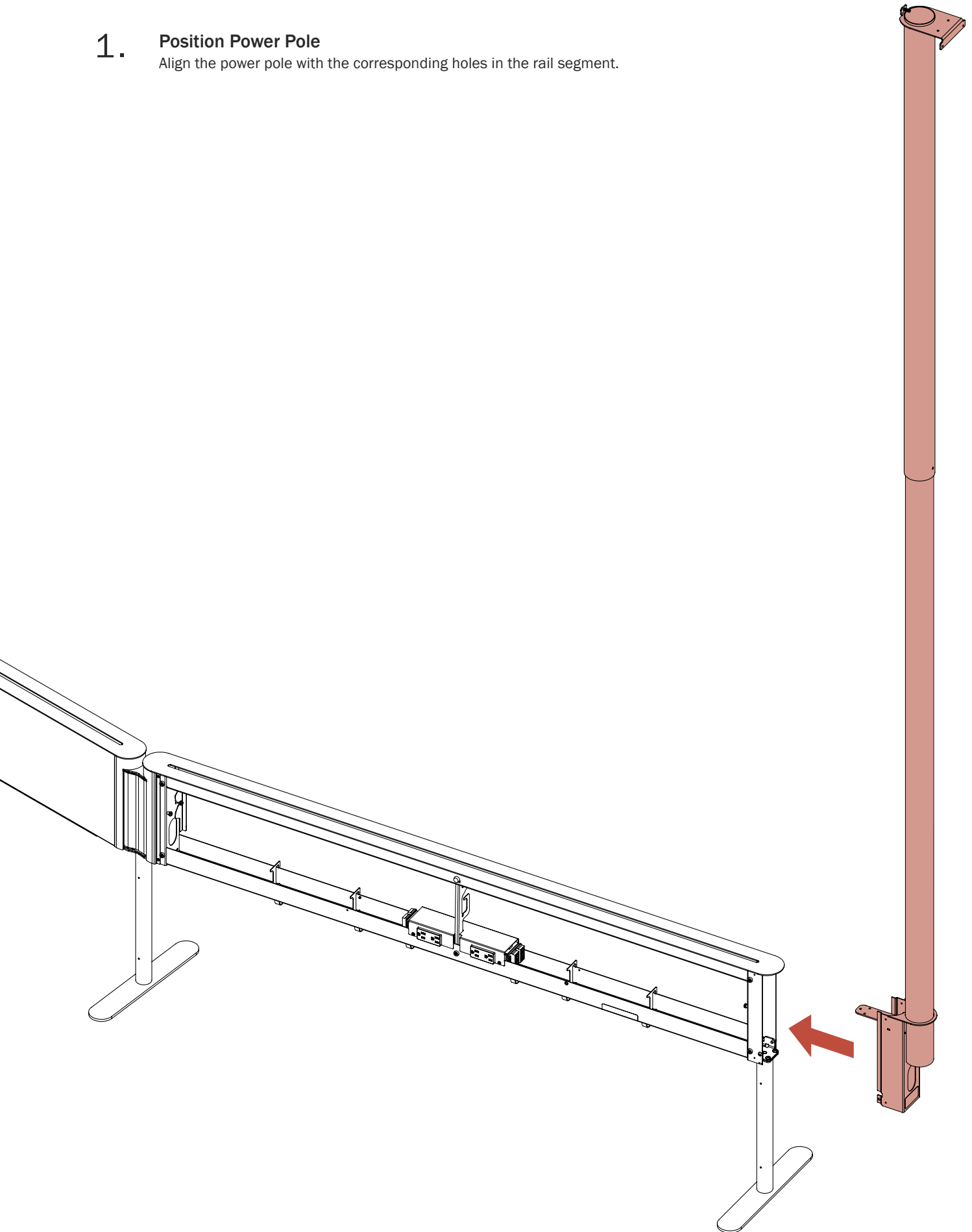


4mm Hex Bit



Phillips Bit

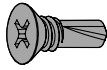
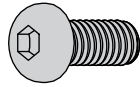
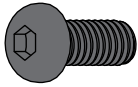
- 1. Position Power Pole**  
Align the power pole with the corresponding holes in the rail segment.



## 2.

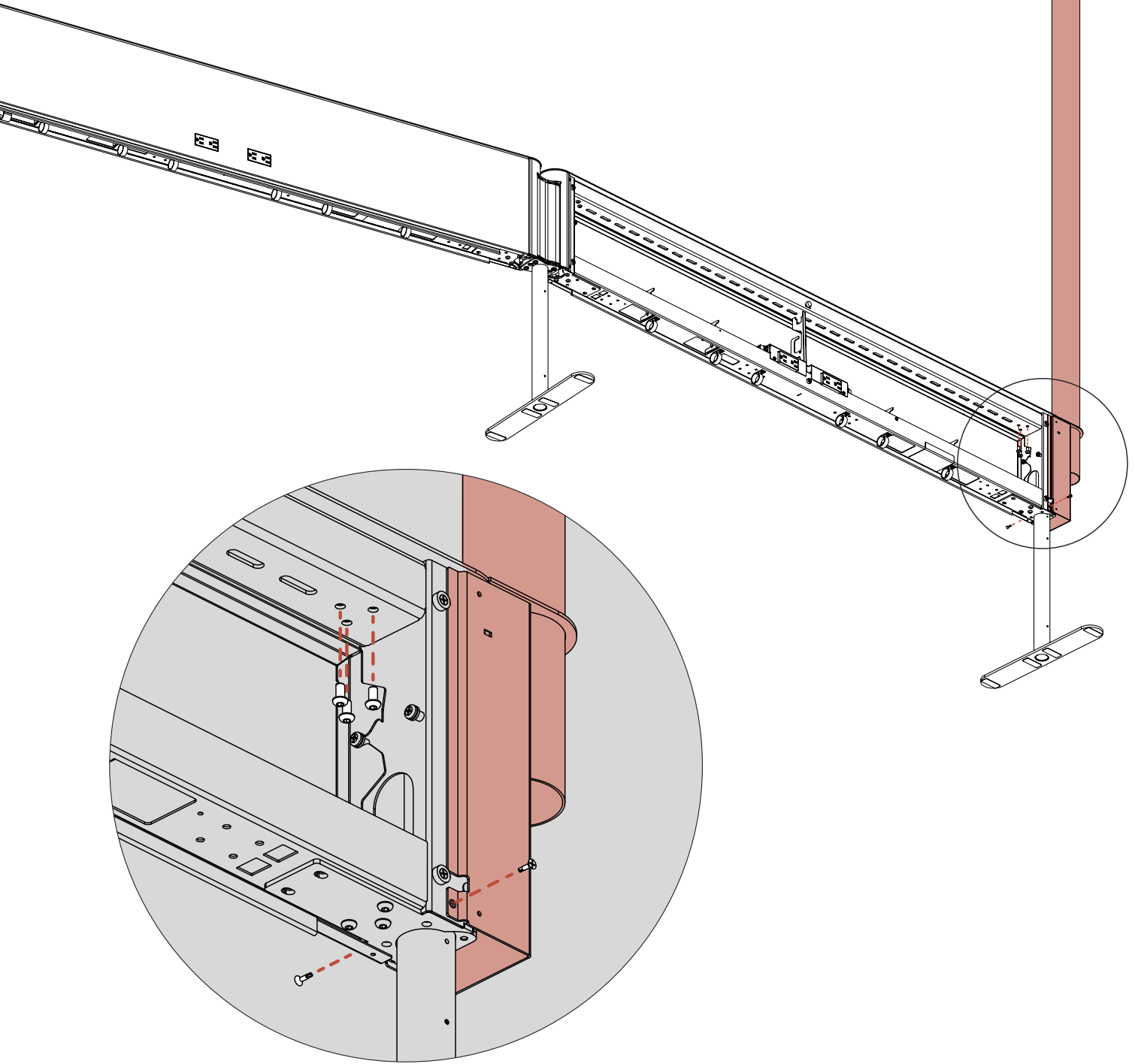
### Secure Power Pole

Secure the power pole to the rail using (3) M6 X 12mm screws and (2) M4 X 8mm screws.



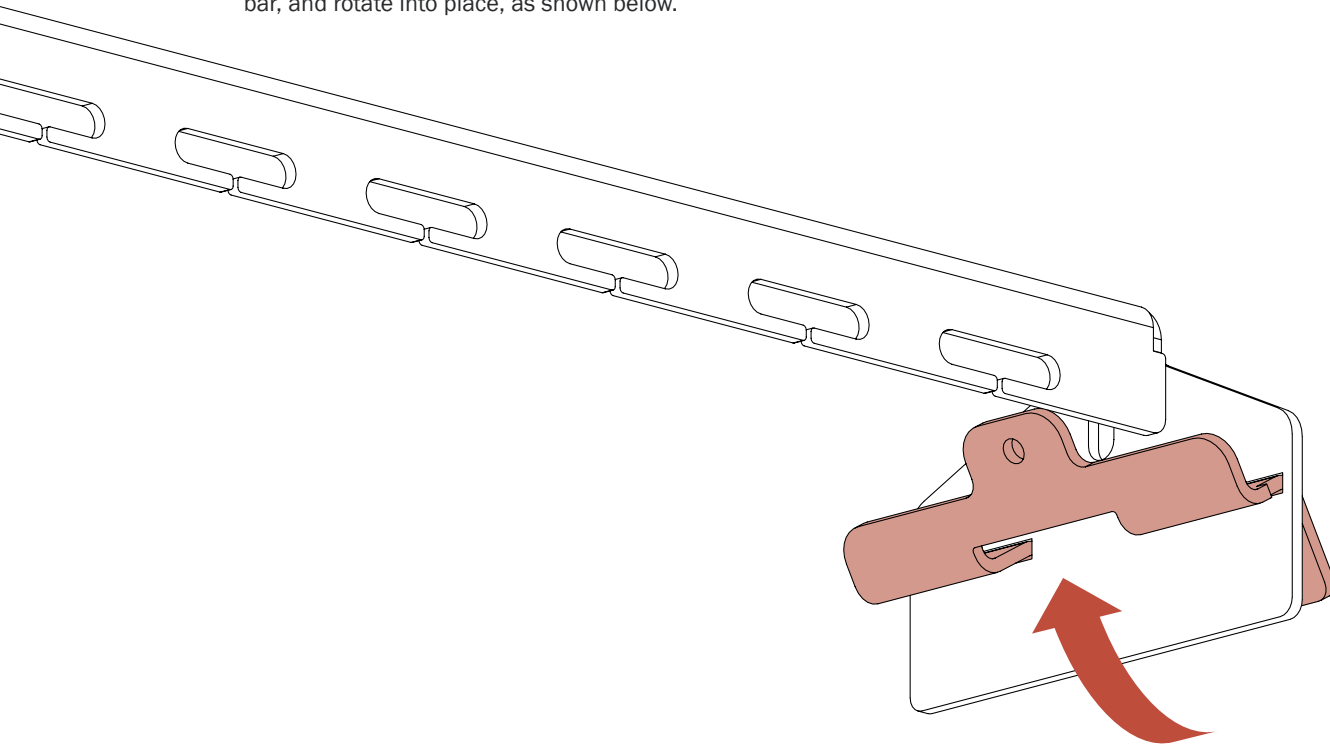
M6-1.0 X 12mm Button  
Head Cap Screw, Black  
(125285, Black)  
(125290, Zinc)

M4 X 8mm Thread  
Cutting Screw  
(0003016)



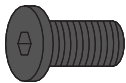
### 3. Attach Clamp to Ceiling Bar

Fit the ceiling bar clamp into the slots at the end of the ceiling bar, and rotate into place, as shown below.

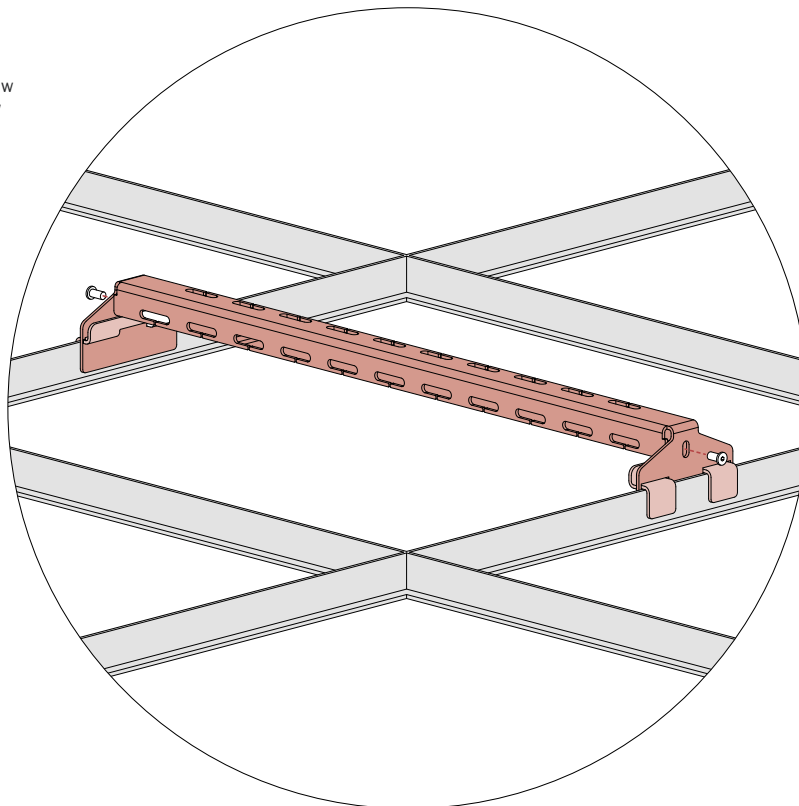


### 4. Mount Ceiling Bar to Ceiling

Hook the ceiling bar on the 2' ceiling grid and screw the clamp to the ceiling bars with one screw on each side. Note: ensure that ceiling system has required weight capacity.



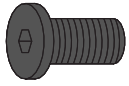
M6-1.0x12mm Low Profile Cap Screw (0001140)



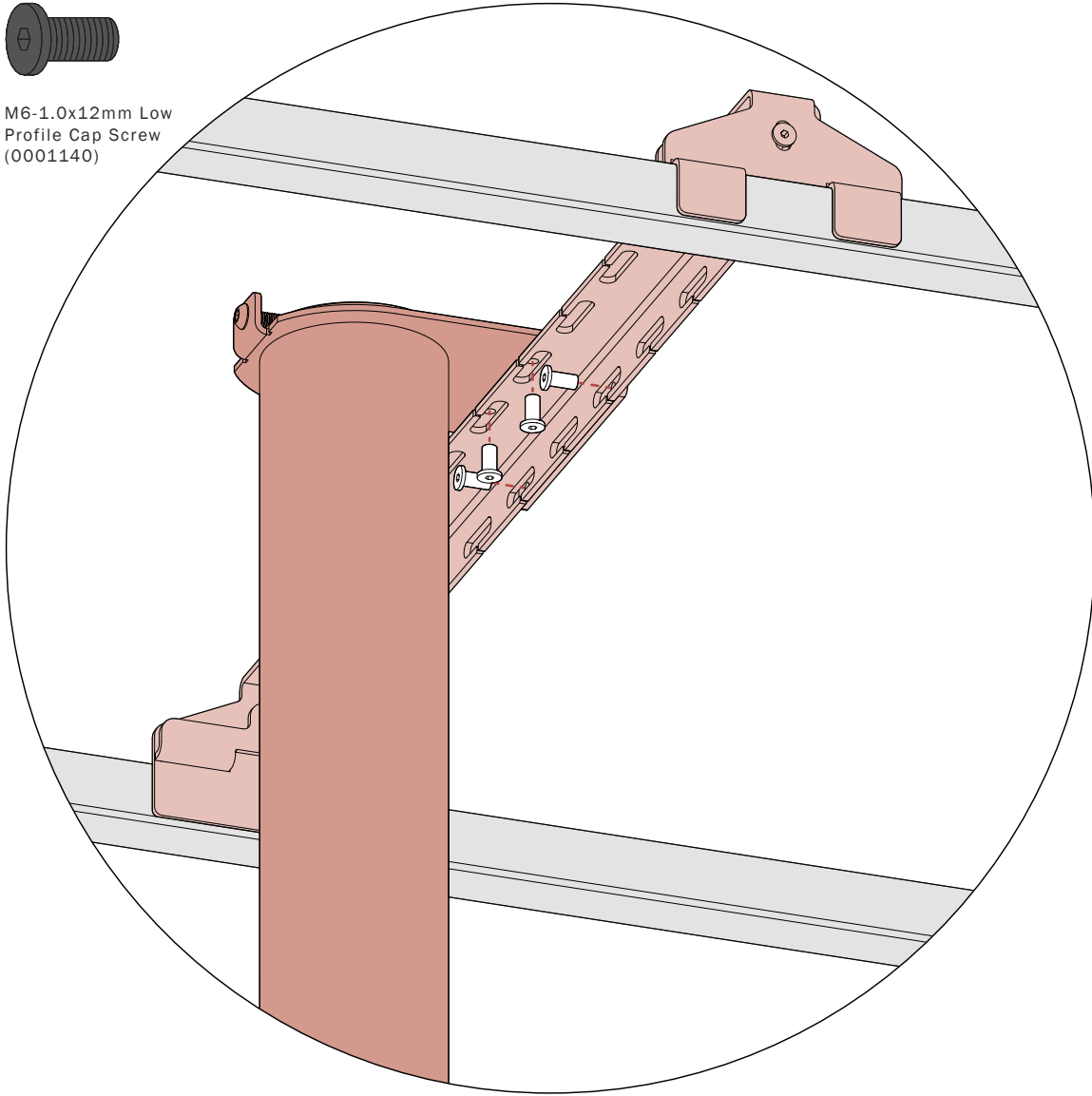
5.

**Connect Power Pole to Ceiling**

Hook the power pole onto the ceiling bar, and align the pole with the bracket at the desired position. Screw the pole to the ceiling bar using (4) screws.



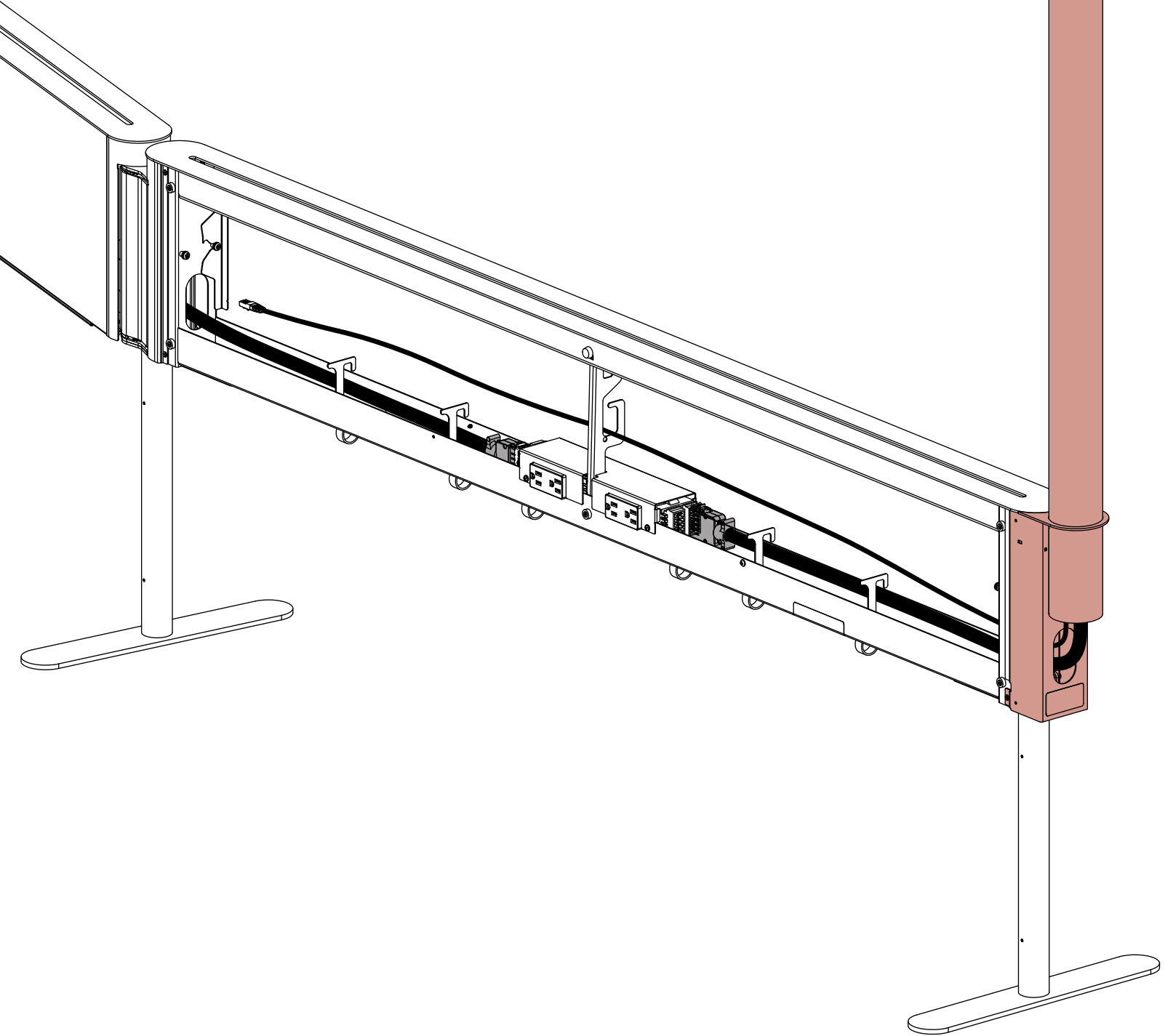
M6-1.0x12mm Low  
Profile Cap Screw  
(0001140)



6.

**Power Pole Cabling**

Run the cables down from the ceiling through the pole and through the rail end. Continue to run cables as required.





7.

### Secure Power Pole Cover

Slide the cover onto the power pole from the outside and secure to the rail using (4) screws.



8/32 X 1/4 Thread  
Cutting Screw  
(121405)

