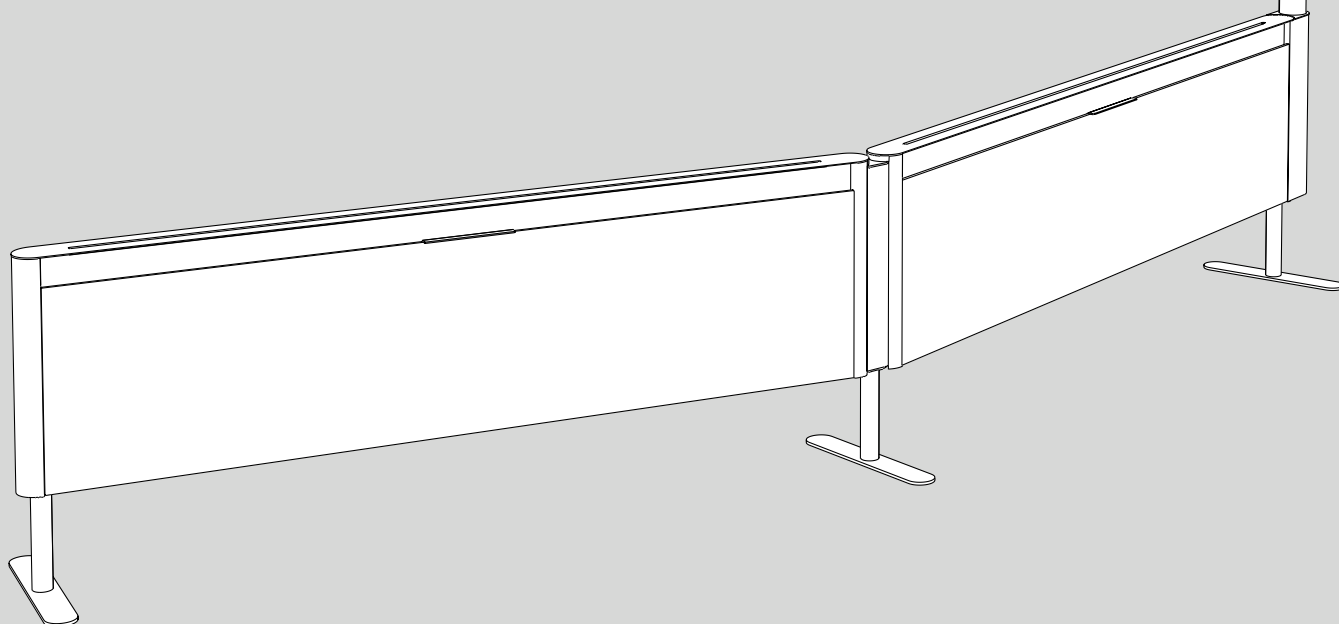
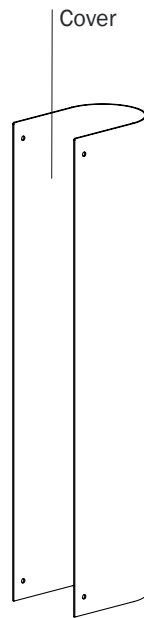
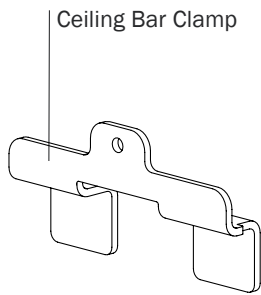
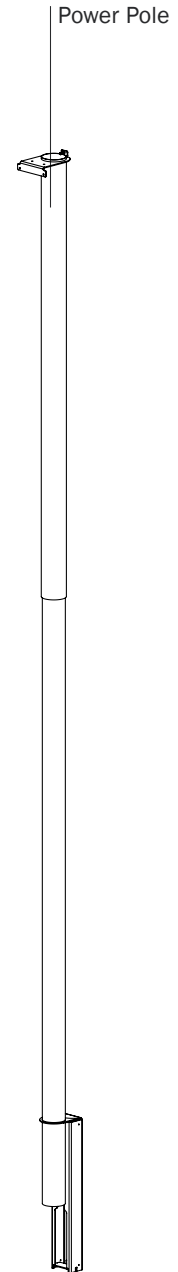
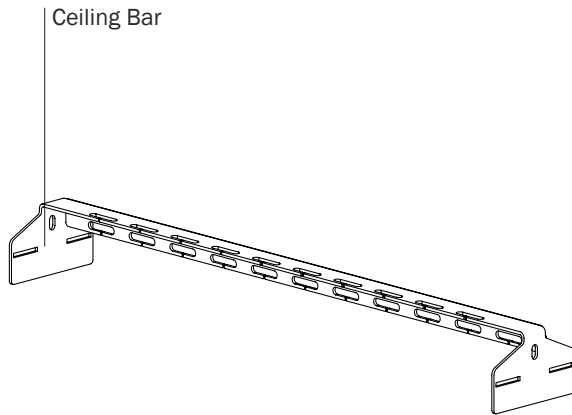


ASSEMBLY

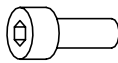
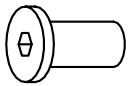
Edison Senior Power Pole



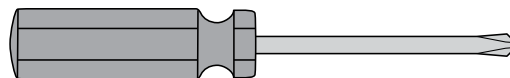
Edison Senior Power Pole Basic Components



Hardware



Tools

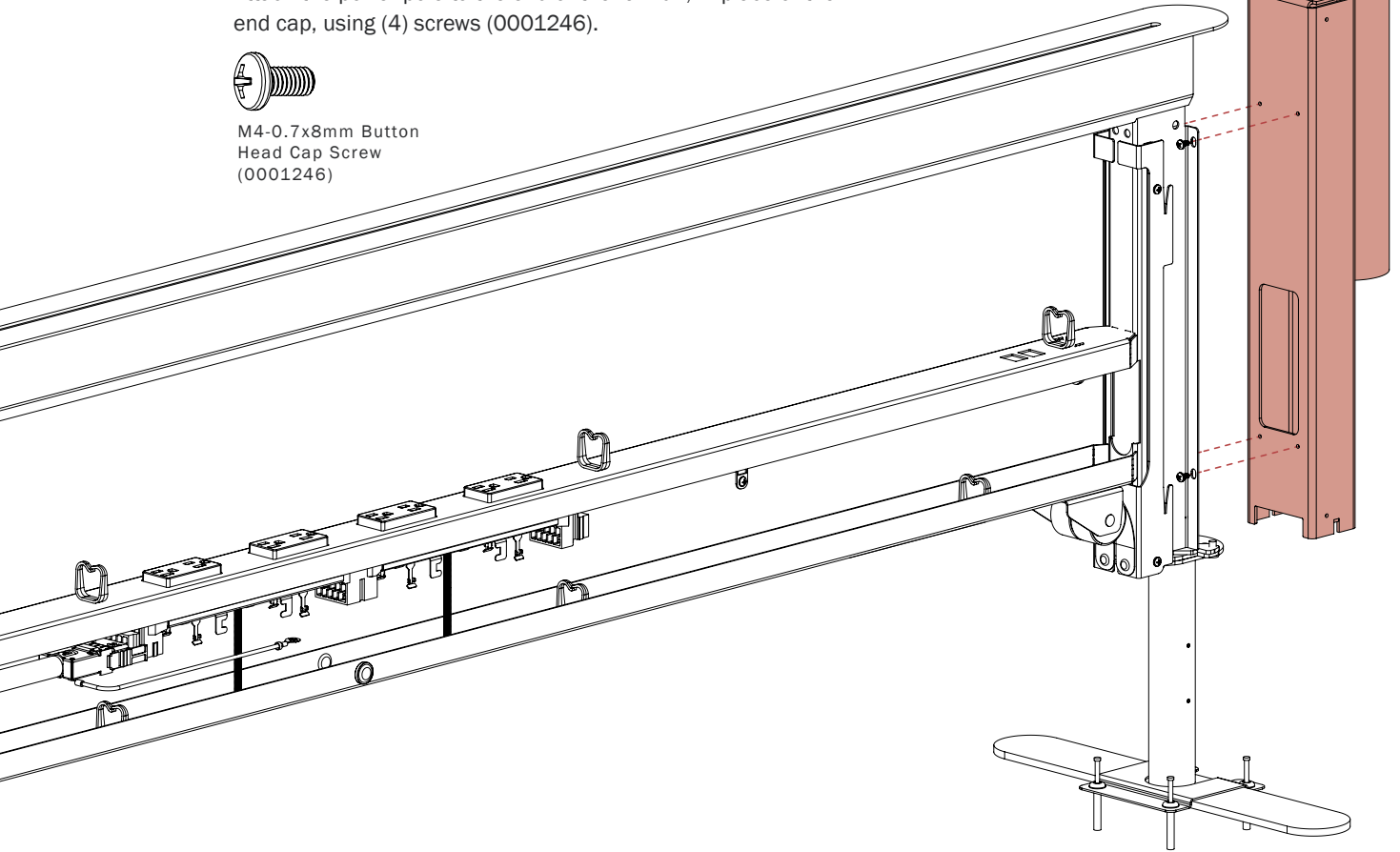


1. Attach Power Pole to End Leg

Attach the power pole to the end of the rail run, in place of the end cap, using (4) screws (0001246).

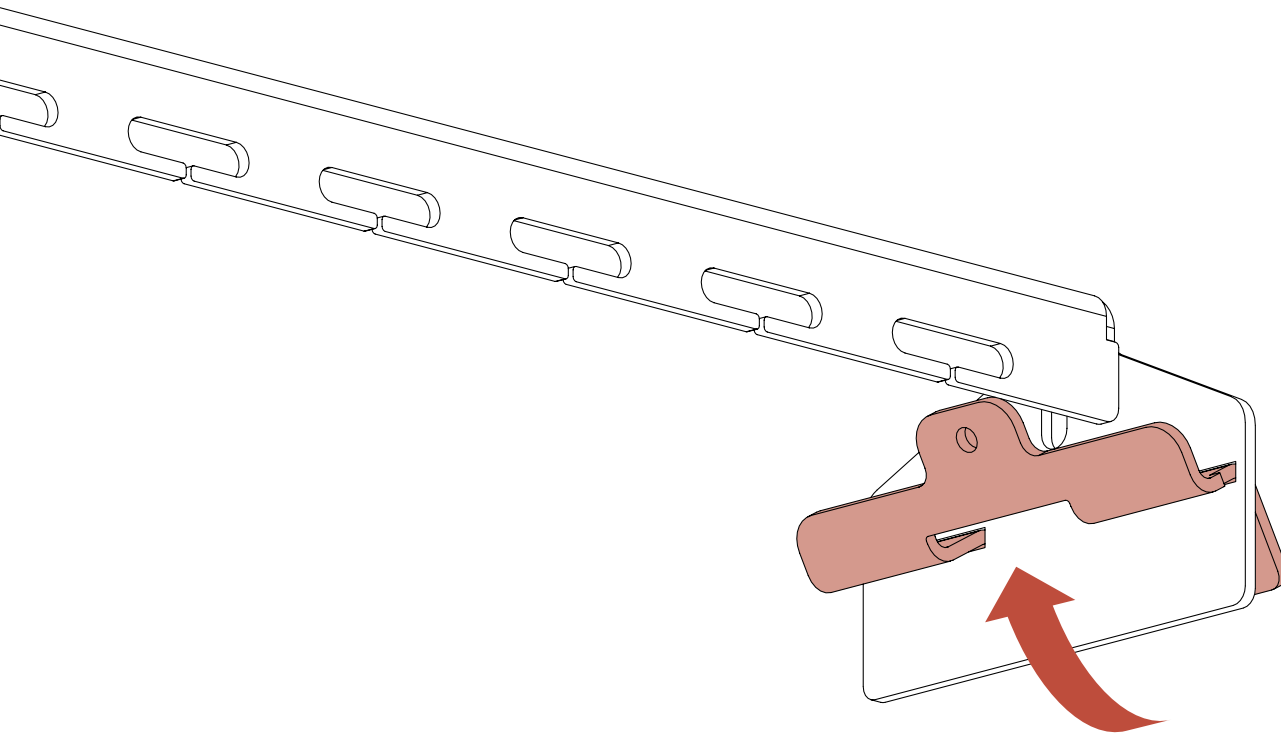


M4-0.7x8mm Button
Head Cap Screw
(0001246)



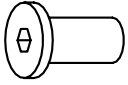
2. Attach Clamp to Ceiling Bar

Fit the ceiling bar clamp into the slots at the end of the ceiling bar, and rotate into place, as shown below.

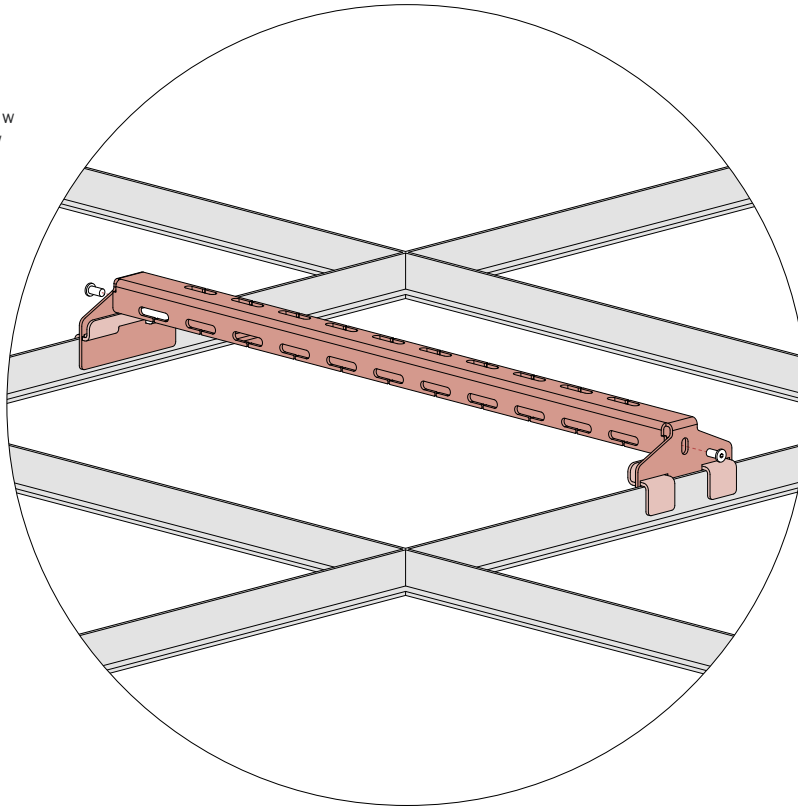


3. Mount Ceiling Bar to Ceiling

Hook the ceiling bar on the 2' ceiling grid and screw the clamp to the ceiling bars with one screw (0001140) on each side. Note: ensure that ceiling system has required weight capacity.

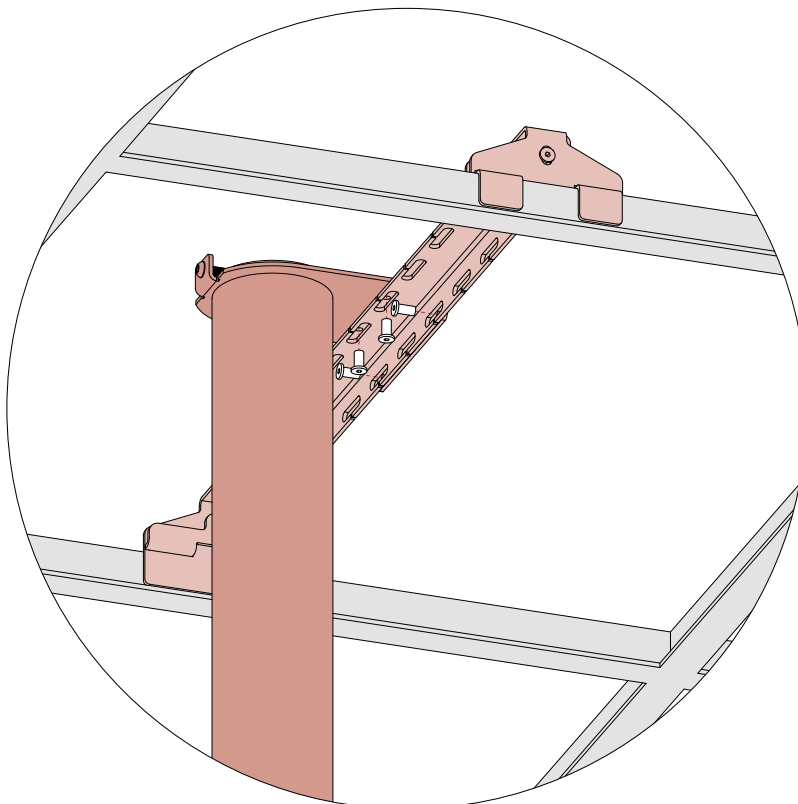


M6-1.0x12mm Low Profile Cap Screw (0001140)



4. Connect Power Pole to Ceiling

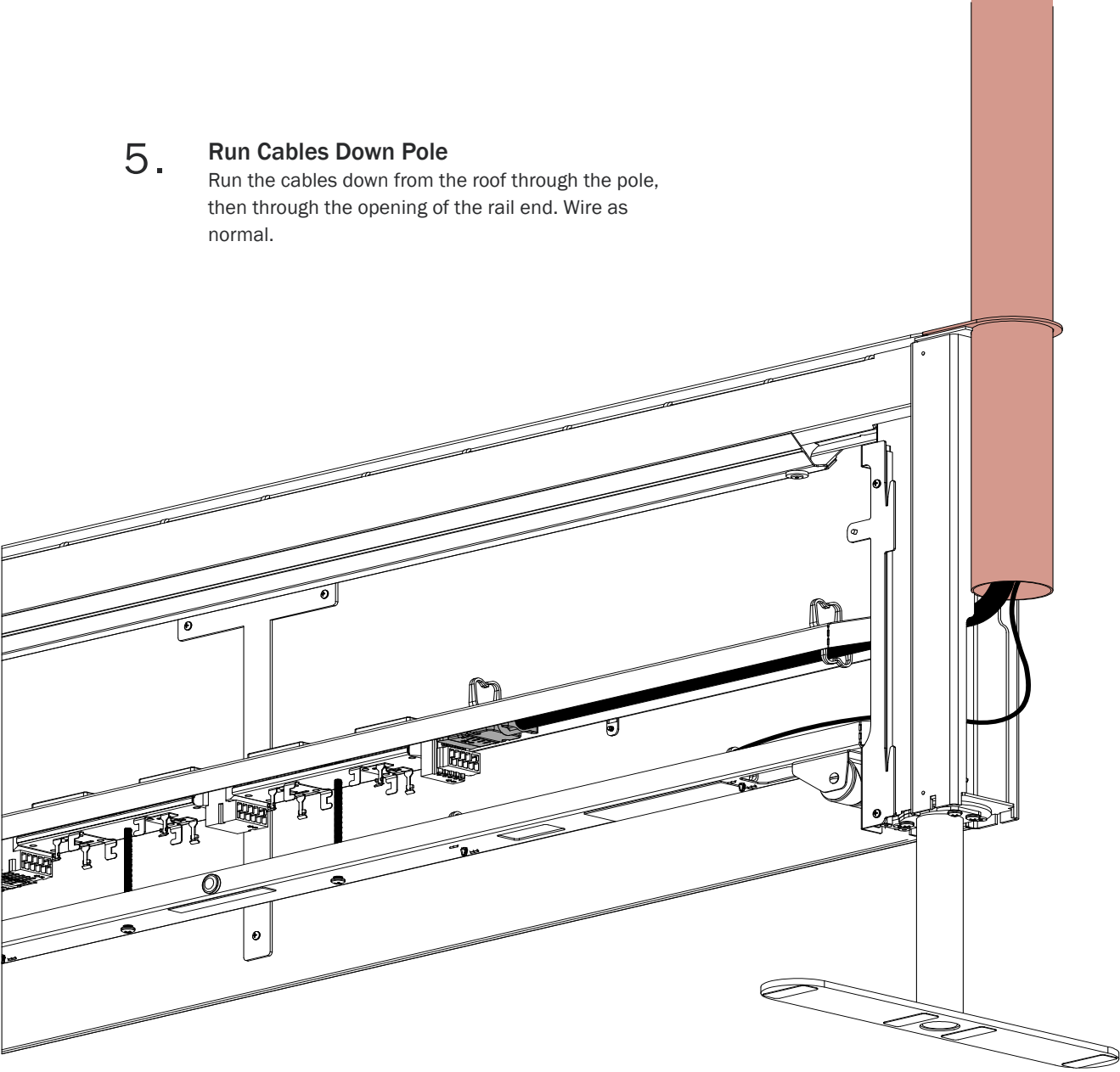
Hook the power pole onto the ceiling bar, and align the pole with the bracket at the desired position. Screw the pole to the ceiling bar using (4) screws (0001140).



5.

Run Cables Down Pole

Run the cables down from the roof through the pole, then through the opening of the rail end. Wire as normal.



6. Mount Cover

Place cover around the power pole and secure with four screws, two screws per side.



M4-0.7x8mm Button
Head Cap Screw
(0001246)

