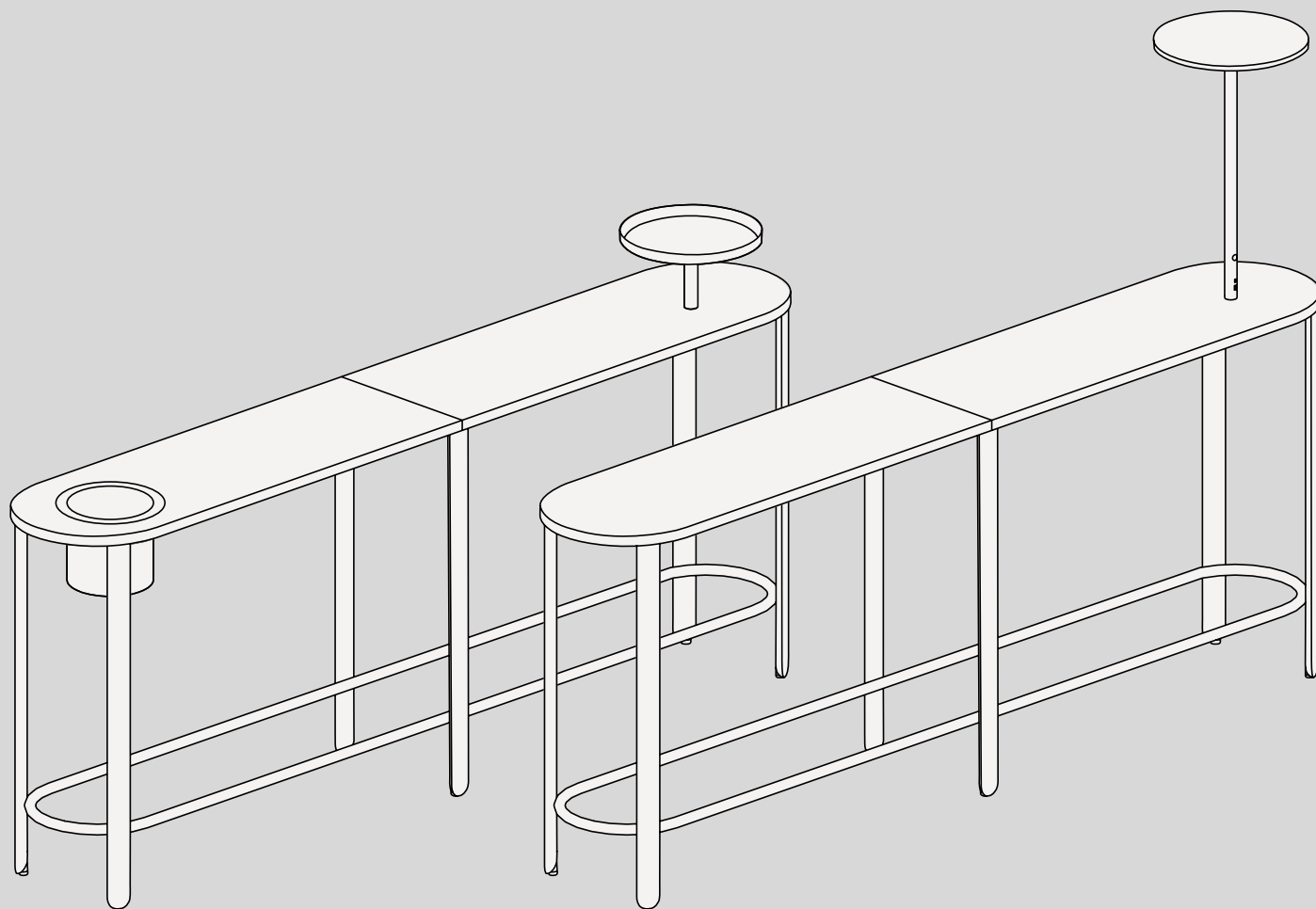
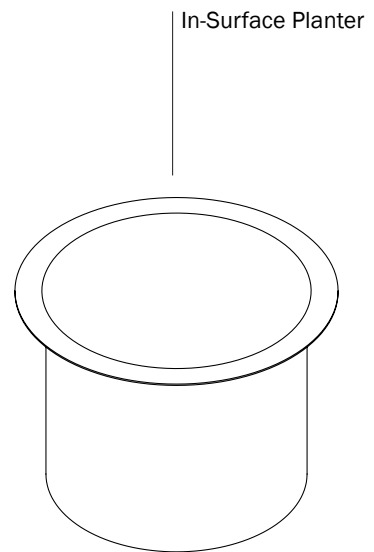
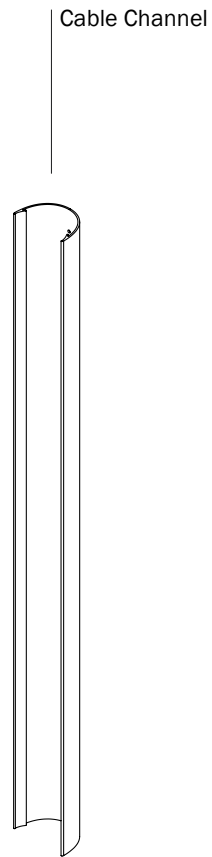
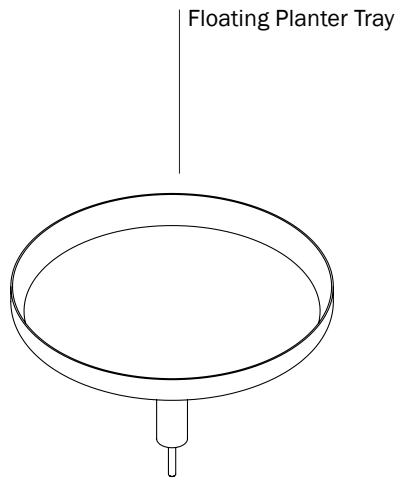


# ASSEMBLY

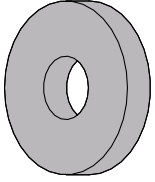
## Haven Table Accessories



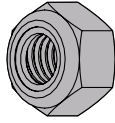
# Haven Table Accessory Components



# Hardware

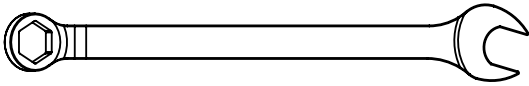


M8 Washer, 23mm  
OD (0001567)  
(For Floating Planter  
Tray only)



M8 Nylock Nut  
(0001248)  
(For Floating Planter  
Tray only)

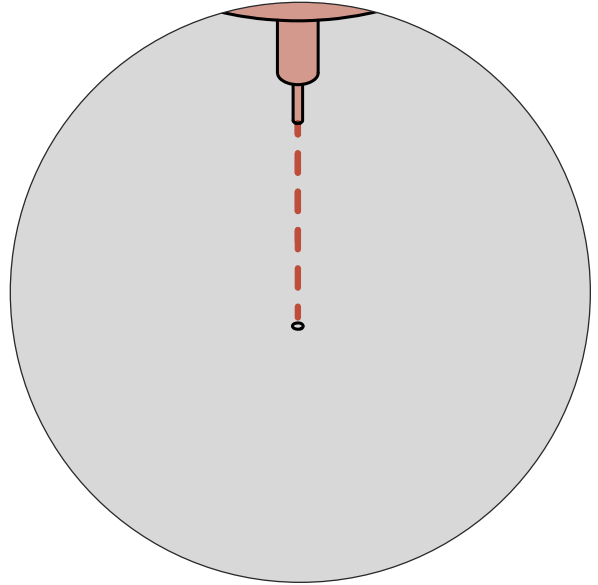
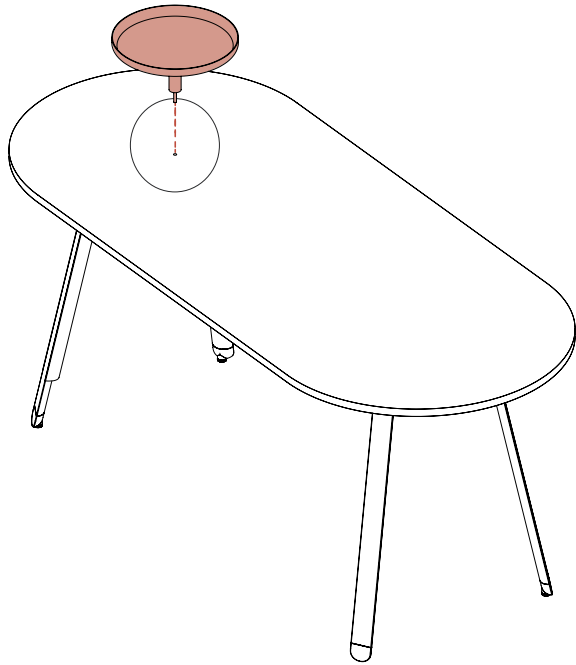
# Tools



13mm wrench  
(For Floating Planter  
Tray only)

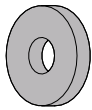
# 1. Floating Planter Tray: Place Planter Tray into Cutout

Place the stem of the Floating Planter Tray in the appropriate surface cutout hole.



# 2. Secure Planter Tray

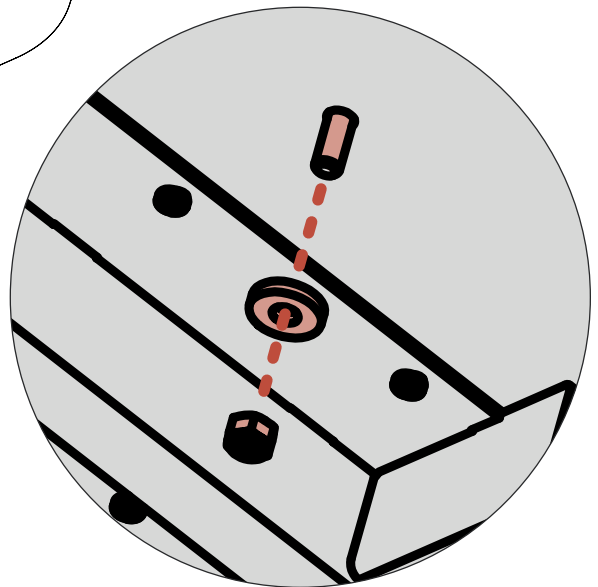
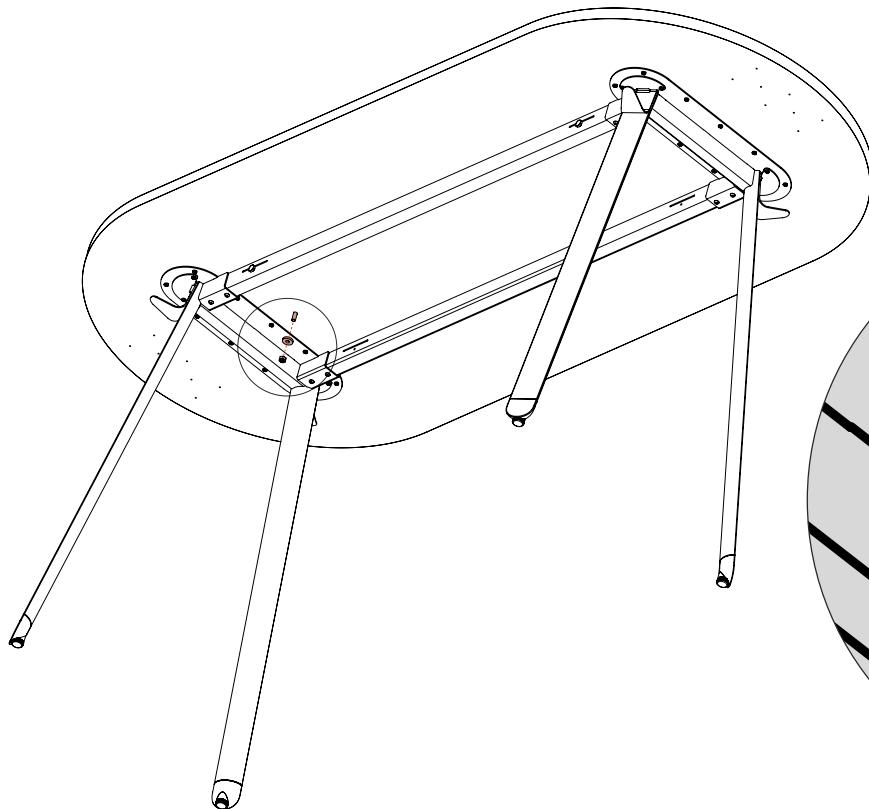
Place the washer and nut onto the planter tray stem. Secure the nut onto the stem using a 13mm wrench.



M8 Washer, 23mm OD (0001567)  
(For Floating Planter Tray only)

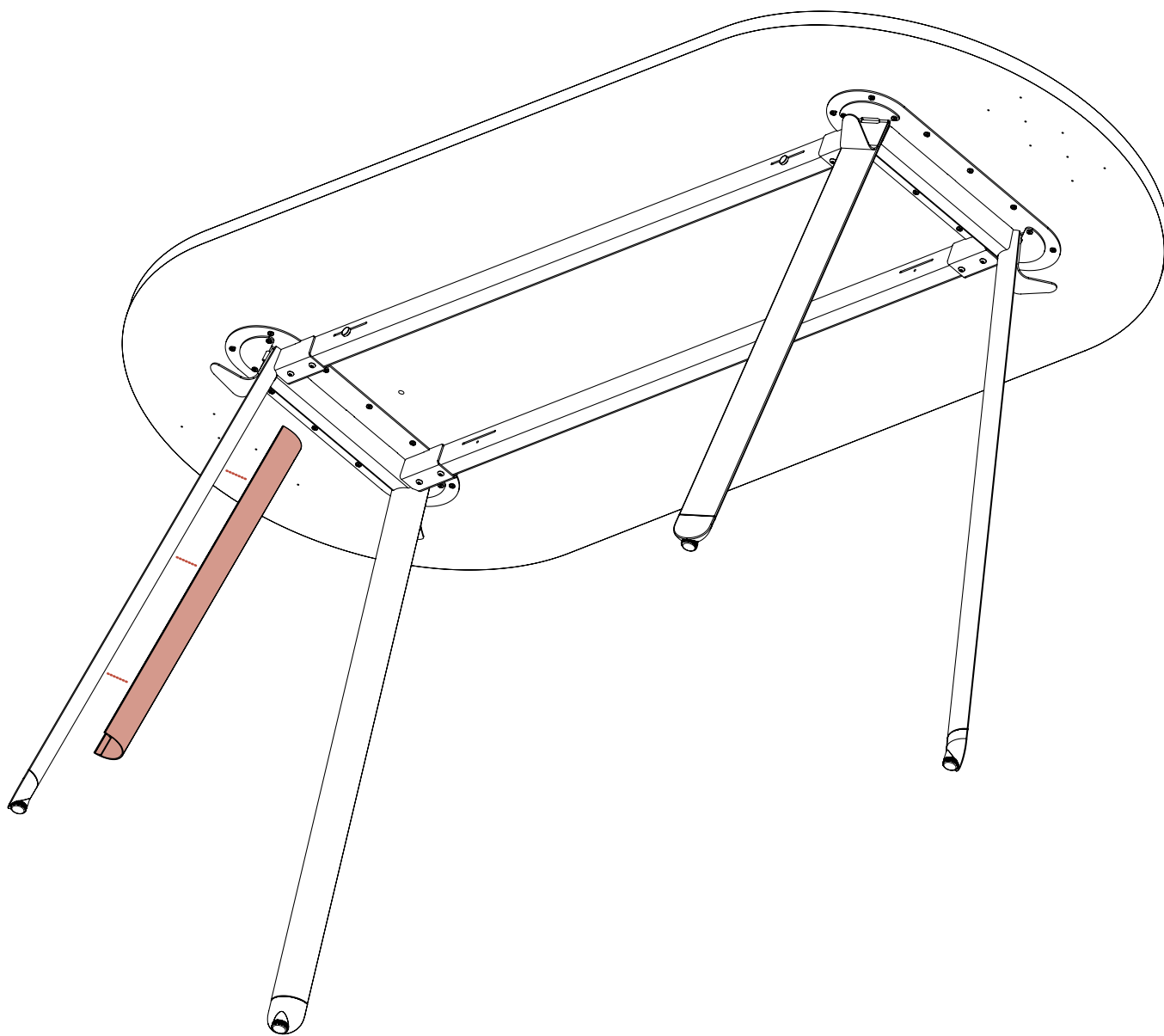


M8 Nylock Nut (0001248)  
(For Floating Planter Tray only)



# 1. Cable Channel: Install the cable Channel

Place the cable channel extrusion on the rounded side of the table leg. Apply even pressure to the extrusion until it firmly clicks into place. No hardware is needed to secure it in place.



- 1. In-Surface Planter: Install the In-Surface Planter**  
Place the in-surface planter into the large surface cutout. No hardware is needed to secure it in place.

