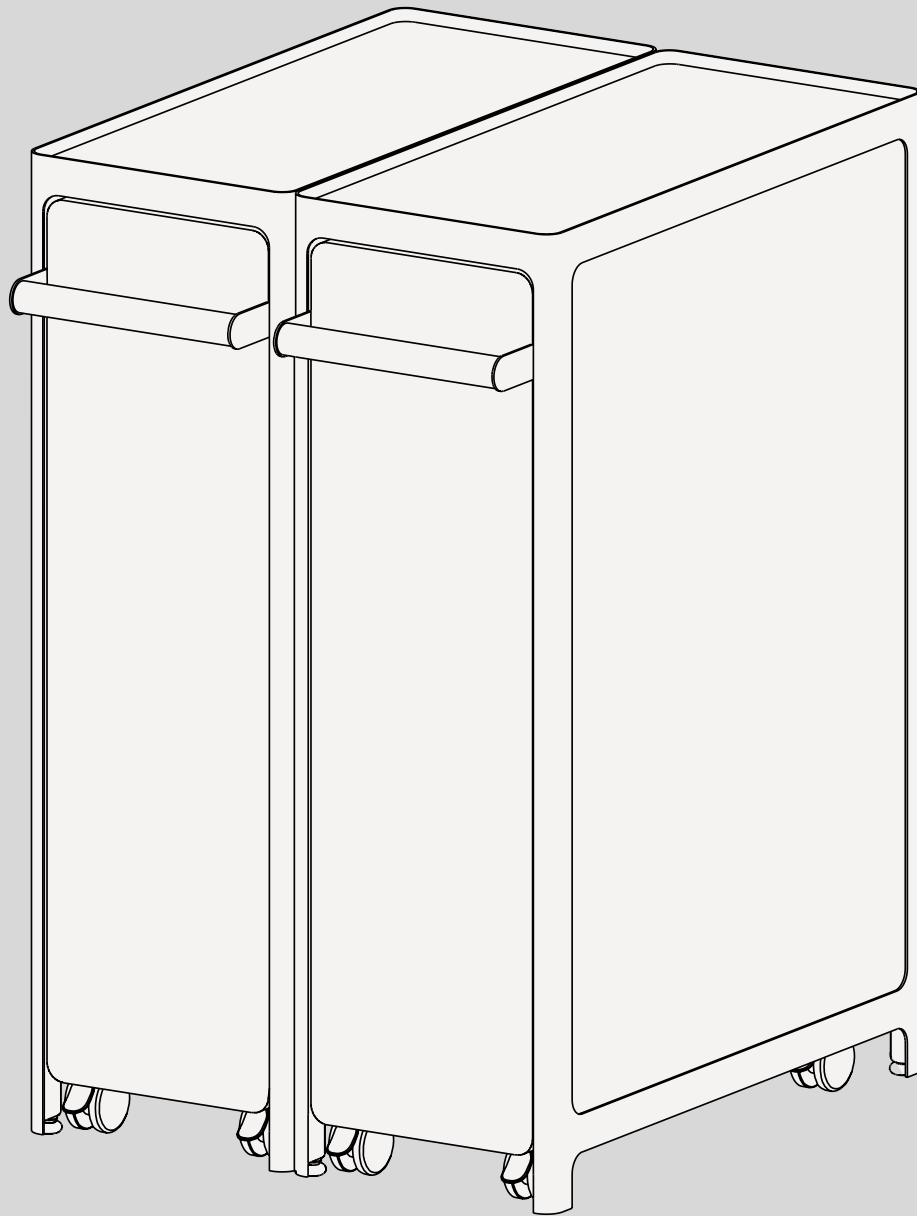
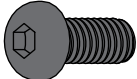


ASSEMBLY

C9 Cart & Garage Ganging Kit



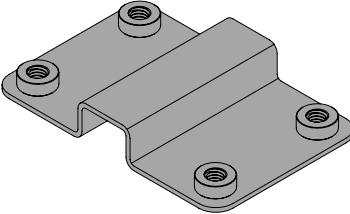
Hardware



M6 - 1.00 X 12mm
BHSCS Screw
(125285)



Magnet Ring 3/4
X 0.17 X 3/16
(0002080)



Multi Bay Garage Bracket
(G9G-BTB-PP)

Tools



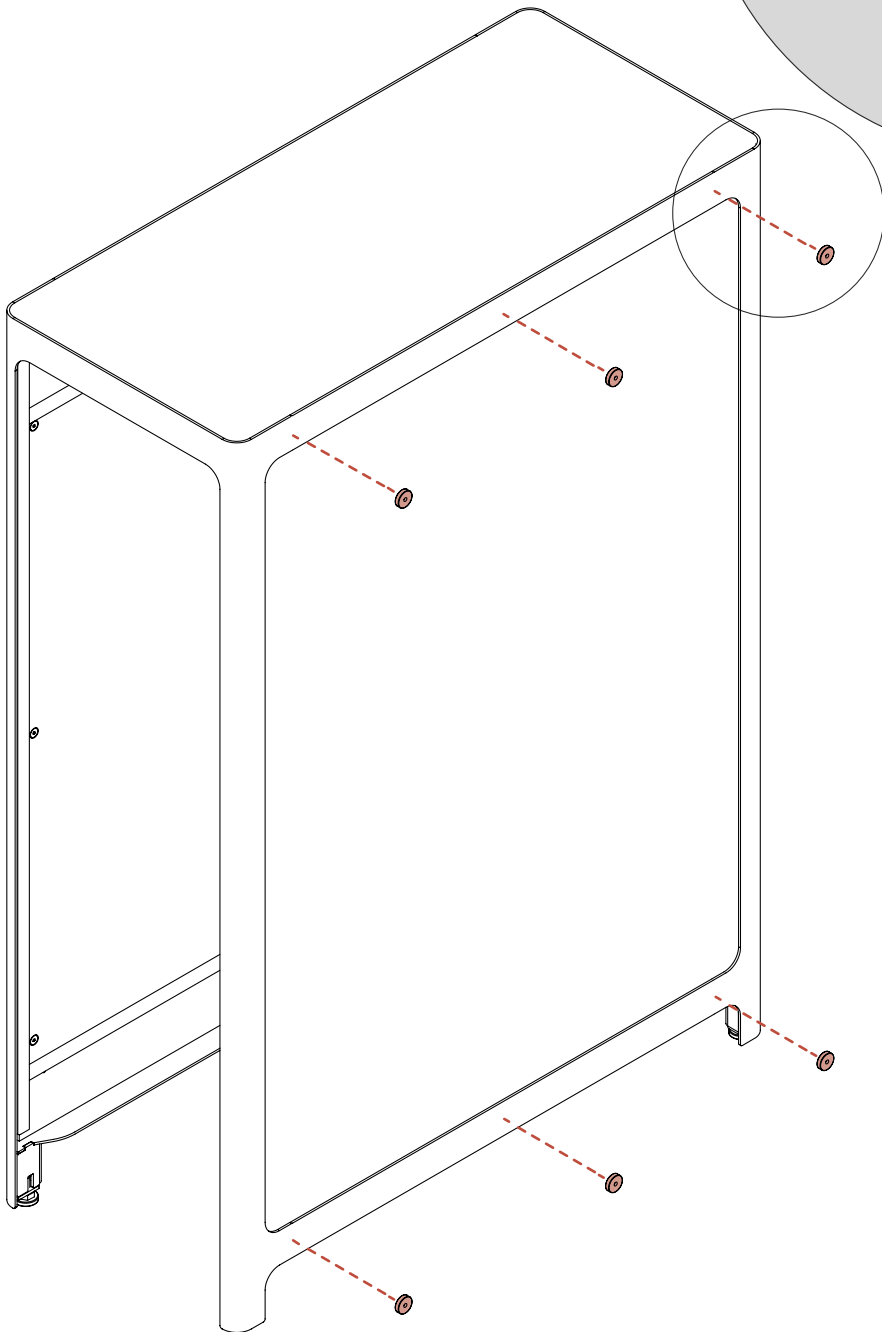
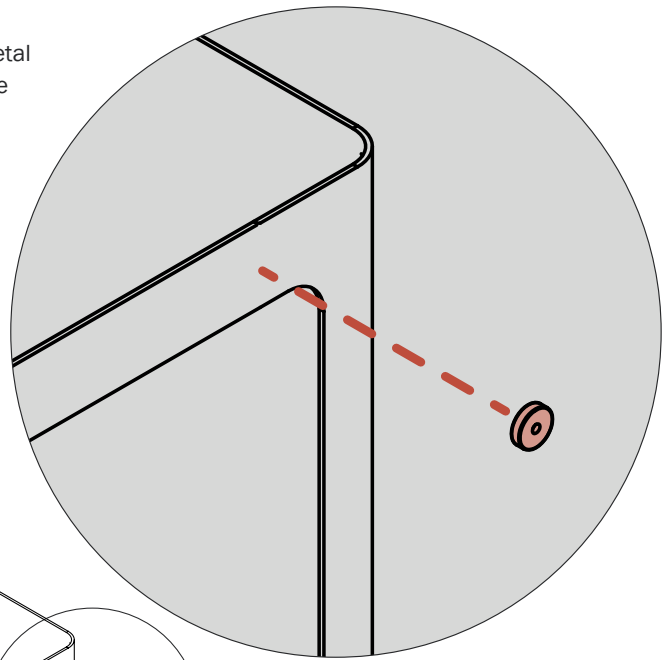
4mm Allen Wrench

1. Place Magnets and Position Garages

Place magnets as shown, (3) on the top portion of the metal frame and (3) on the bottom portion. Mate second garage using magnets to combine the units.

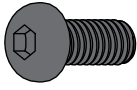


Magnet Ring 3/4
X 0.17 X 3/16
(0002080)

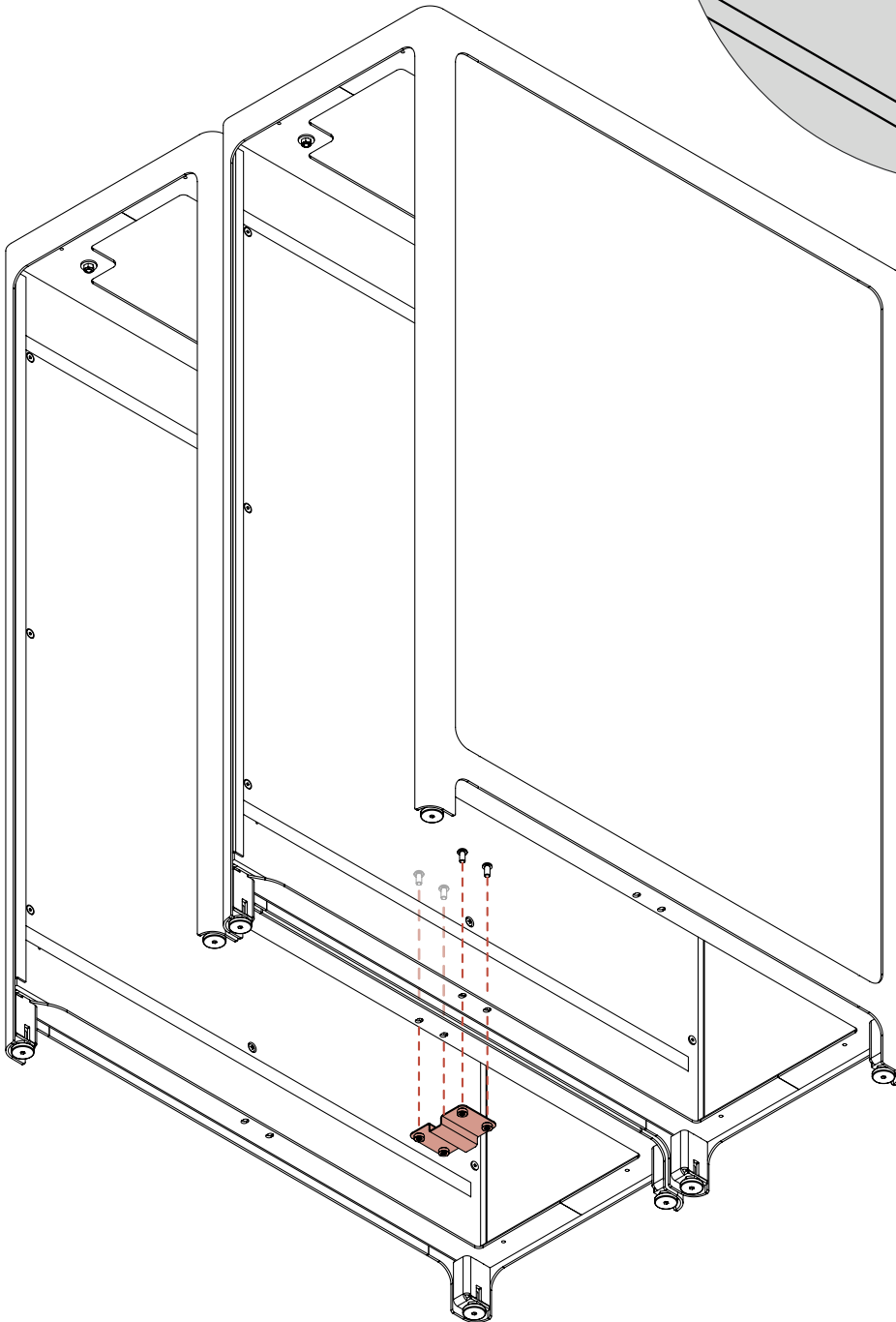
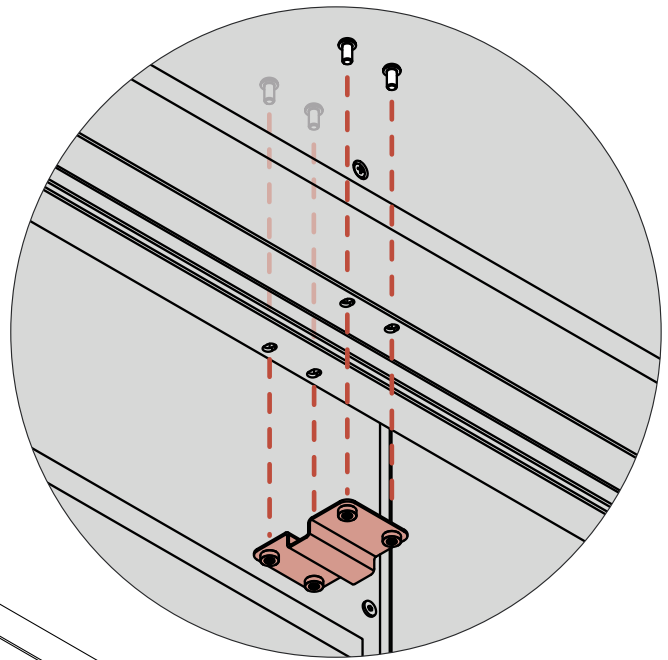


2. Install Bracket

Locate the slots in center location under garage rails and secure the bracket as shown, using (4) screws to secure garages together. Repeat steps for multiple garages.



M6 - 1.00 X 12mm
BHSCS Screw
(125285)



3.

Alternate Configuration

Using the same kit, the garages can be positioned in opposing directions. All assembly steps are the same.

