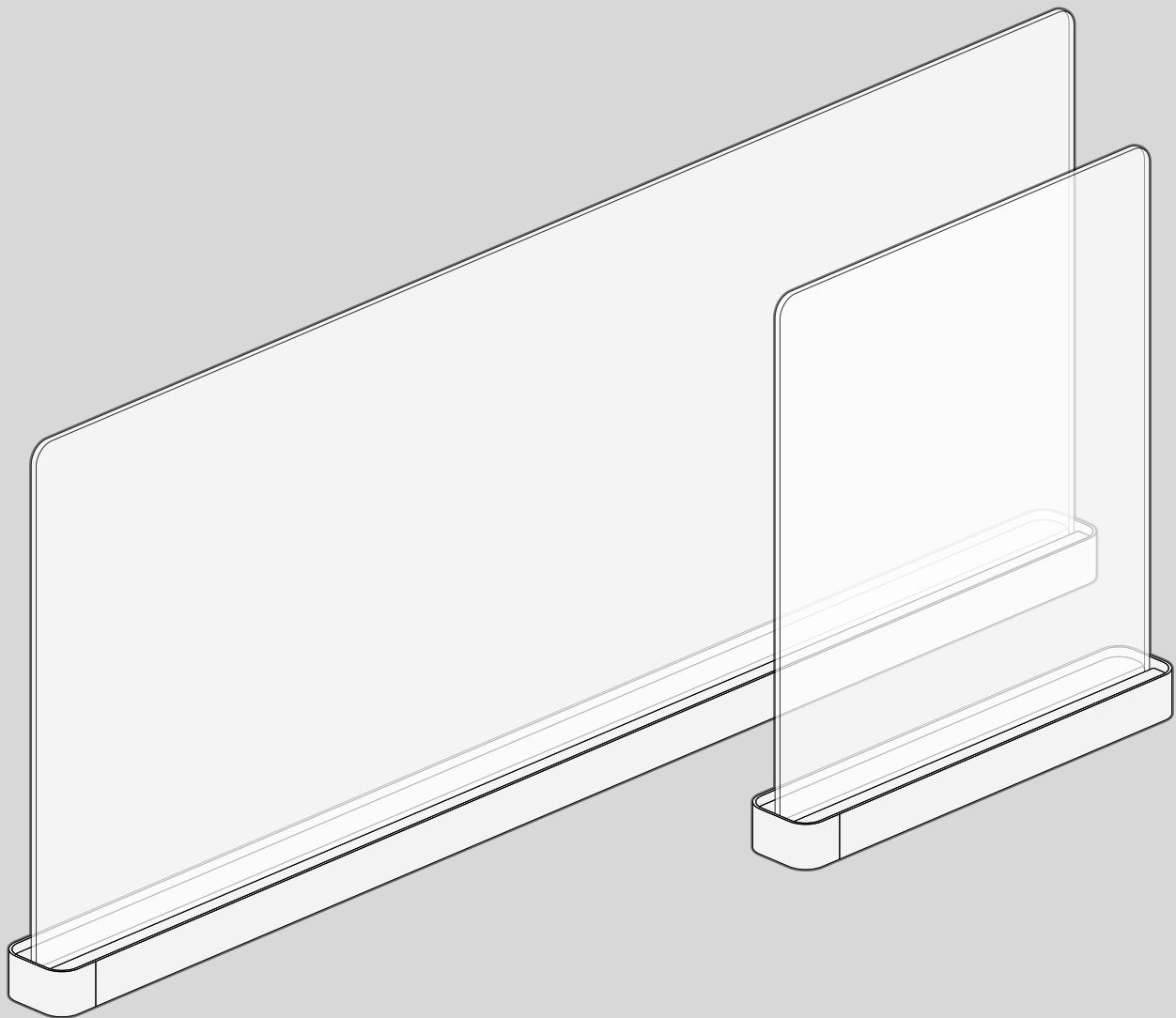
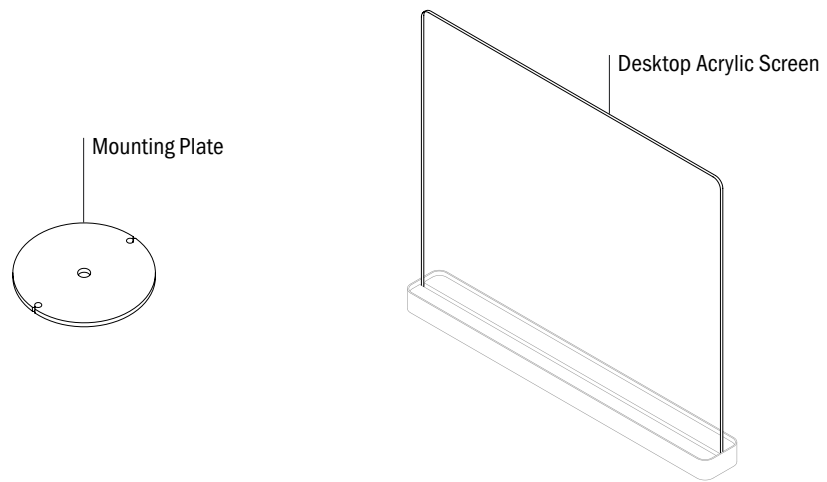


ASSEMBLY

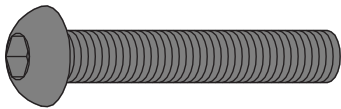
Watson Desktop Acrylic Screen



Desktop Acrylic Screen Basic Components



Hardware

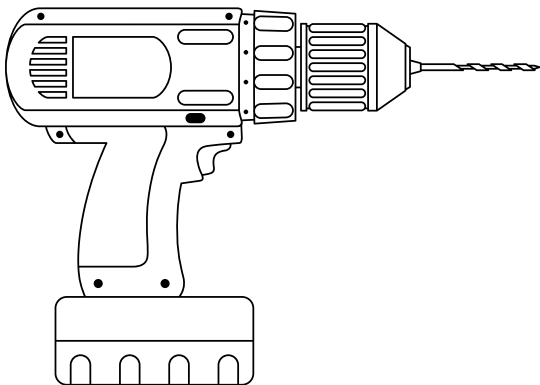


5/16-18 x 1.75" Button Head Screw
(125040)

Tools



3/16" Hex Key



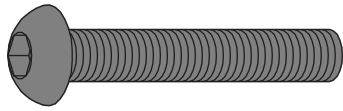
Electric Drill
(Optional Worksurface Mounting)



3/8" Drill Bit
(Optional Worksurface Mounting)

1. Worksurface Mounting (Optional)

If choosing the worksurface mounting option, secure the screen using (2) Screws and (2) Mounting Plates. Place the Desktop Acrylic Screen onto the worksurface and drive screws under the worksurface through mounting plates to secure screen. Please note that in order to use this method you must drill clearance holes with a 3/8" Drill bit, that align with the mounting holes in the bottom of the Acrylic Screen.



5/16-18 x 1.75" Button Head Screw
(125040)

