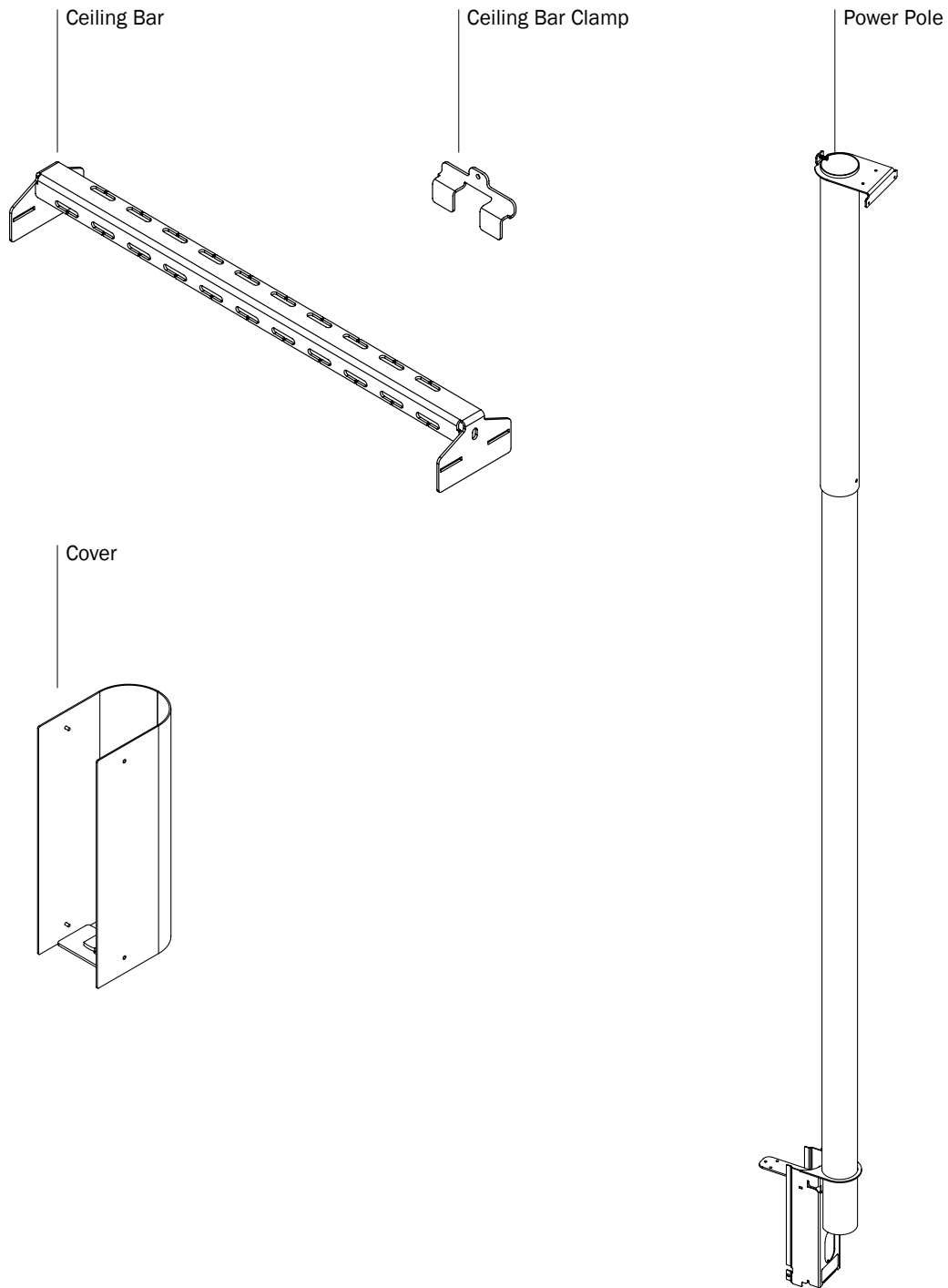


ASSEMBLY

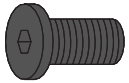
Edison Junior Power Pole



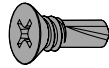
Edison Junior Power Pole Components



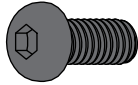
Hardware



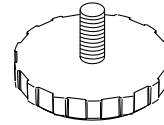
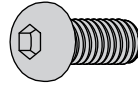
M6-1.0x12mm Low Profile Cap Screw (0001140)



M4 X 8mm Thread Cutting Screw (0003016)

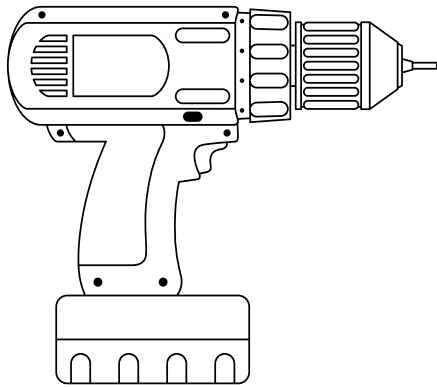


M6-1.0 X 12mm Button Head Cap Screw, Black (125285, Black) (125290, Zinc)



Glide w/ 5/16-18 x 3/4" Long Stem (059325)

Tools



Electric Drill



3mm Hex Bit

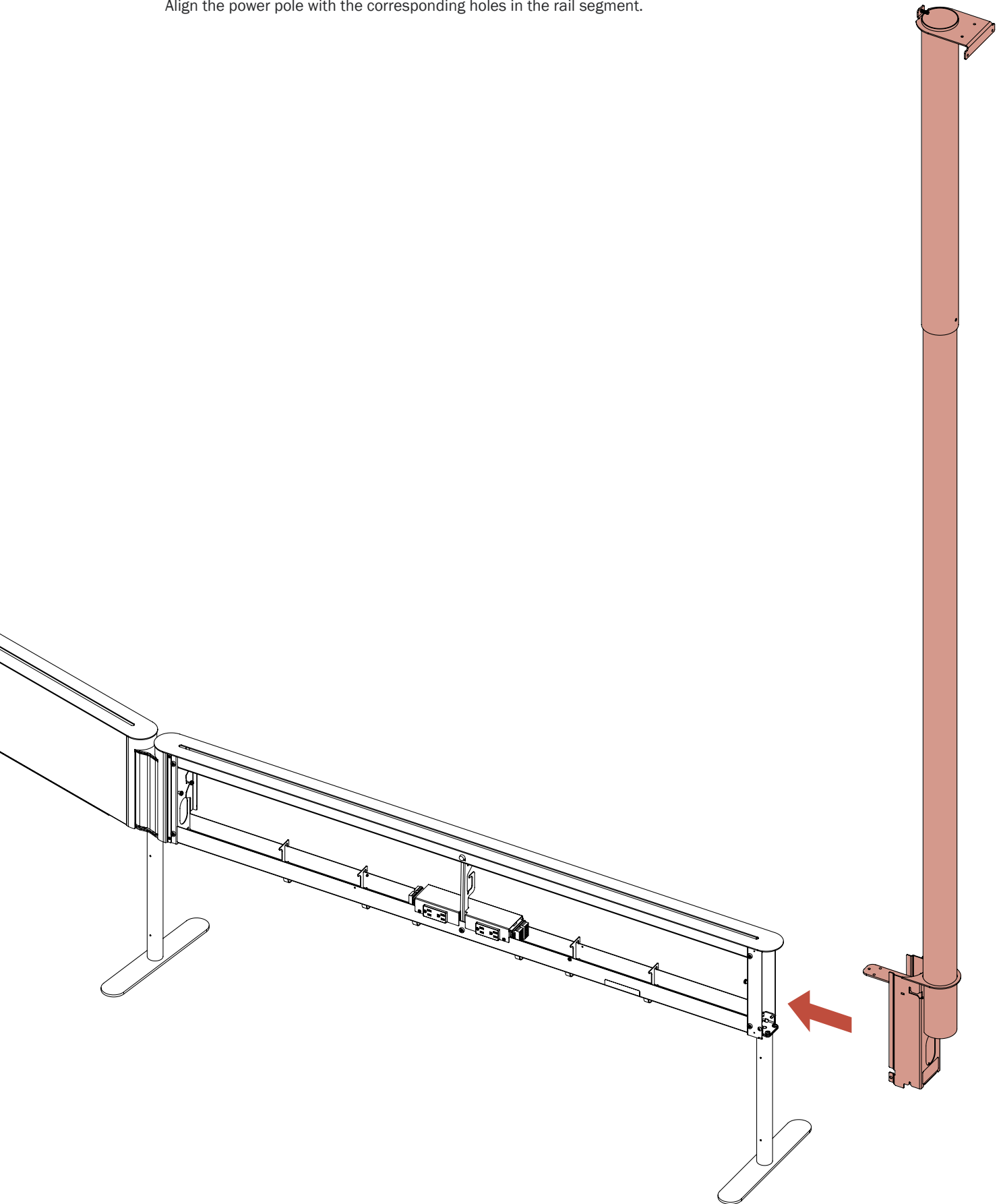


4mm Hex Bit



Phillips Bit

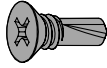
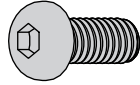
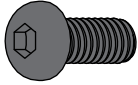
- 1. Position Power Pole**
Align the power pole with the corresponding holes in the rail segment.



2.

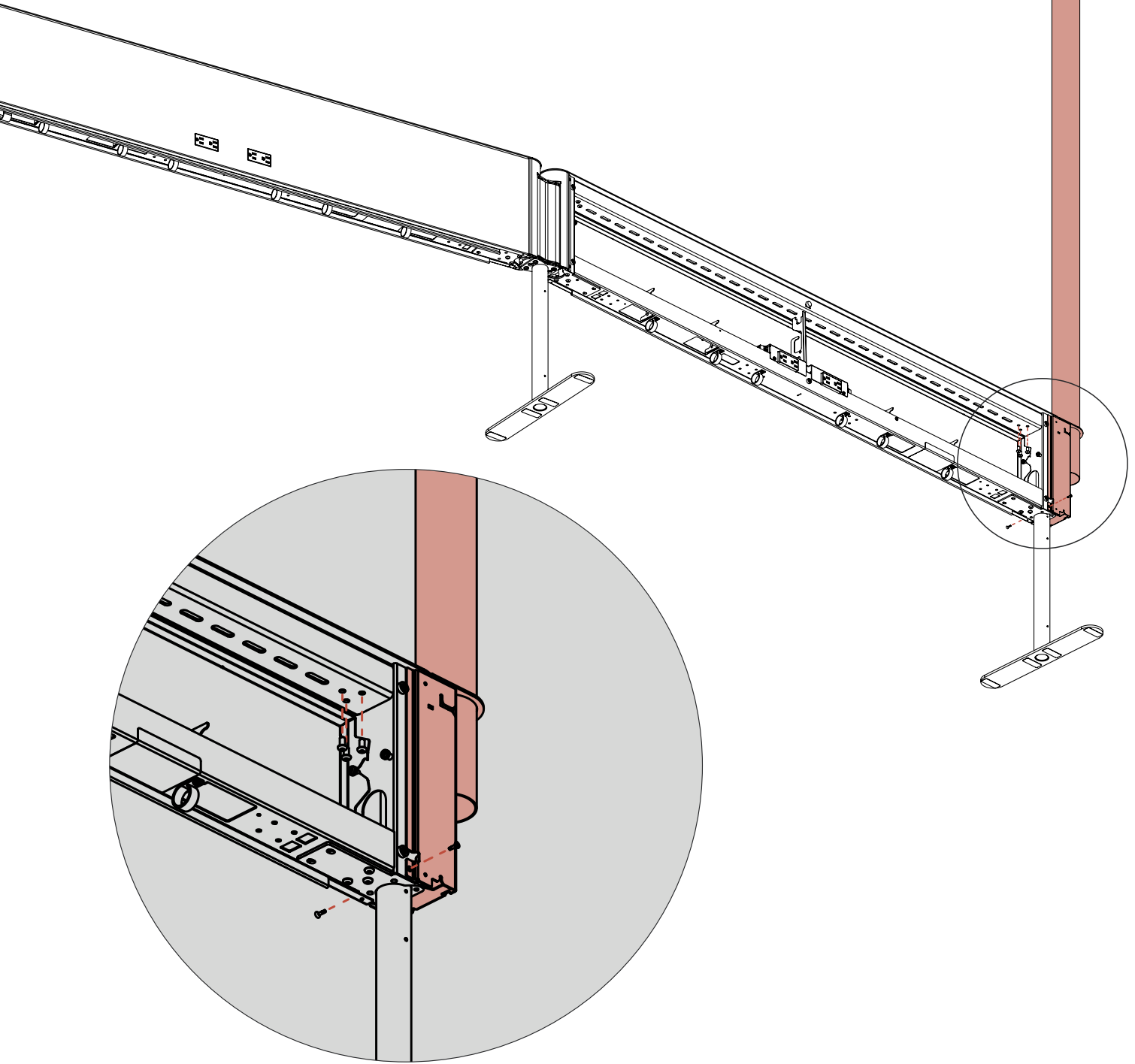
Secure Power Pole

Secure the power pole to the rail using (3) M6 X 12mm screws and (2) M4 X 8mm screws.



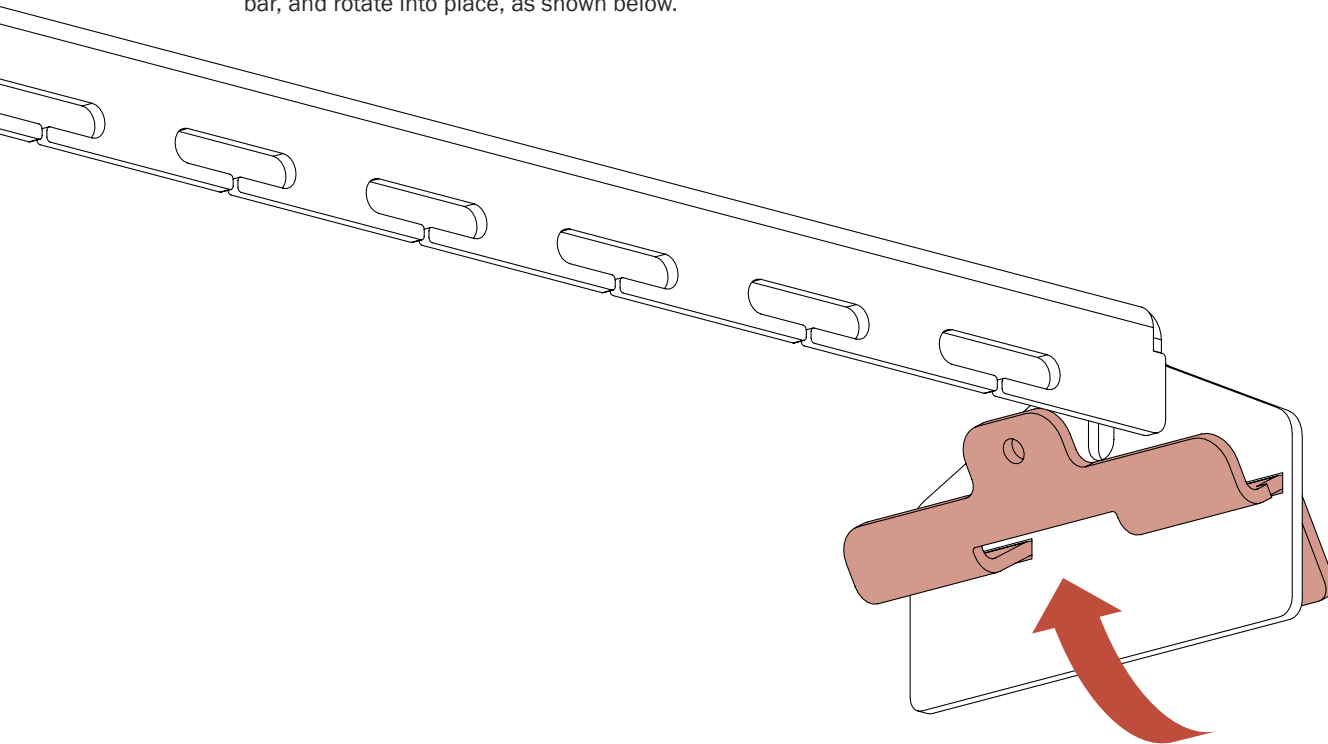
M6-1.0 X 12mm Button
Head Cap Screw, Black
(125285, Black)
(125290, Zinc)

M4 X 8mm Thread
Cutting Screw
(0003016)



3. Attach Clamp to Ceiling Bar

Fit the ceiling bar clamp into the slots at the end of the ceiling bar, and rotate into place, as shown below.

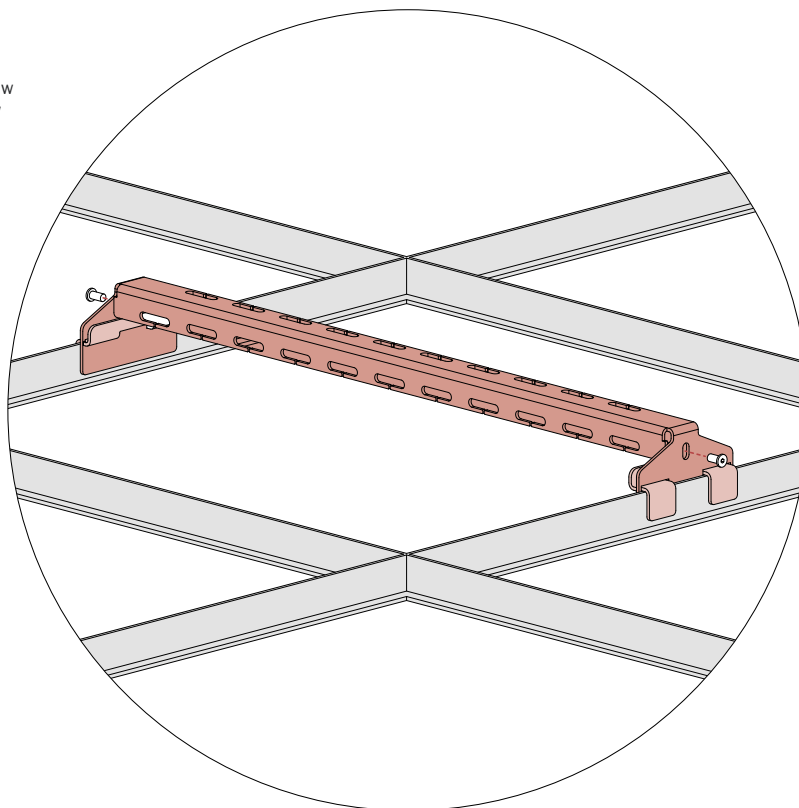


4. Mount Ceiling Bar to Ceiling

Hook the ceiling bar on the 2' ceiling grid and screw the clamp to the ceiling bars with one screw on each side. Note: ensure that ceiling system has required weight capacity.



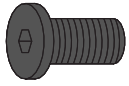
M6-1.0x12mm Low Profile Cap Screw (0001140)



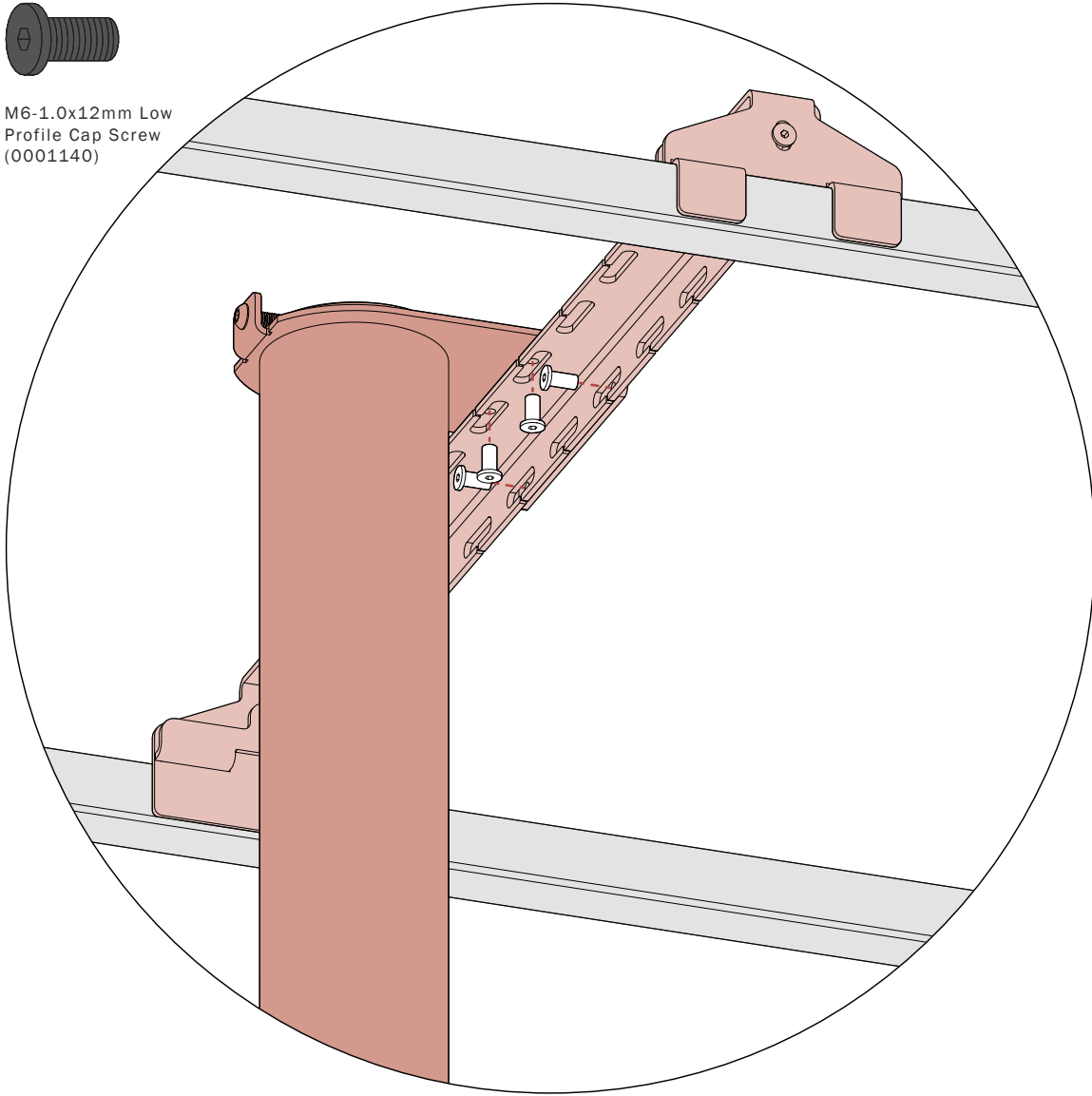
5.

Connect Power Pole to Ceiling

Hook the power pole onto the ceiling bar, and align the pole with the bracket at the desired position. Screw the pole to the ceiling bar using (4) screws.



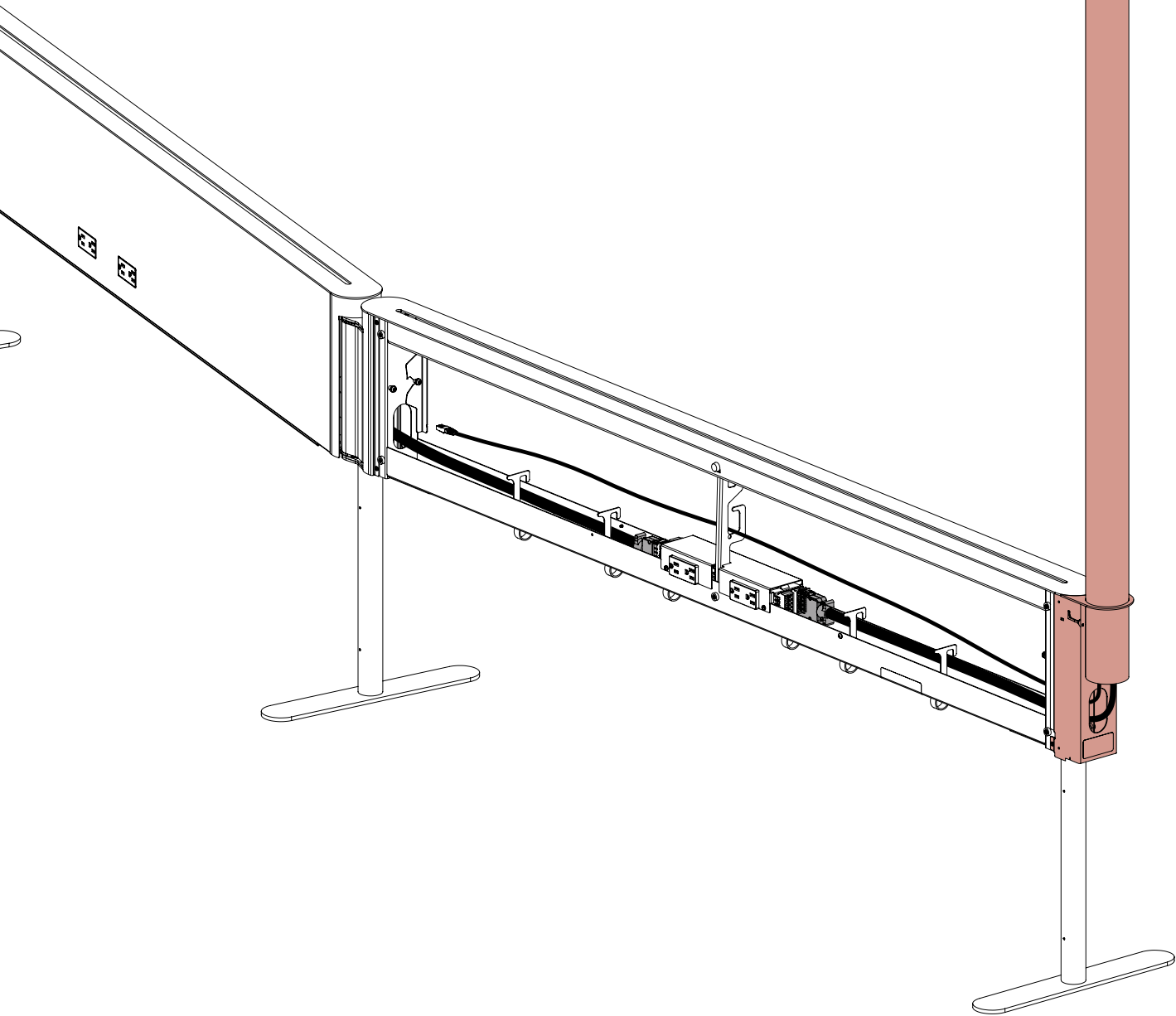
M6-1.0x12mm Low
Profile Cap Screw
(0001140)



6.

Power Pole Cabling

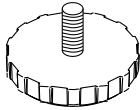
Run the cables down from the ceiling through the pole and through the rail end. Continue to run cables as required.



7.

Secure Power Pole Cover

Slide the cover onto the power pole from the outside and secure using the Glide.



Glide w/ 5/16-18 x 3/4"
Long Stem
(059325)

