

## Edison Riser Desk



Greater than the sum of its parts, the Edison Riser Desk embodies streamlined versatility.

The Riser Desk mounts directly to the Edison Rail, creating a clean, modern feel by reducing the visual clutter of additional legs. With perpendicular and parallel mounting options, this desk adds additional structure and bolsters the system's overall design flexibility



### Details

With its timeless aesthetic and superior craftsmanship, the Riser Desk never clashes with other tables, workstations, or elements in an environment. Use it as an engaging collaborative surface, as a fully functioning individual workspace, or flex between applications as needed. With Edison, the choice is yours.

### Features

- The steel cable management tray also increases the strength of the Riser Desk's structure.
- Rail-mounting brackets can accommodate 2" of height adjustability to maintain a level worksurface regardless of environmental factors.
- The Riser Desk can be mounted parallel or perpendicular to the rail, and then be reconfigured using the same mounting hardware.
- Fewer legs reduce the visual clutter of a space, which adds to Edison's clean design.



**A**

- Sleek steel construction for the legs, cable management tray

**B**

- Optional grommet for added cable management control

**C**

- Mounting brackets can be reused to reconfigure the desk to another orientation

**D**

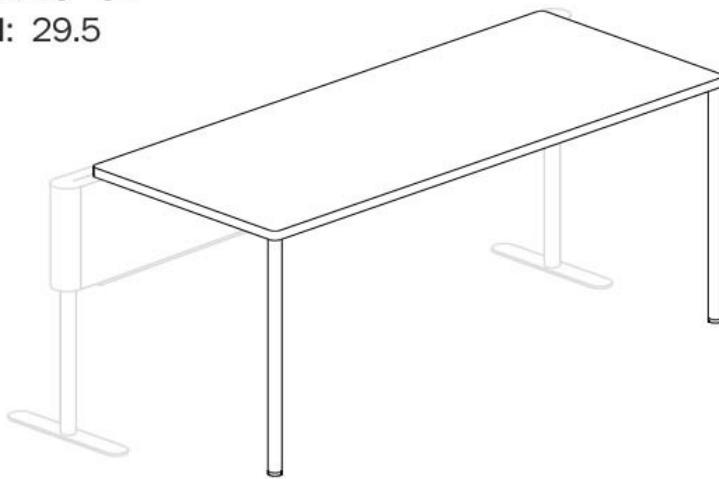
- 90 and 90 trim edge options make this desk screen compatible

**Statement of Line**

**Edison Riser Desk**

*Riser Desk (Mounted Parallel)*

**D:** 24, 30  
**W:** 48 - 84  
**H:** 29.5



*(Mounted Perpendicular)*

