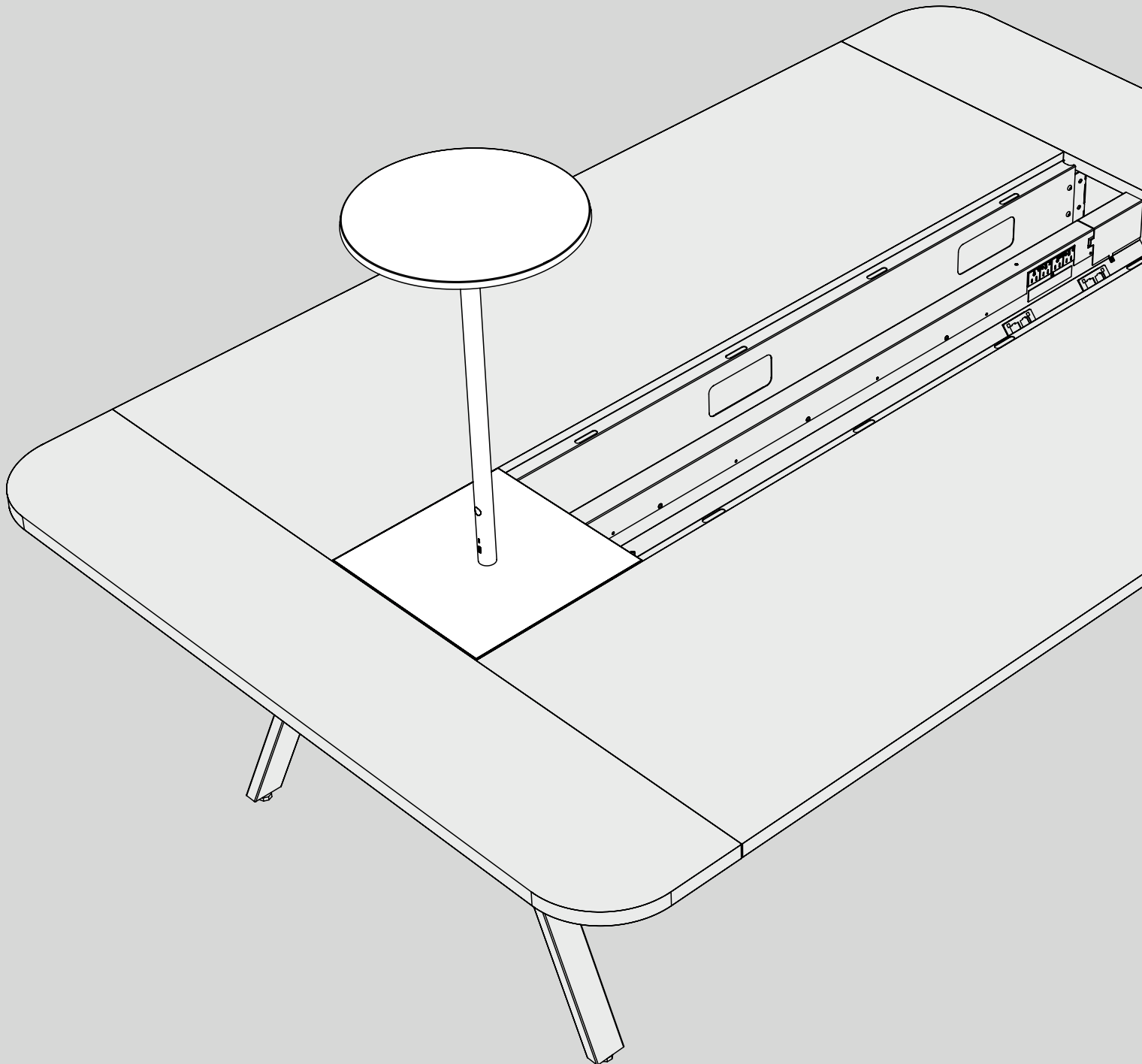
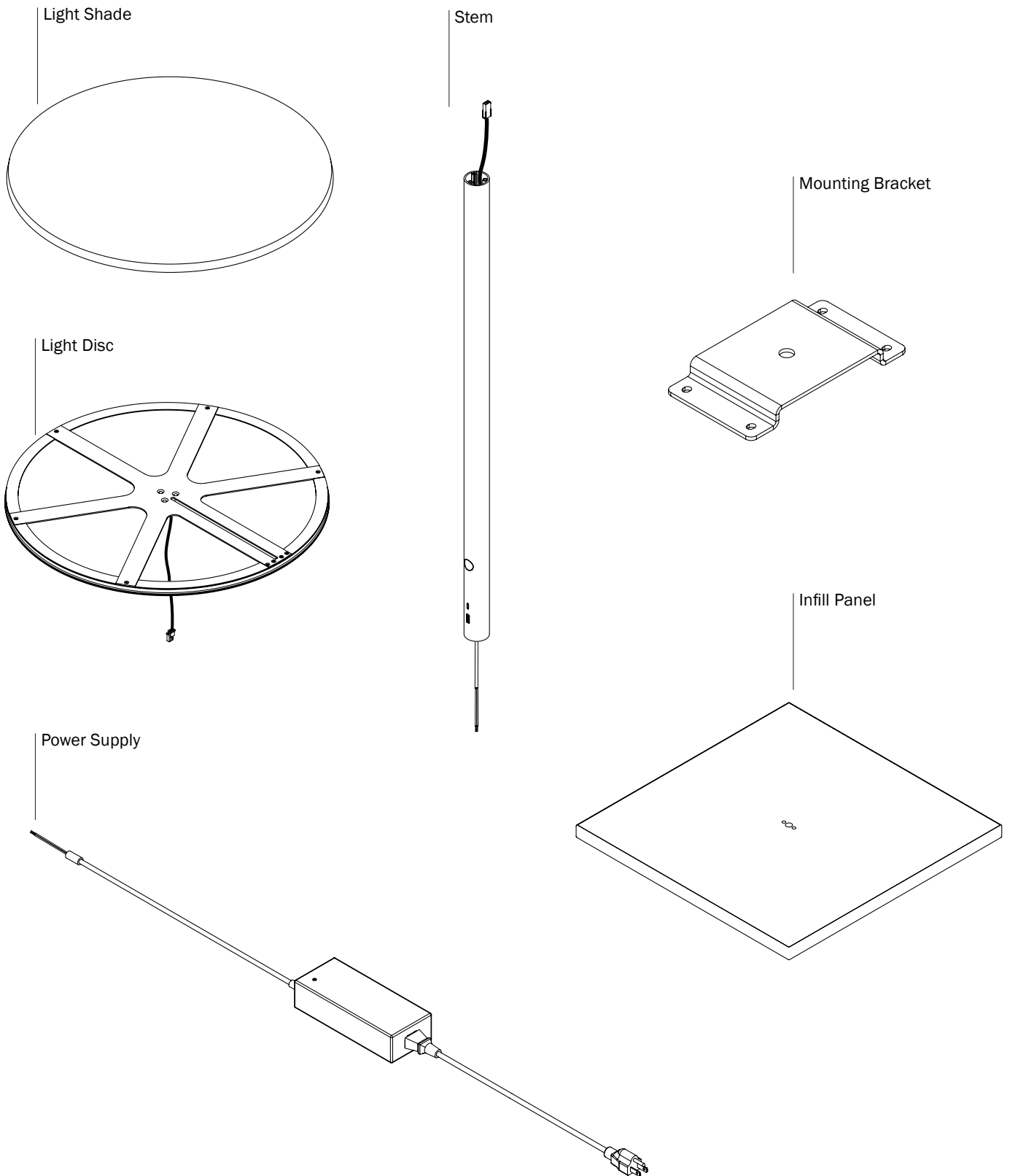


# ASSEMBLY

## Tonic Infill Neighborhood Light



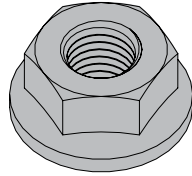
# Infill Neighborhood Light Components



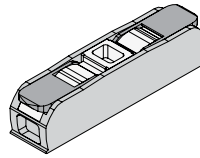
# Hardware



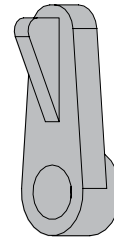
Light Rod 28mm



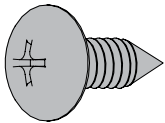
Mounting Nut



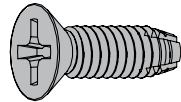
Wire Splice Connector



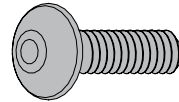
Screen Clip



Truss Head Screw  
#10x5/8



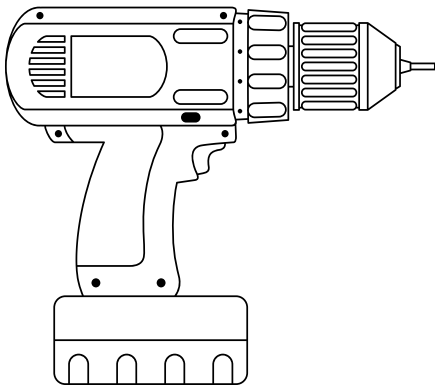
Thread Cutting  
Flat Head Screw  
M4 X 12mm



Truss Head Wood Screw  
#8 X 3/4

Note: Not all of the pieces of hardware from the supplied kit will be used. Only the pictured hardware above is needed for the lamp assembly.

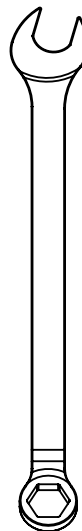
# Tools



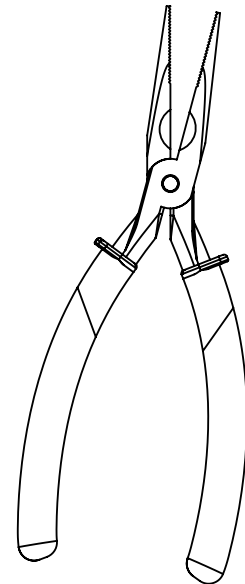
Electric Drill



Phillips Bit



13mm Wrench

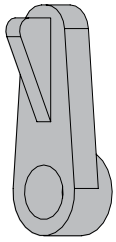


Needle Nose Pliers

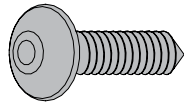
1.

### Add Tonic Infill Clips

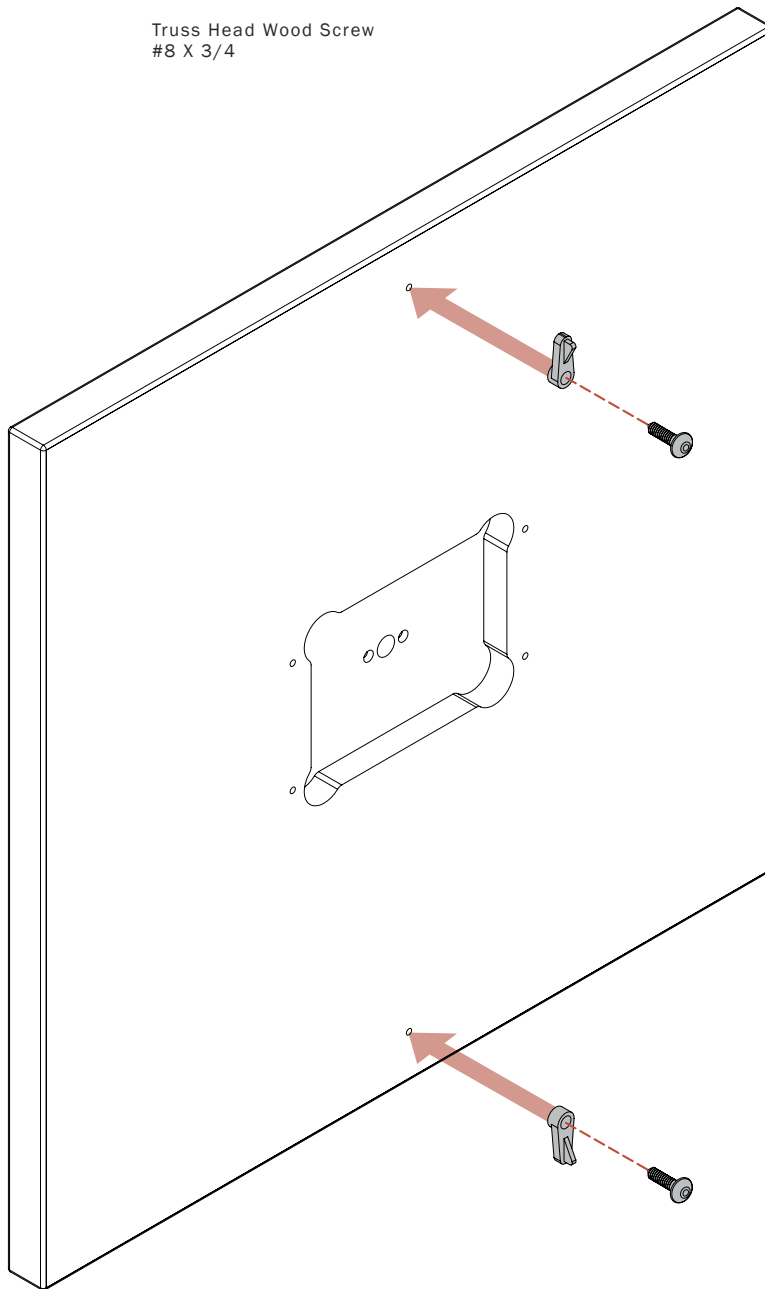
Thread a screen clip onto the wood screw with the clip protruding outwards. Fasten the (2) wood screws into each of the pilot holes.



Screen Clip

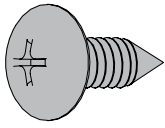


Truss Head Wood Screw  
#8 X 3/4

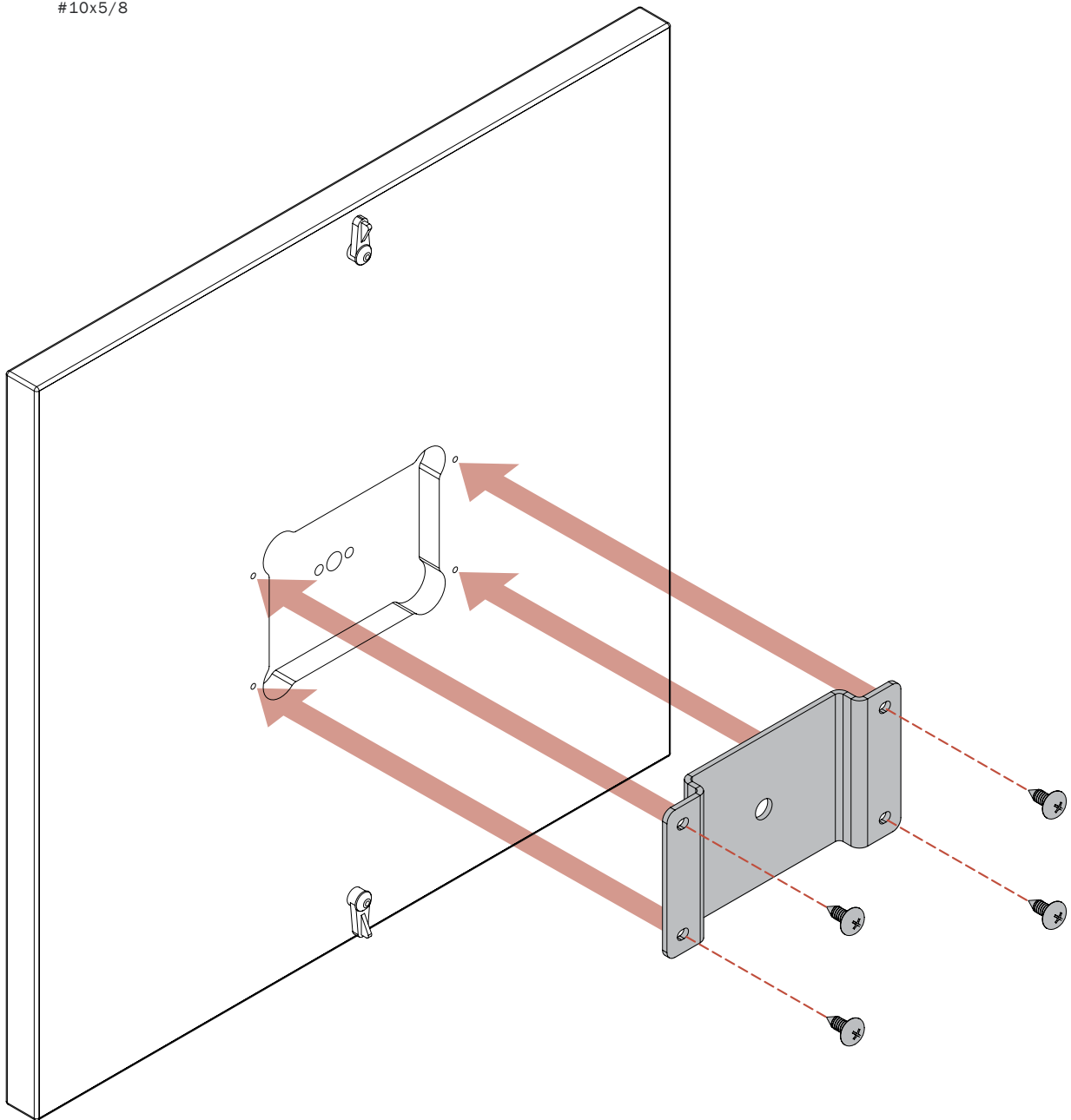


## 2. Attach Bracket to Infill Panel

Place the mounting bracket into the panel so that the U portion of the bracket sits into the dado feature. Secure the bracket to the panel using the (4) screws.

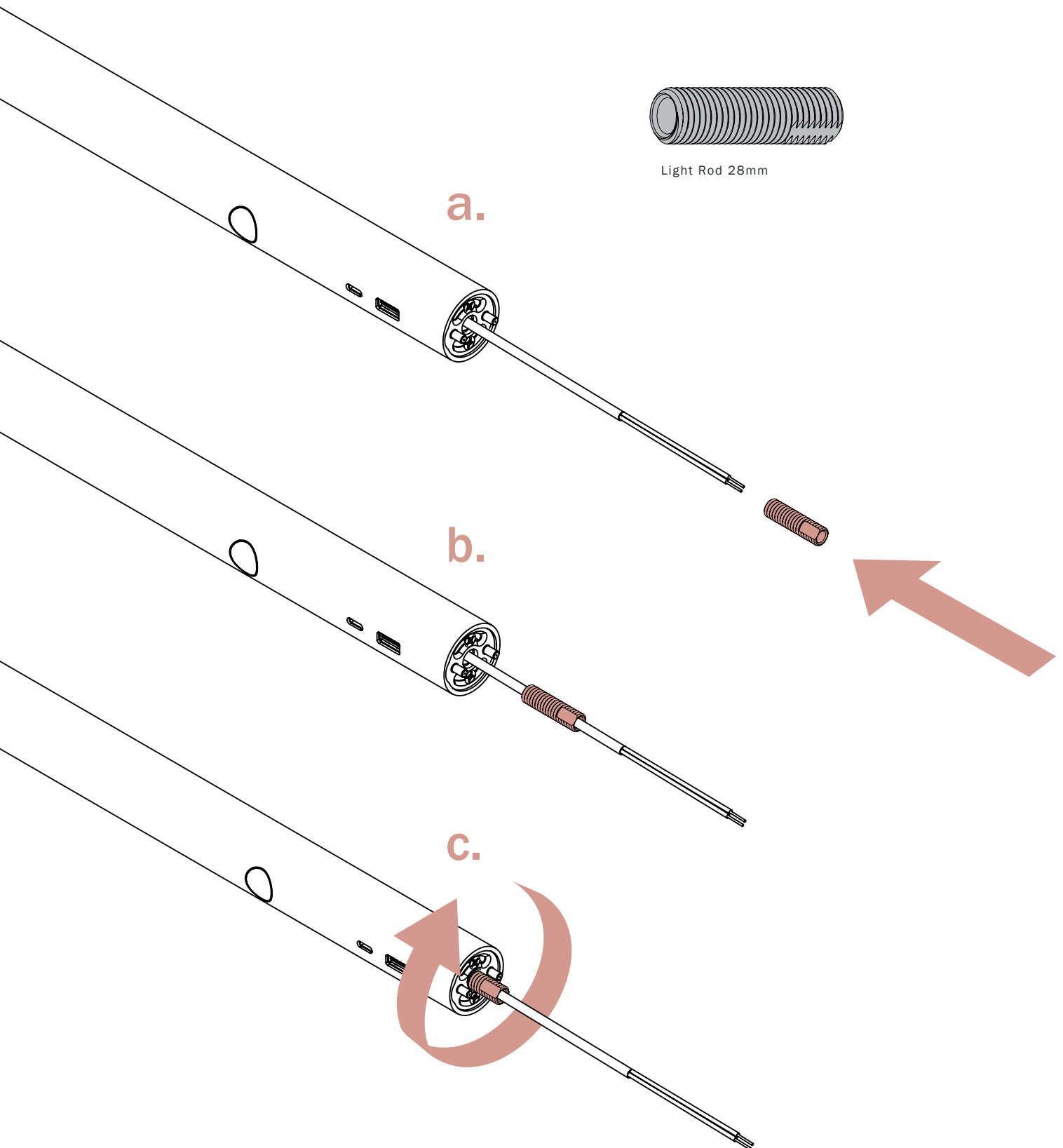


Truss Head Screw  
#10x5/8



### 3. Attach Light Rod

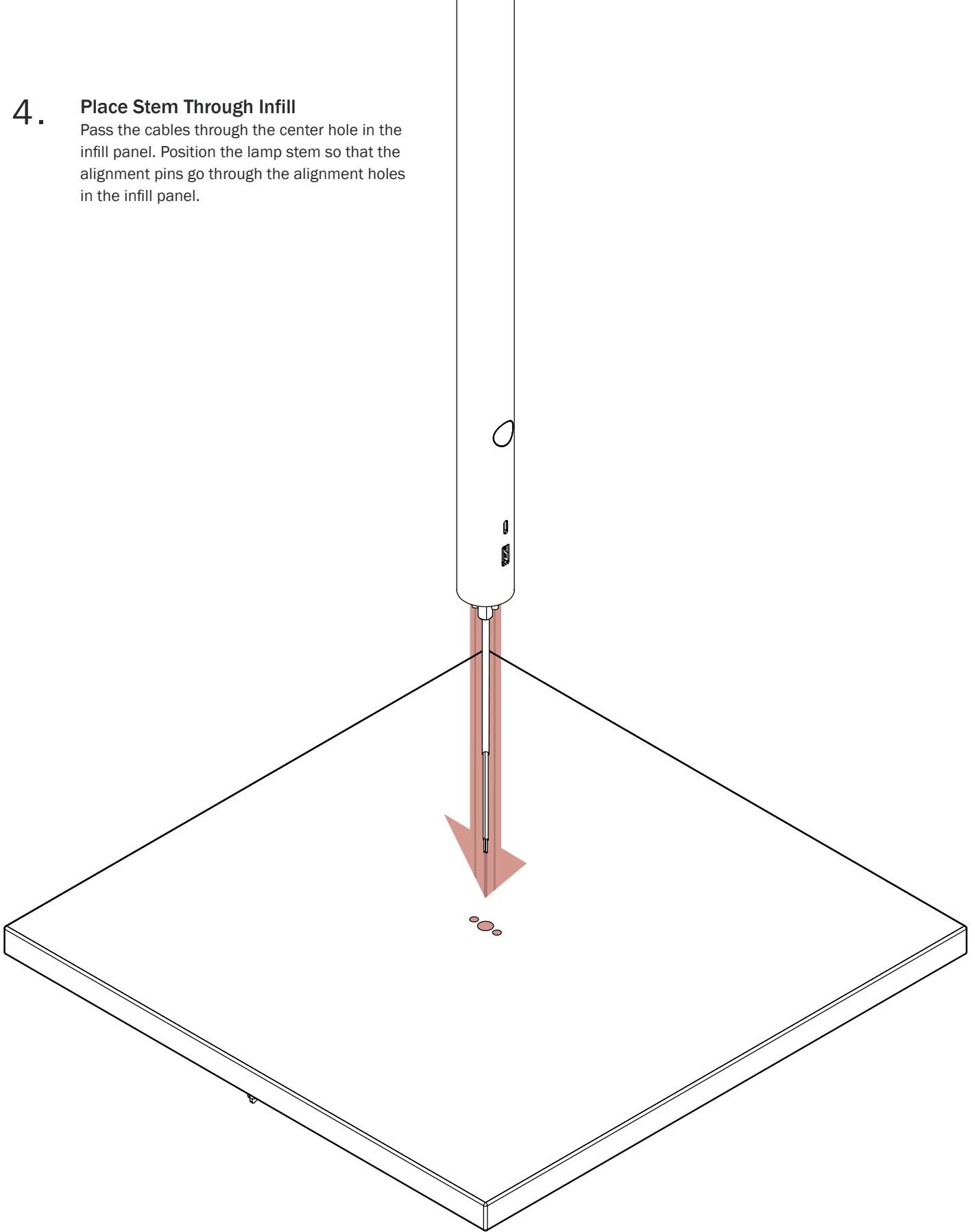
Pass the cables through the light rod (a) and slide the light rod over the cable and up to the lamp stem (b). Use the flat sections of the light rod to tighten fully into the bottom of the lamp using pliers (c).



4.

**Place Stem Through Infill**

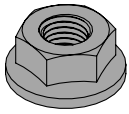
Pass the cables through the center hole in the infill panel. Position the lamp stem so that the alignment pins go through the alignment holes in the infill panel.



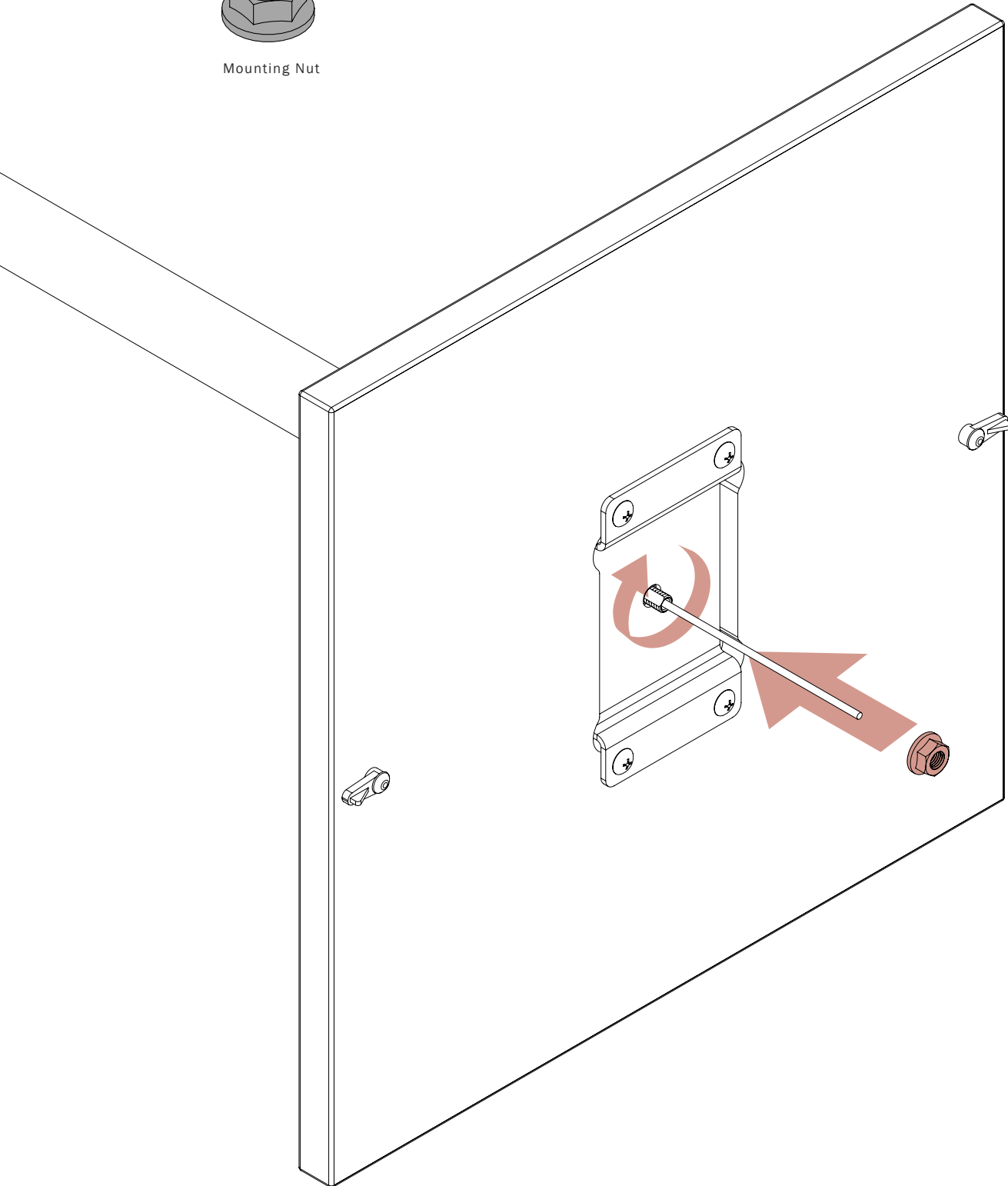
5.

**Secure Lamp Stem to Infill**

Pass the cables through the mounting nut and secure the lamp stem to the infill by tightening the mounting nut with a 13mm wrench.



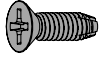
Mounting Nut



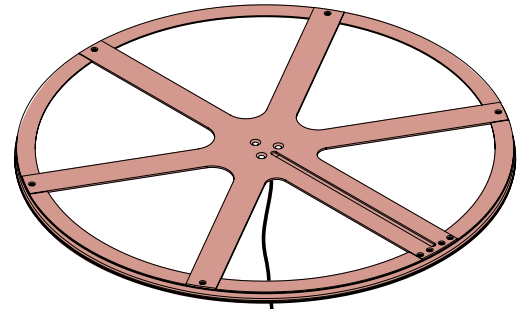


## 6. Attach Light Disc

Plug the connector from the light disc into the connector from the lamp stem (a) and press the excess cable into the lamp stem cavity. Secure the light fixture to the lamp stem (b) using (3) M4x12 flat head screws.

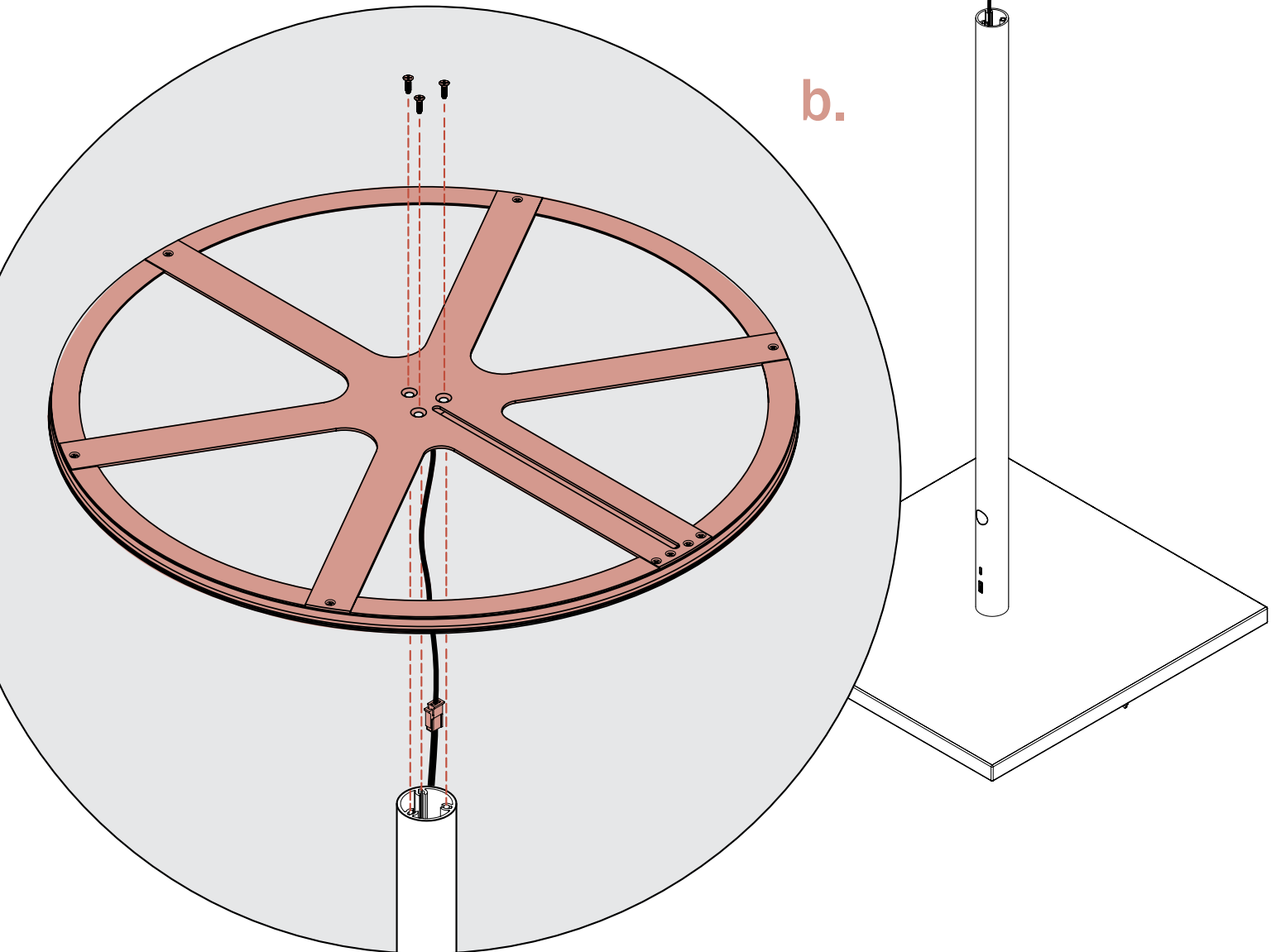


Thread Cutting  
Flat Head Screw  
M4 X 12mm



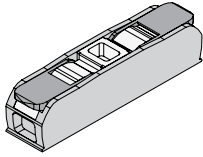
a.

b.

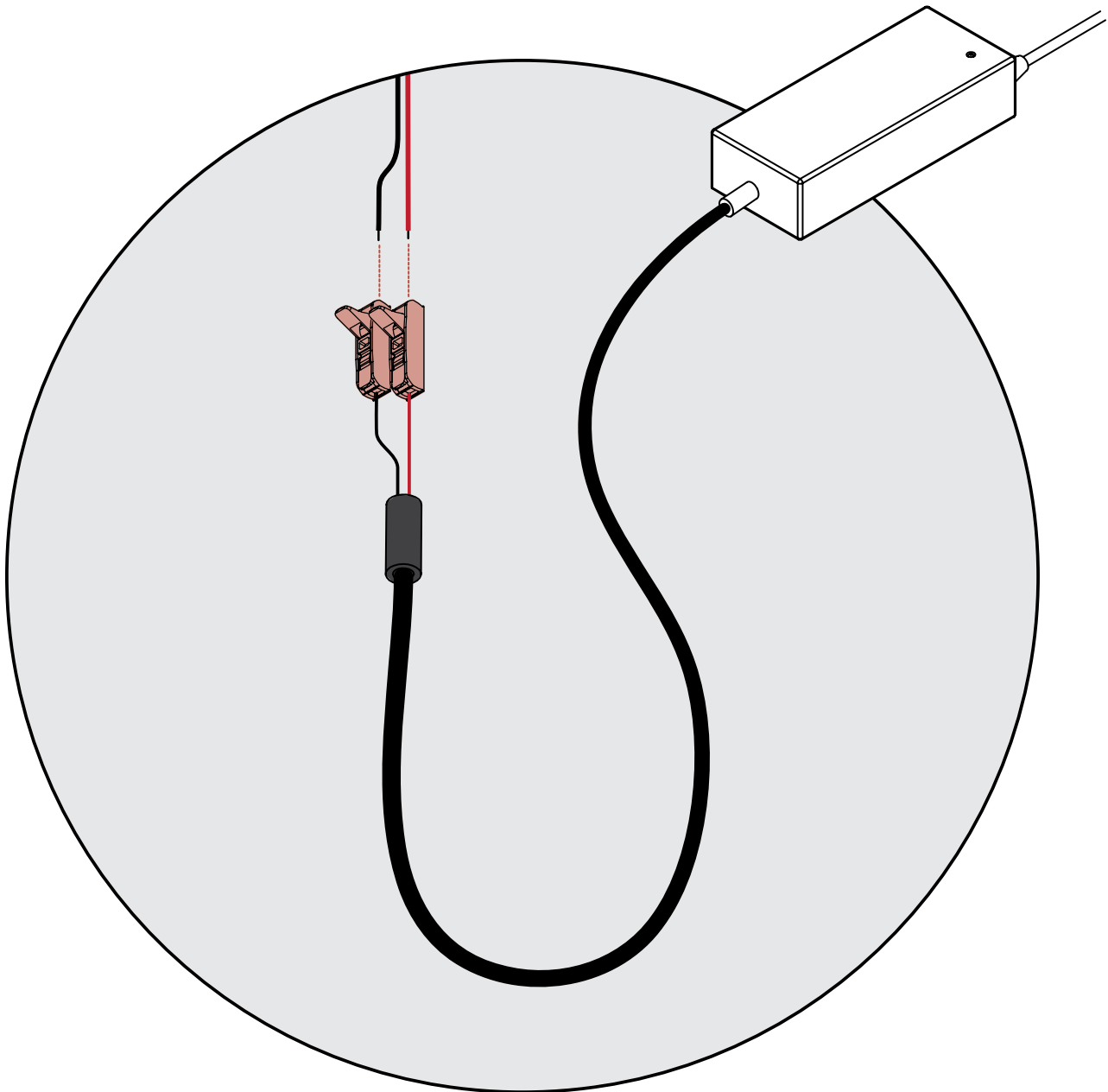


## 7. Attach Connector Housing

Connect the wires from the power supply to the wires on the light by inserting the cable into the wire splice connector and then snapping the connector closed. Make sure to connect red to red and black to black. Secure excess cables. Plug into power source and test.

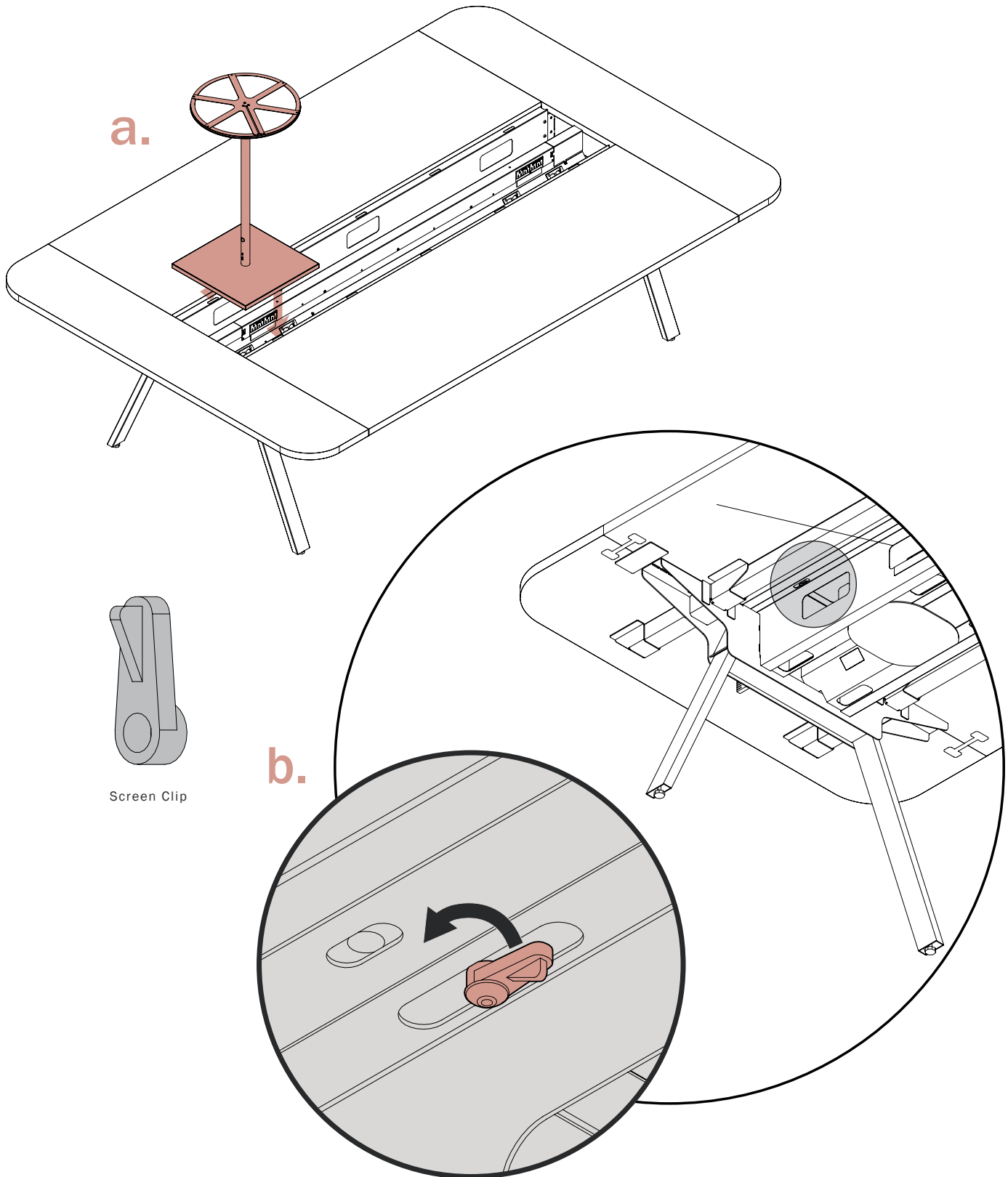


Wire Splice  
Connector



## 8. Place Infill Assembly in Table

Place the Infill assembly in the table (a) and turn the security clips to lock the assembly in place (b).



9.

### Attach Light Shade

Press the shade onto the light fixture, applying even pressure around the perimeter until a snug and level fit is achieved.

