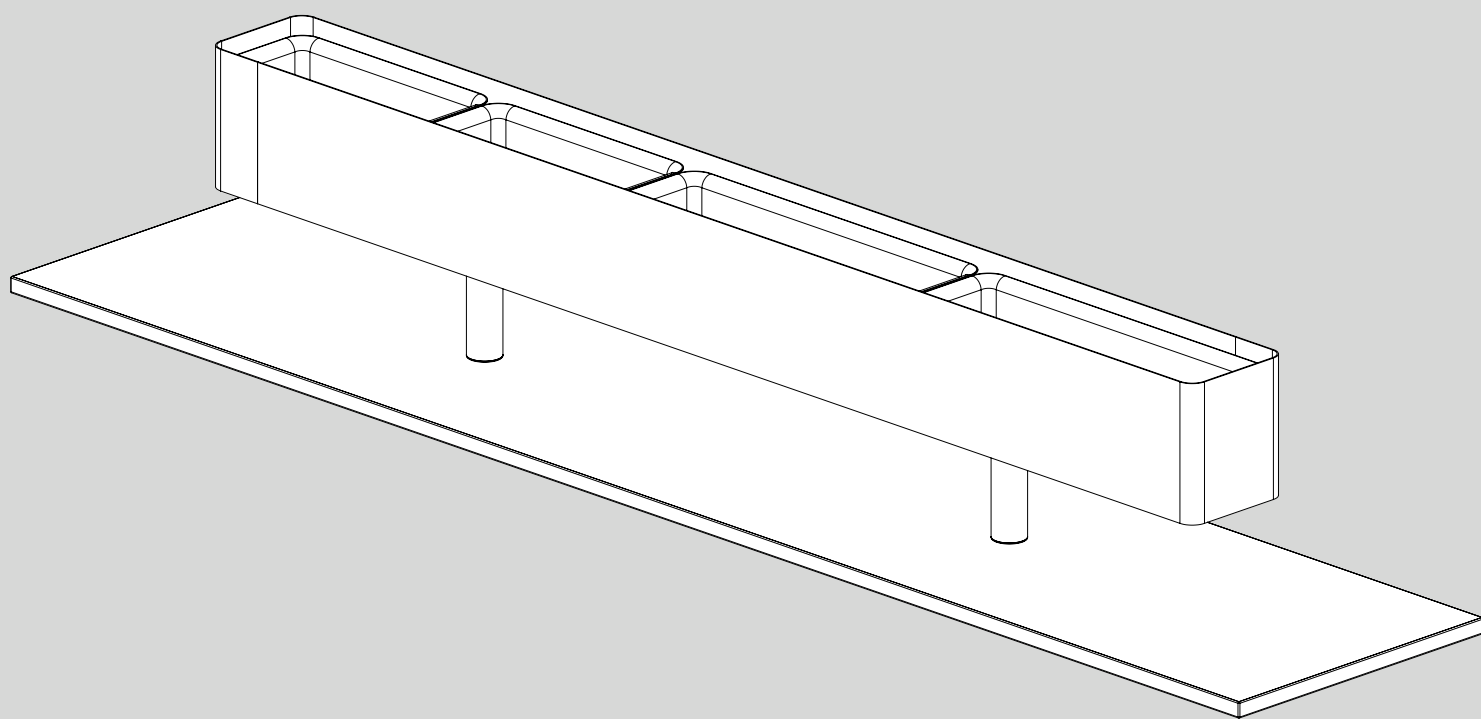
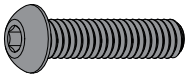


ASSEMBLY

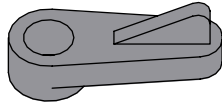
Tonic Dual Sided Infill Planter



Hardware



5/16-18 X 1.25"
SCREW (125030)

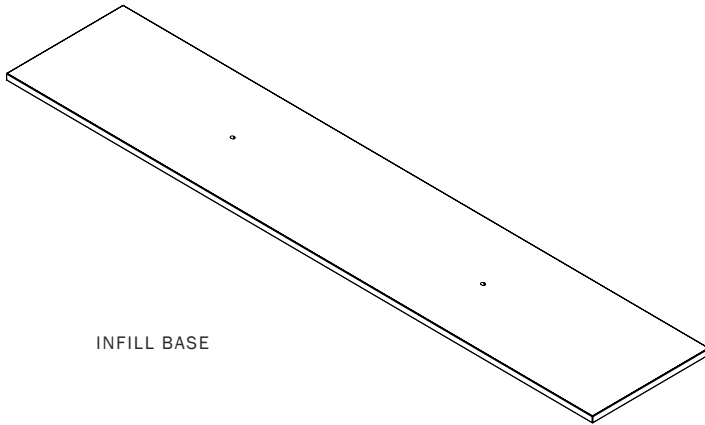


INFILL CLIP
(486915)

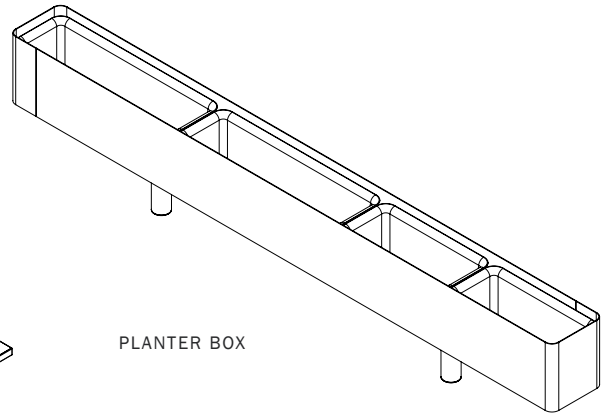


#8 X 3/4" WOOD
SCREW (122810)

Tonic Worktable Components

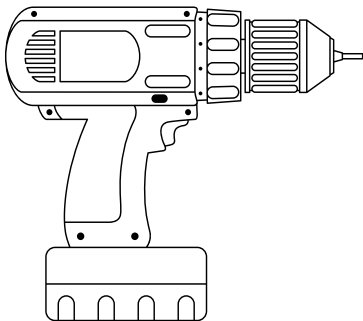


INFILL BASE



PLANTER BOX

Tools



Electric Drill



P2 Phillips
Driver Bit

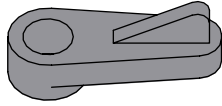


5/16 Hex Drill/
Driver Bit

1. Infill Clips

Turn over the infill (bottom side facing up) and drive supplied infill clips (486915) into all predefined pilot holes with #8 x 3/4" screws (122810) as shown below.

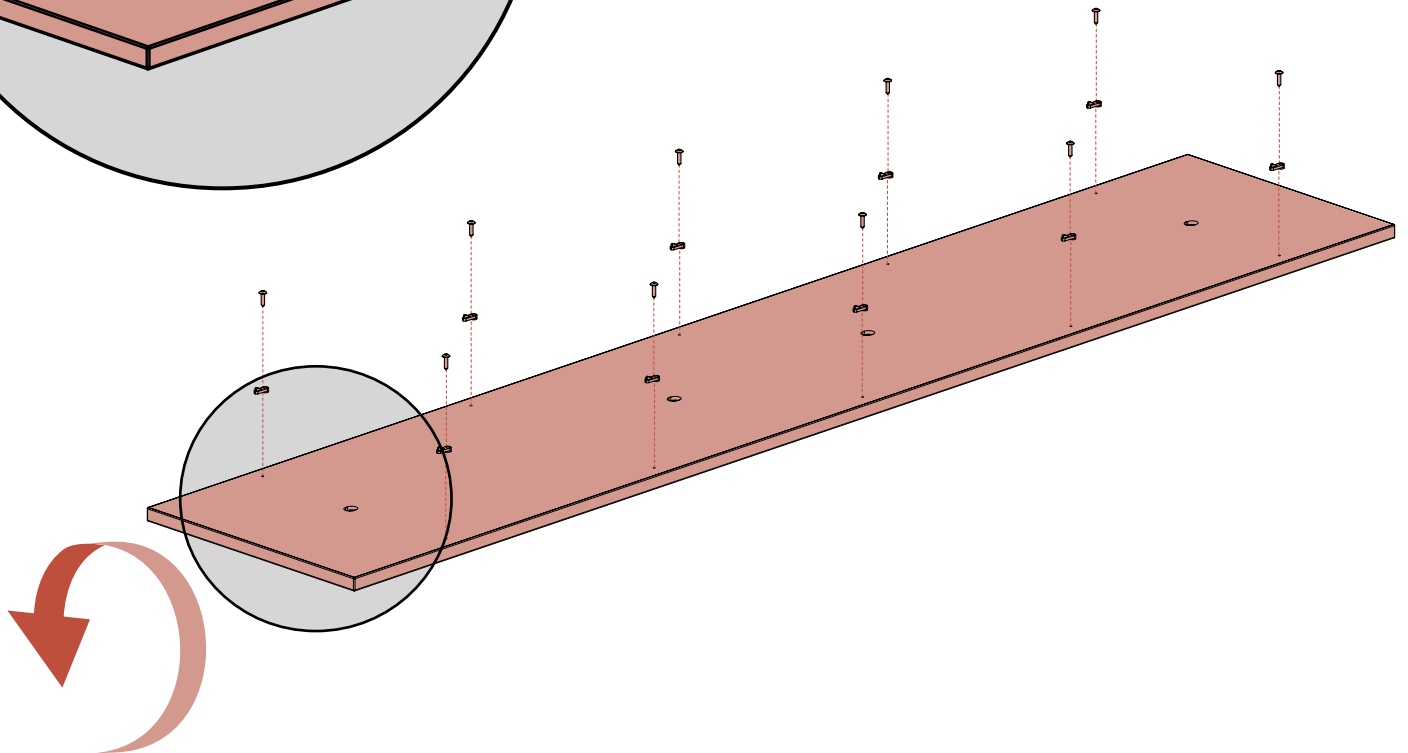
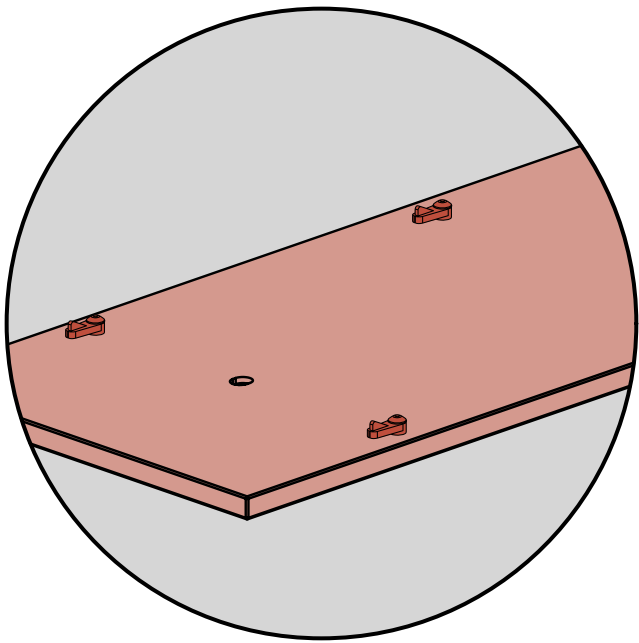
DO NOT USE THE 1" LONG SCREWS THAT ARE USED TO SECURE THE PRIMARY DESKSURFACES



INFILL CLIP
(486915)



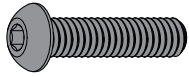
#8 X 3/4" WOOD
SCREW (122810)



2.

Attach Planter Box

Attach planter box to infill base with 2 screws (125030).



5/16-18 X 1.25"
SCREW (125030)

