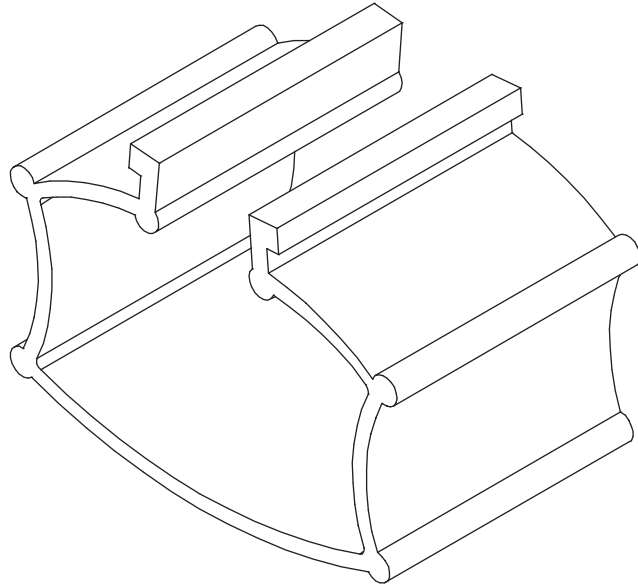
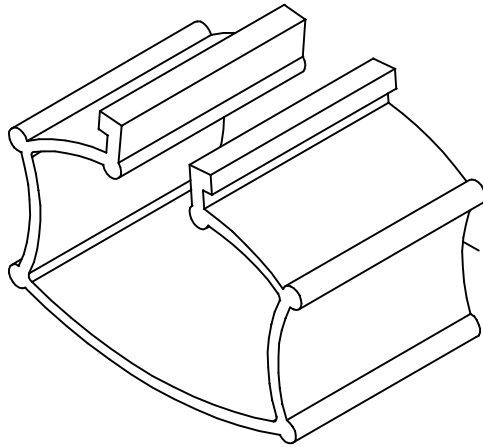


# ASSEMBLY

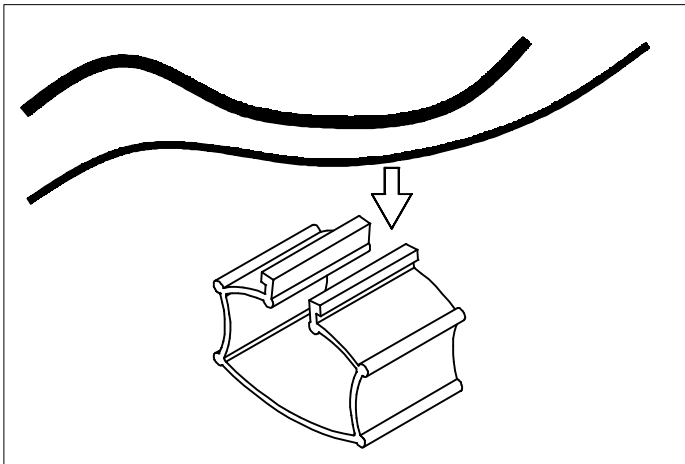
## Watson Wire Management Straps



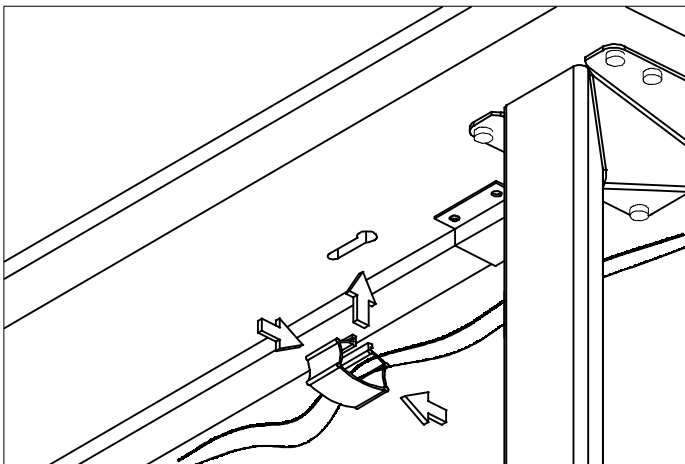
View Digitally



Part # 480199



**Step 1**  
Put all cables into Snap.



**Step 2**  
Pinch sides of Snap inward  
and insert into key-hole slot  
on underside of desk.