

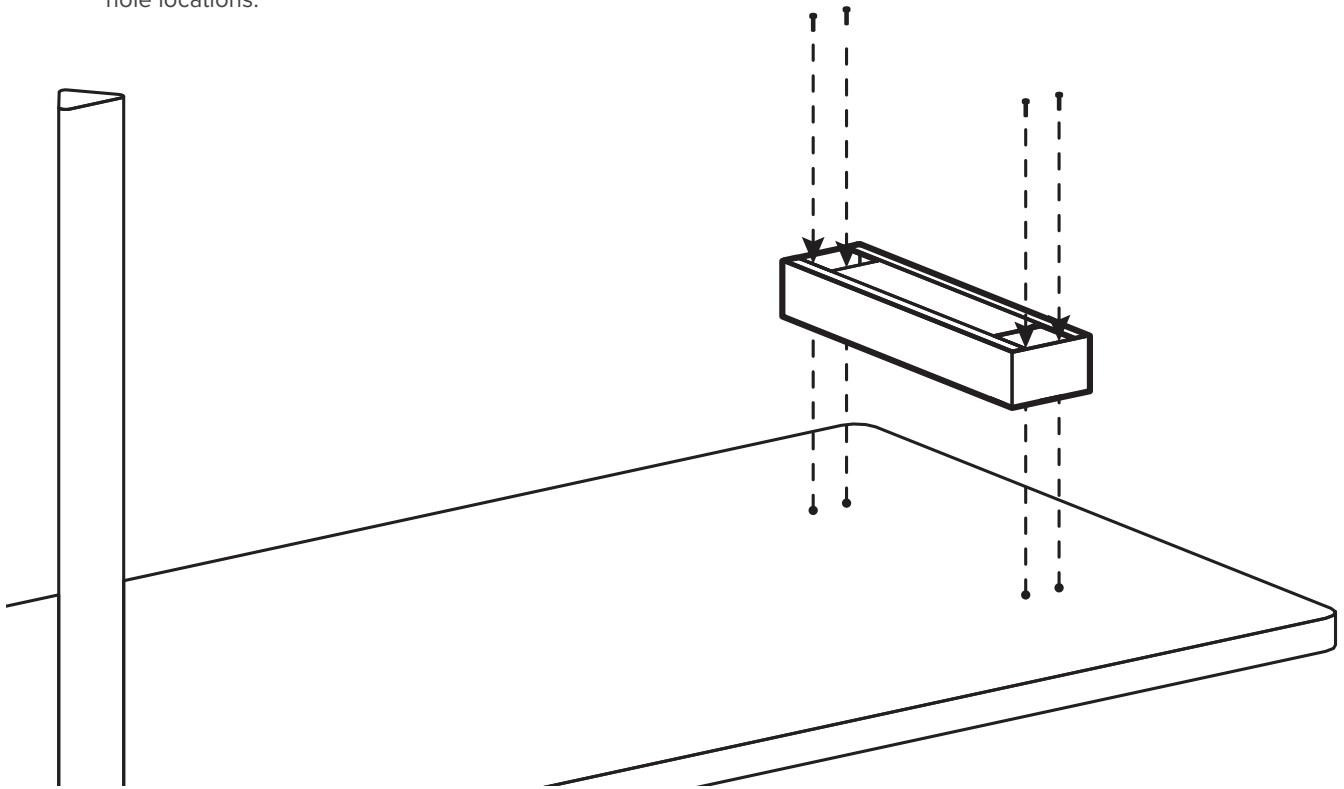
ASSEMBLY

Watson Storage Riser



1. **Attach Riser to Worksurface**

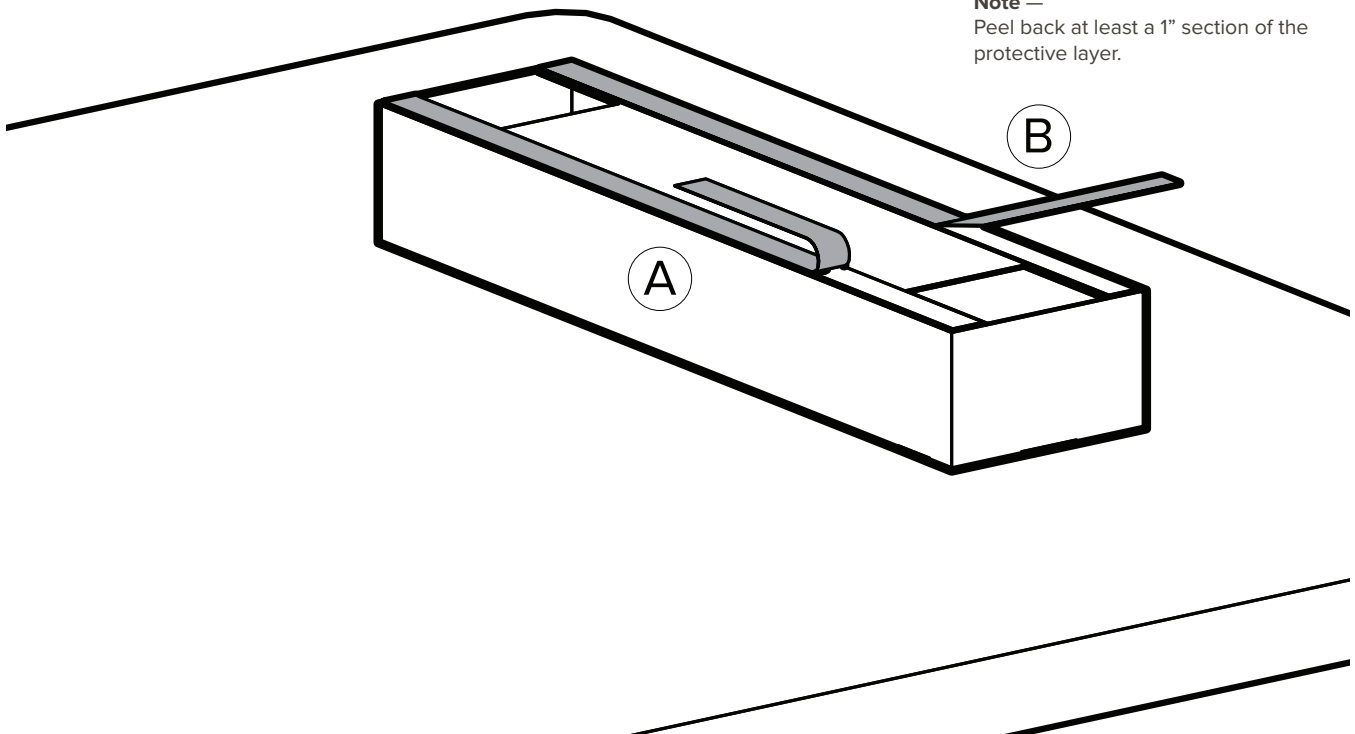
Fasten riser to the bottom of worksurface using pilot hole locations.



2. **Prepare Tape**

- Ⓐ Partially peel back protective layer of double sided tape
- Ⓑ Fold protective layer outward

Note —
Peel back at least a 1" section of the protective layer.



3.

Position Worksurface

Either place non-scratching spacers (over 2½”H for Zo storage and over 1½”H for Miro Storage) on top of storage case or lift the surface over the storage. Align worksurface with storage unit as desired.



4.

Adhere Riser

- Ⓐ Remove entire protective layer from tape
- Ⓑ Carefully remove spacers

WARNING: Once tape has been adhered it cannot be reused.

