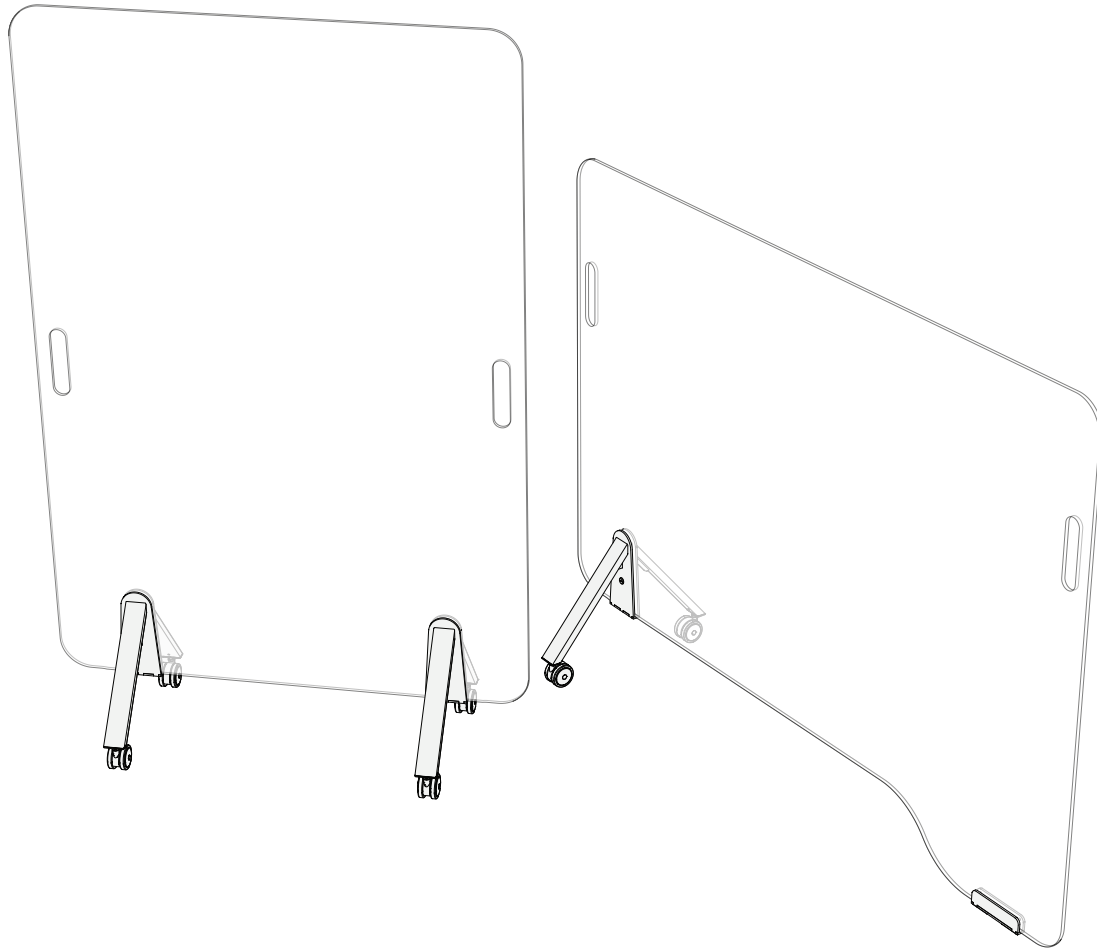


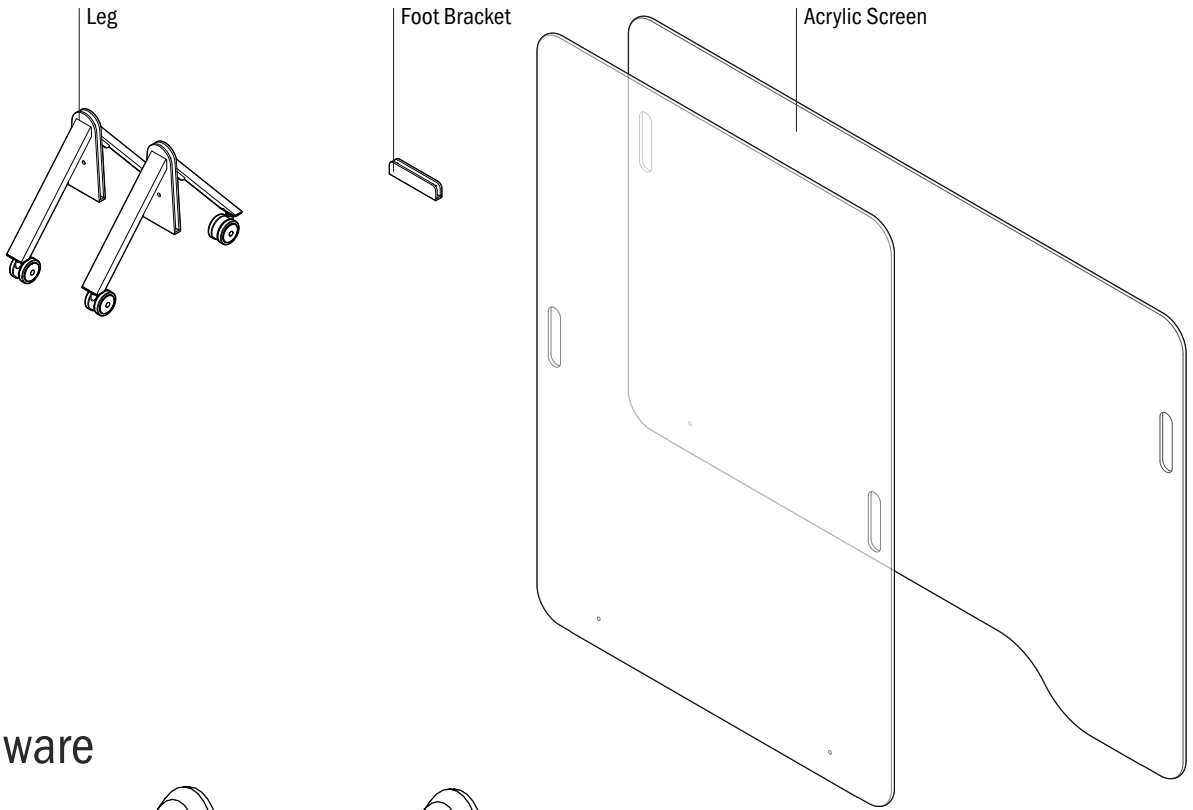
# ASSEMBLY

## Watson Mobile Screen



View Digitally

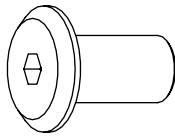
# Acrylic Mobile Screen Basic Components



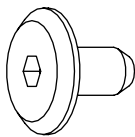
## Hardware



M4-0.7 X 5mm Flat Tip Set Screw (0001612)

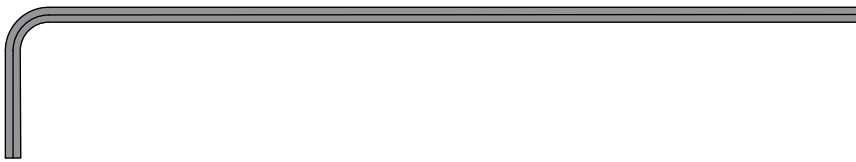


1/4-20 X 17mm Joint Connector Nut (0001613)

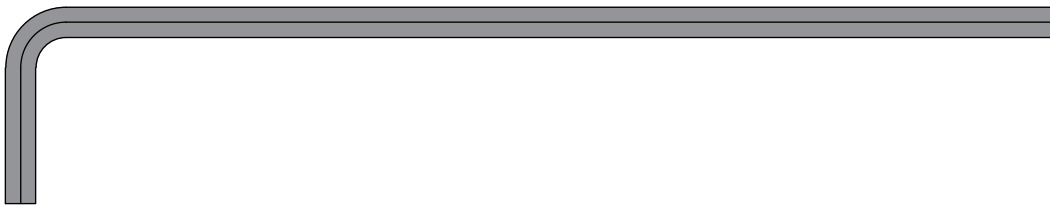


1/4-20 X 12mm Joint Connector Bolt (0001614)

## Tools



2mm Hex Key



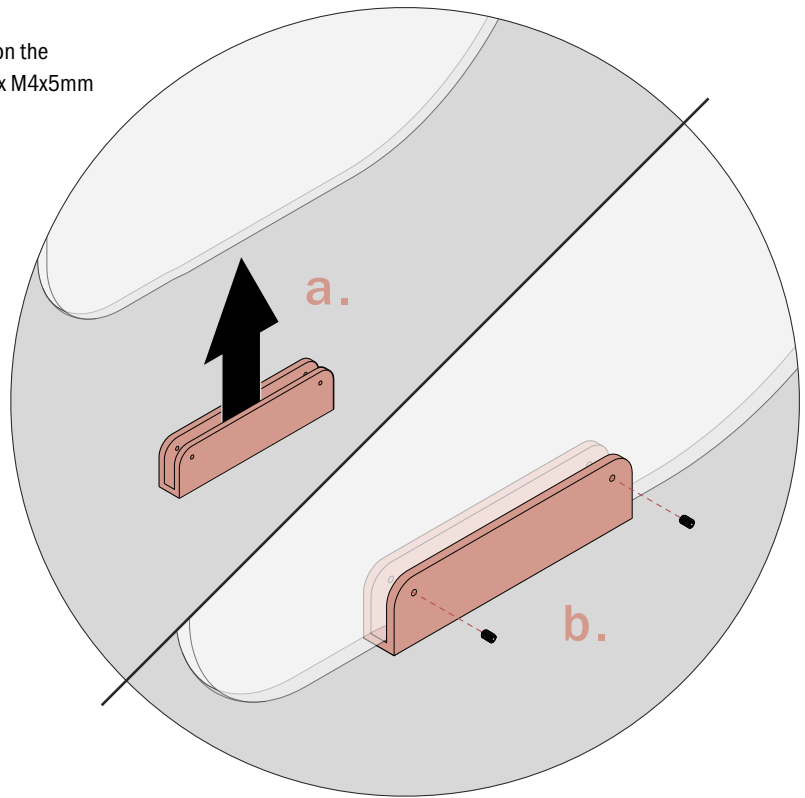
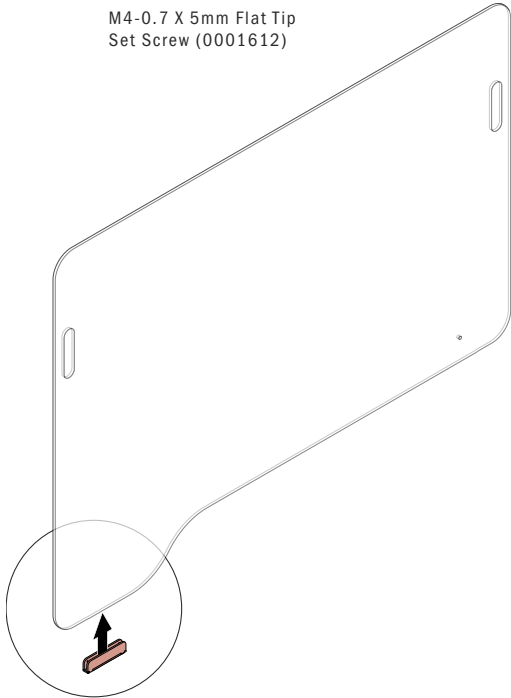
4mm Hex Key

# 1. Attach Landscape Foot

Position the foot bracket on the small flat section on the bottom of the screen and secure it in place using 2x M4x5mm set screws (0001612).

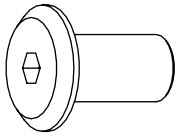


M4-0.7 X 5mm Flat Tip Set Screw (0001612)

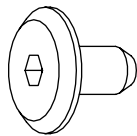


# 2. Attach Portrait Legs

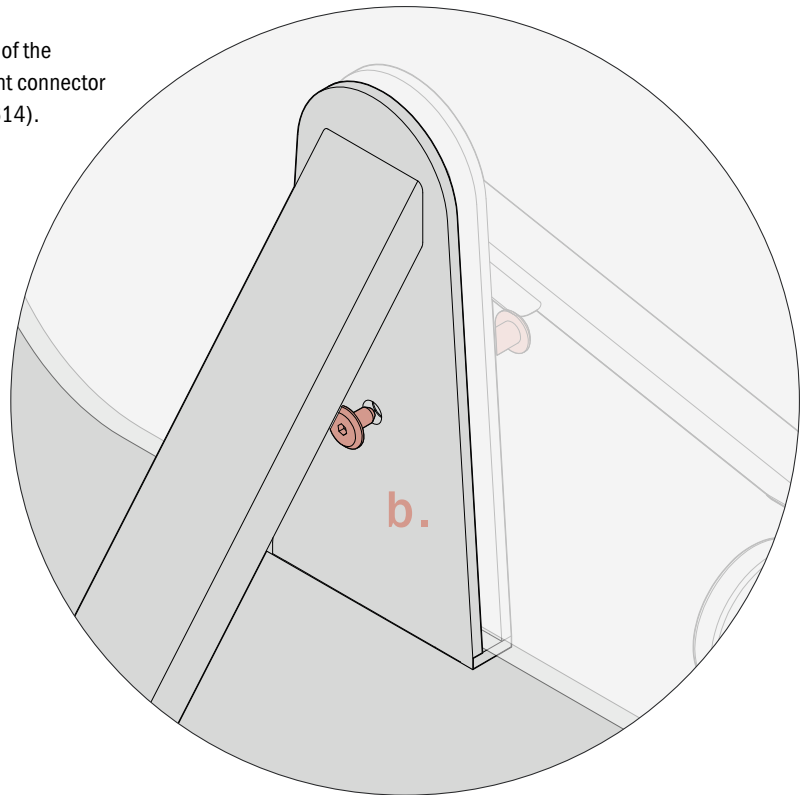
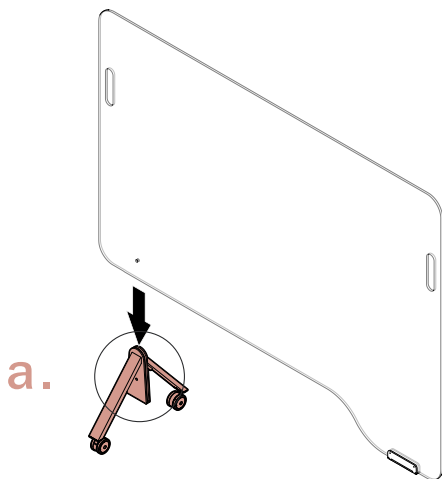
Position the legs in line with the hole in the bottom of the screen. Secure each leg to the screen using 1x joint connector bolt (0001613) and 1x joint connector nut (0001614).



1/4-20 X 17mm Joint Connector Nut (0001613)



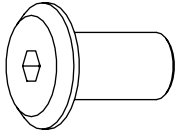
1/4-20 X 12mm Joint Connector Bolt (0001614)



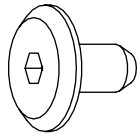
3.

### Attach Landscape Foot

Position the legs in line with the holes near the bottom of the screen. Secure the legs with 1x joint connector bolt (0001613) and 1x joint connector nut (0001614).



1/4-20 X 17mm  
Joint Connector  
Nut (0001613)



1/4-20 X 12mm  
Joint Connector  
Bolt (0001614)

