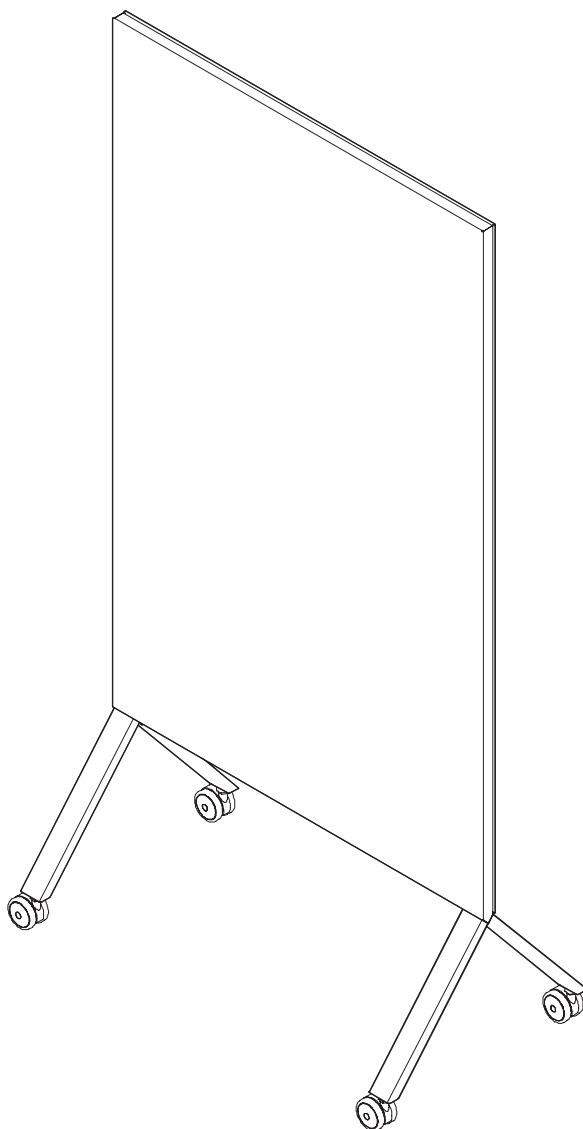


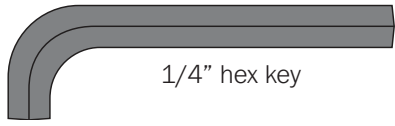
ASSEMBLY

Watson Etch

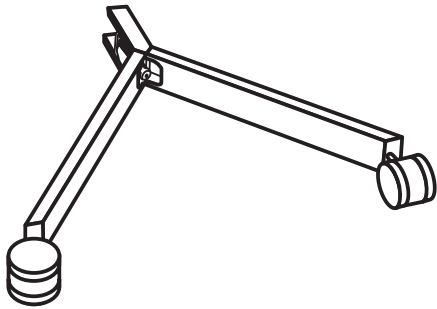


View Digitally

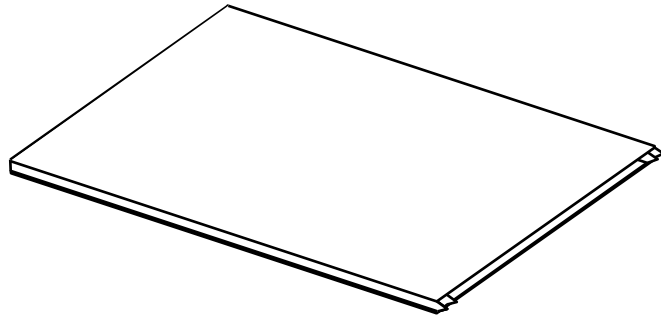
NECESSARY TOOLS



COMPONENTS

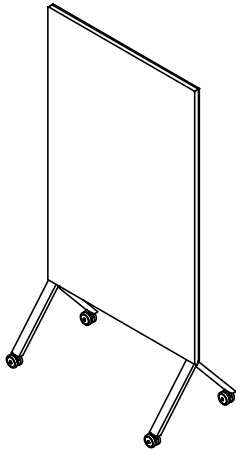


Etch Leg



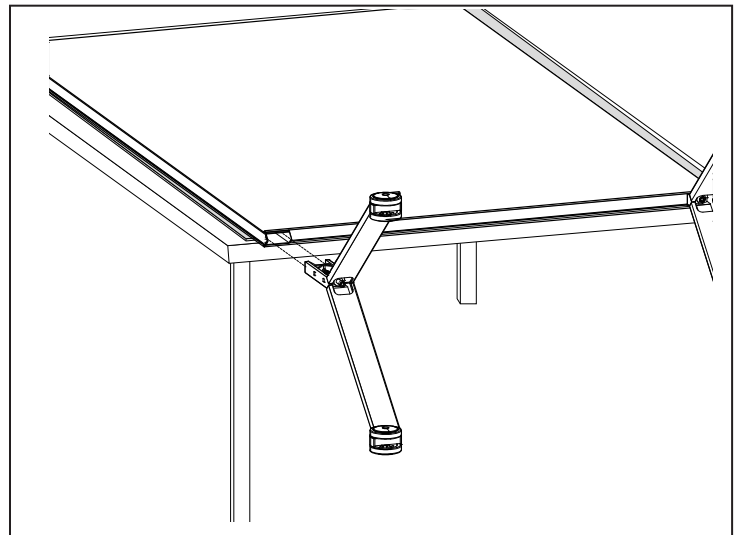
Etch Markerboard

INSERT ETCH LEGS



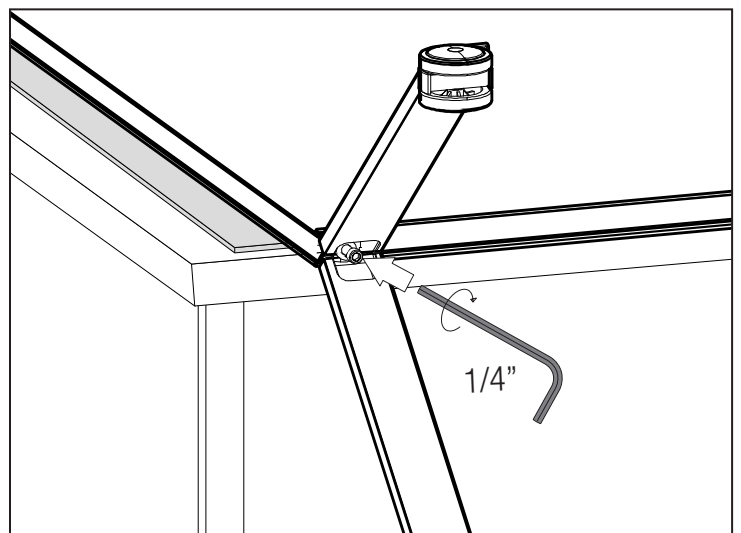
Lay the etch markerboard on a flat surface. Use a sheet of cardboard or a blanket to protect from scratching the markerboard surface. Slide legs into frame tube.

1



Tighten bolt in each leg using 1/4" hex key to secure in place.

2



ASSEMBLY COMPLETE

