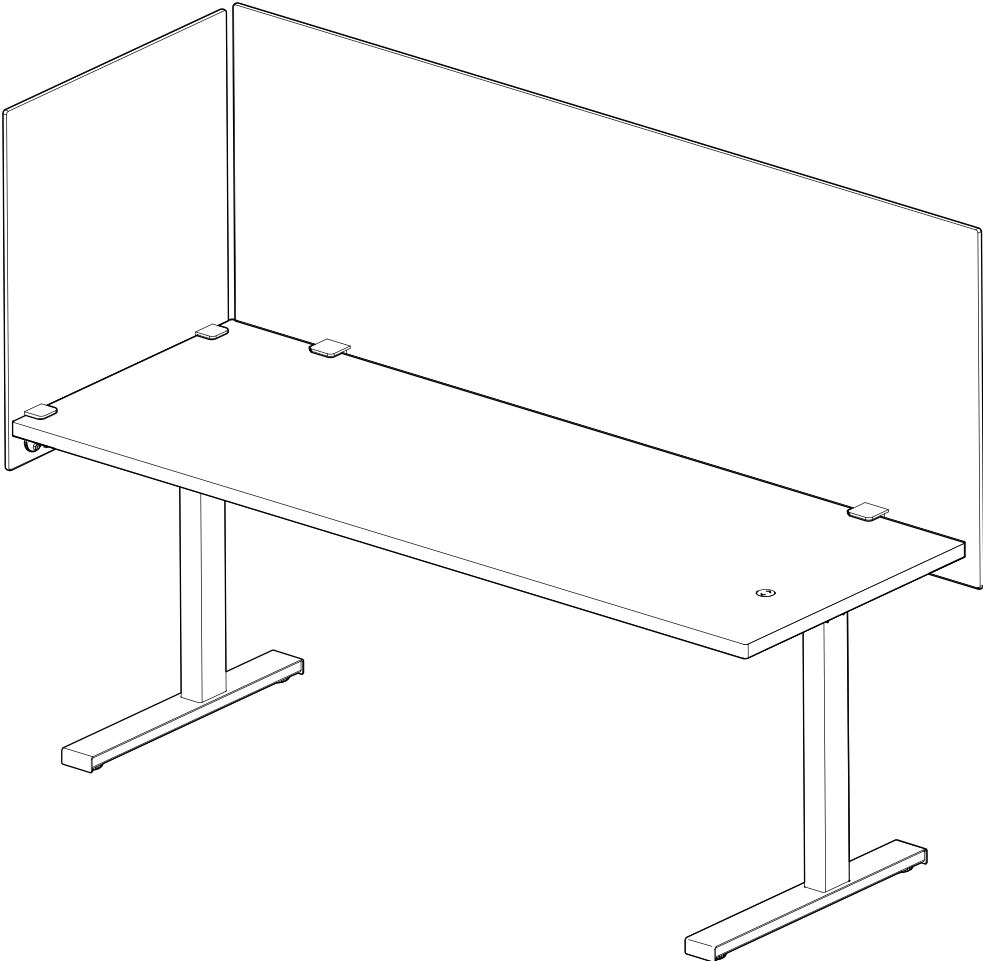
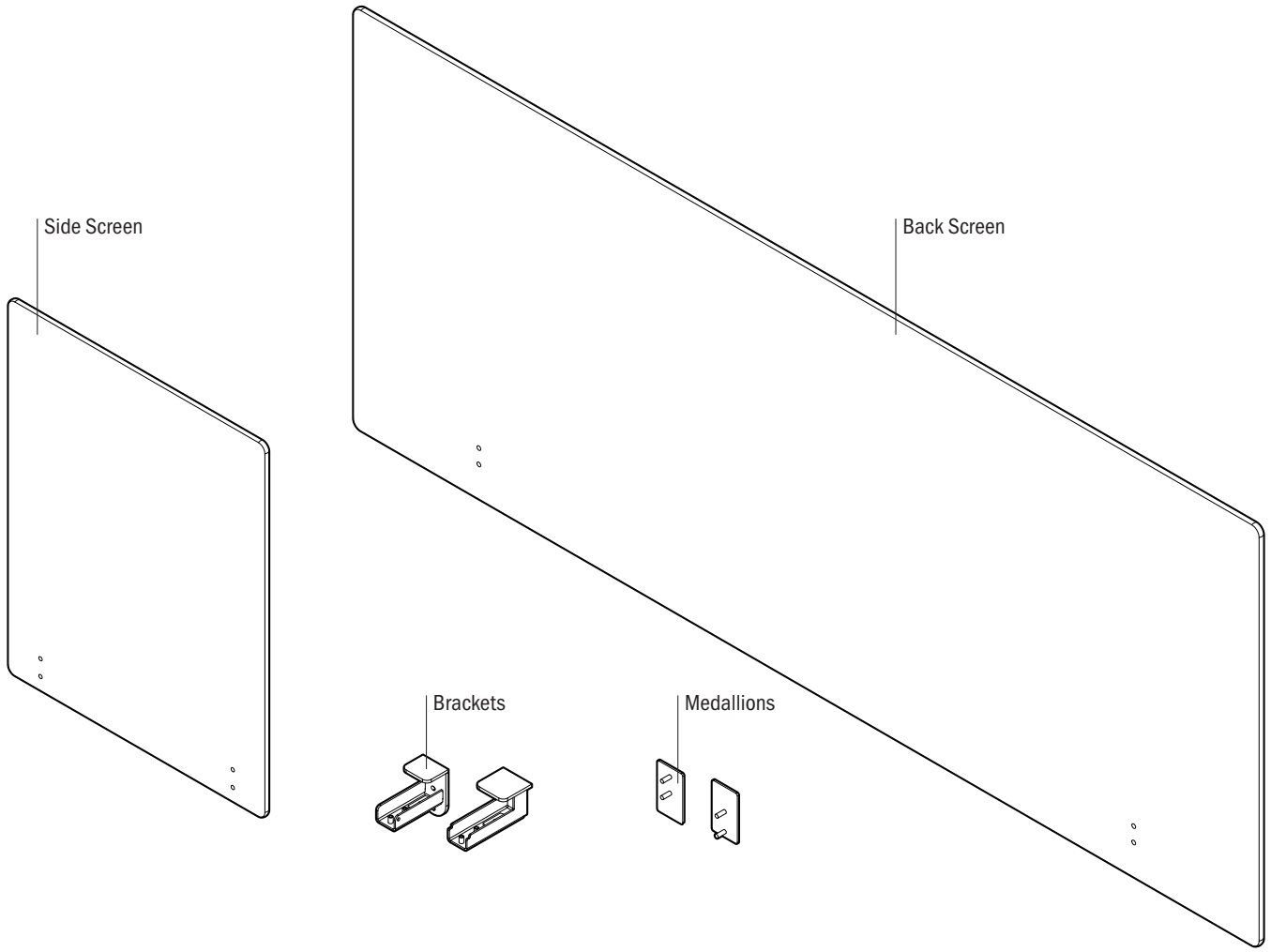


ASSEMBLY

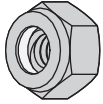
Watson Pin & Tak Deskmount Acrylic Screen



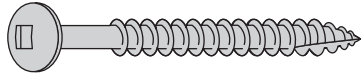
Acrylic Deskmount Screen Basic Components



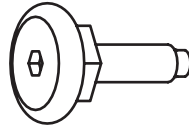
Hardware



1/4"-20 Lock Nut,
Zinc (090770)

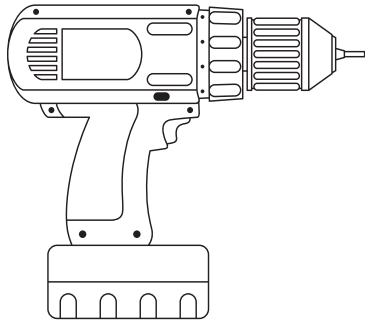


Square Drive Thread Cutting
Screw #8x1 3/4" (0000238)



5/18-18x1" Clamping
Screw (0000229)

Tools



Electric Drill



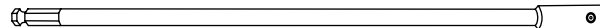
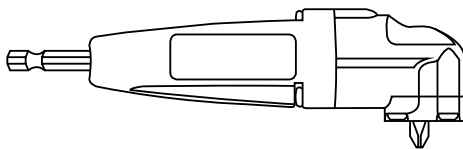
Phillips Drill/Driver Bit



2mm Hex Drill/Driver
Bit



3mm Hex Drill/Driver
Bit



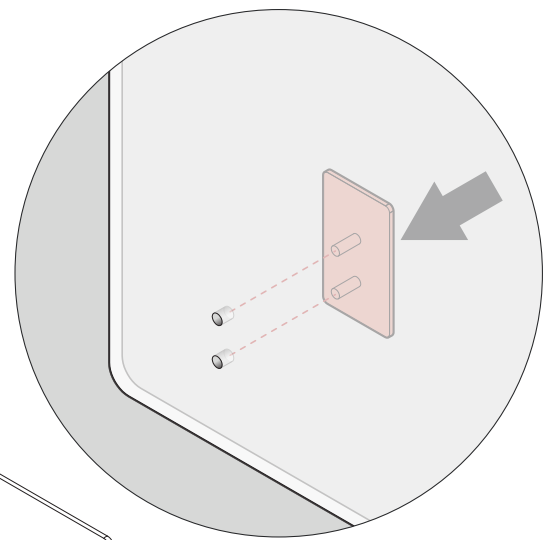
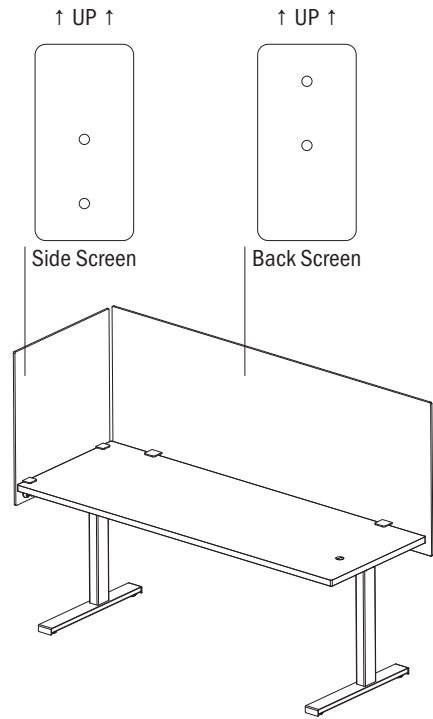
Additional tools such as a 90 Degree Bit and an 18" Extension are helpful for some steps

*No torque or ball bits should be used

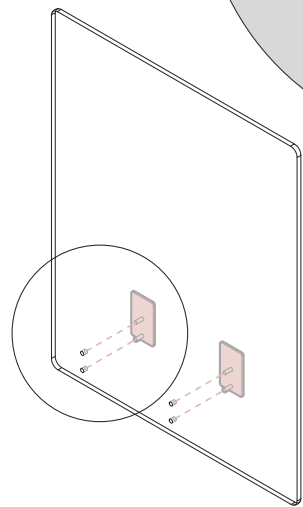
1. Position Medallions

Press Medallion plates into holes in acrylic until flush. Consult visual to determine orientation for Desk and Side Screen.

NOTE: Medallion orientation depends on Screen type

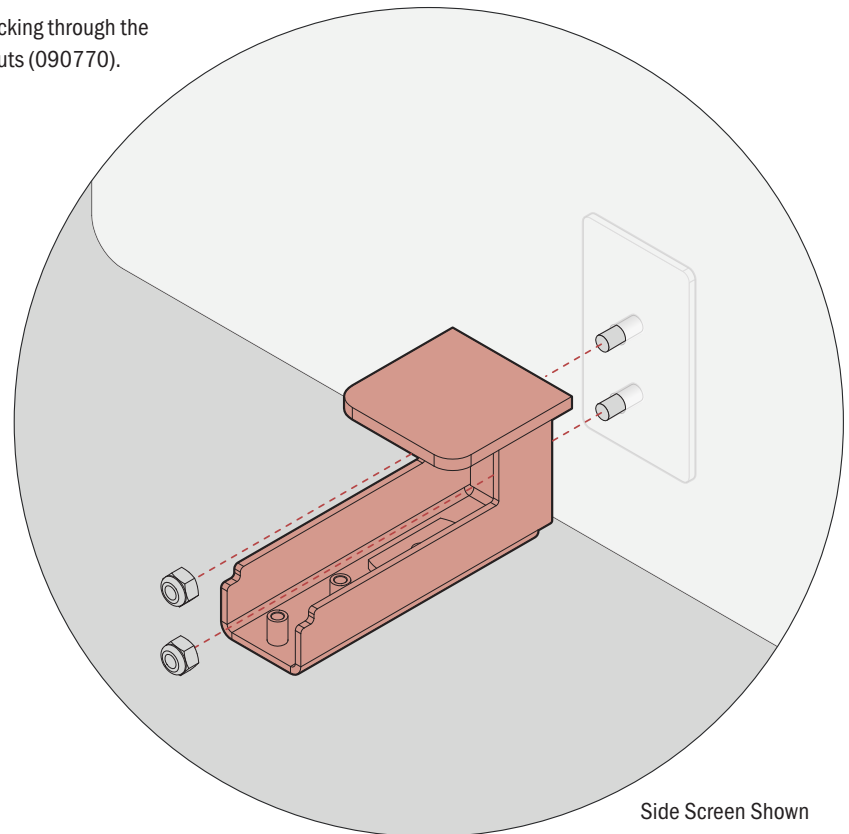
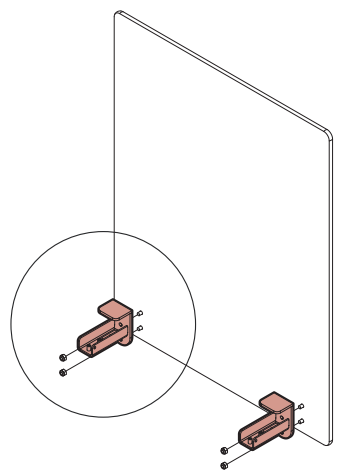


Side Screen Shown



2. Secure Brackets

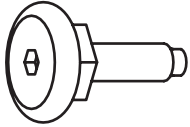
Position mounition brackets onto the studs sticking through the board and secure into place with nylon-lock nuts (090770).



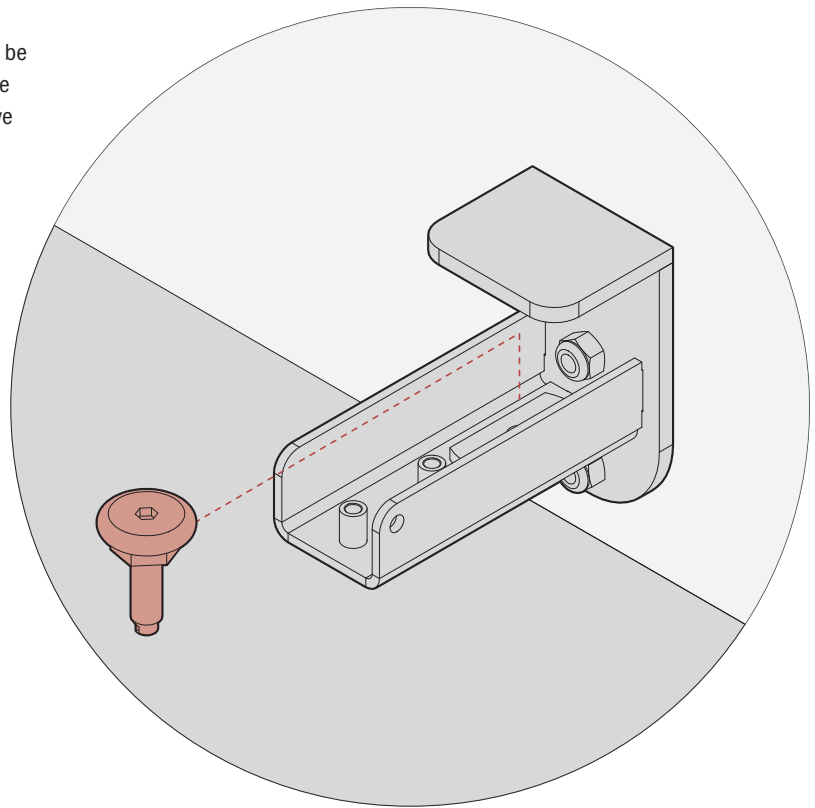
Side Screen Shown

3. Insert Clamping Screw

For 90 edges, the clamping screw (0000229) can be attached by screwing into the threaded hole on the back internal of the bracket. The screw should have at least 3/4" clearance from top of bracket.



5/18-18x1" Clamping Screw (0000229)



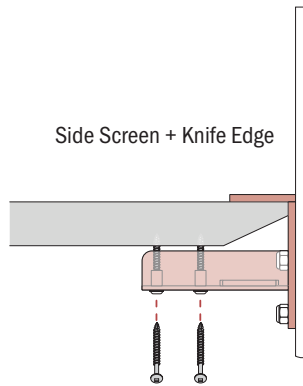
4. Attaching to Desk

Slide screen onto desk until bracket is flush with edge.
If a 90 Edge, tighten clamping screw up against underside of desk.
If a knife edge, screw wood screws (0000238) through front two holes into top.

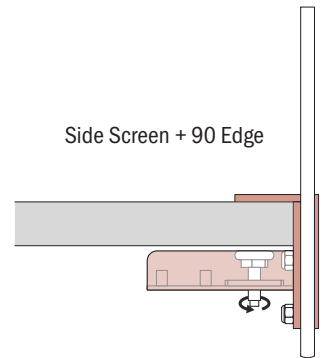


Square Drive Thread Cutting Screw #8x1 3/4" (0000238)

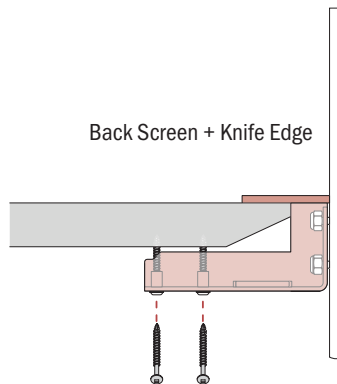
Side Screen + Knife Edge



Side Screen + 90 Edge



Back Screen + Knife Edge



Back Screen + 90 Edge

