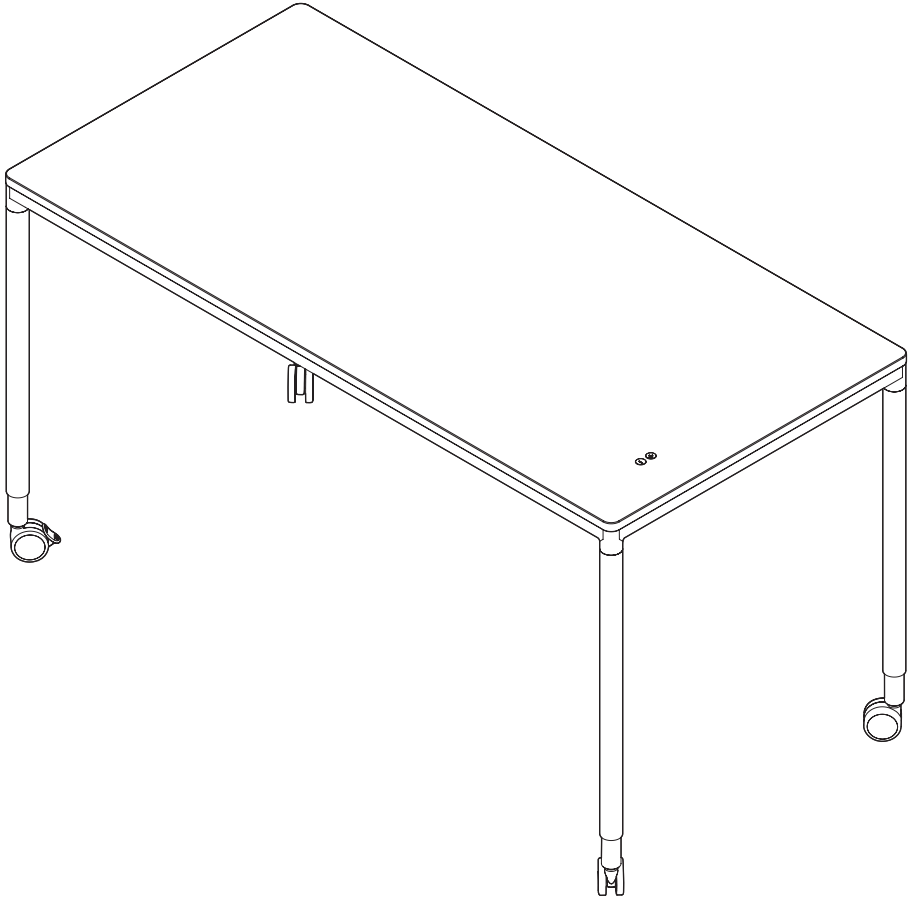
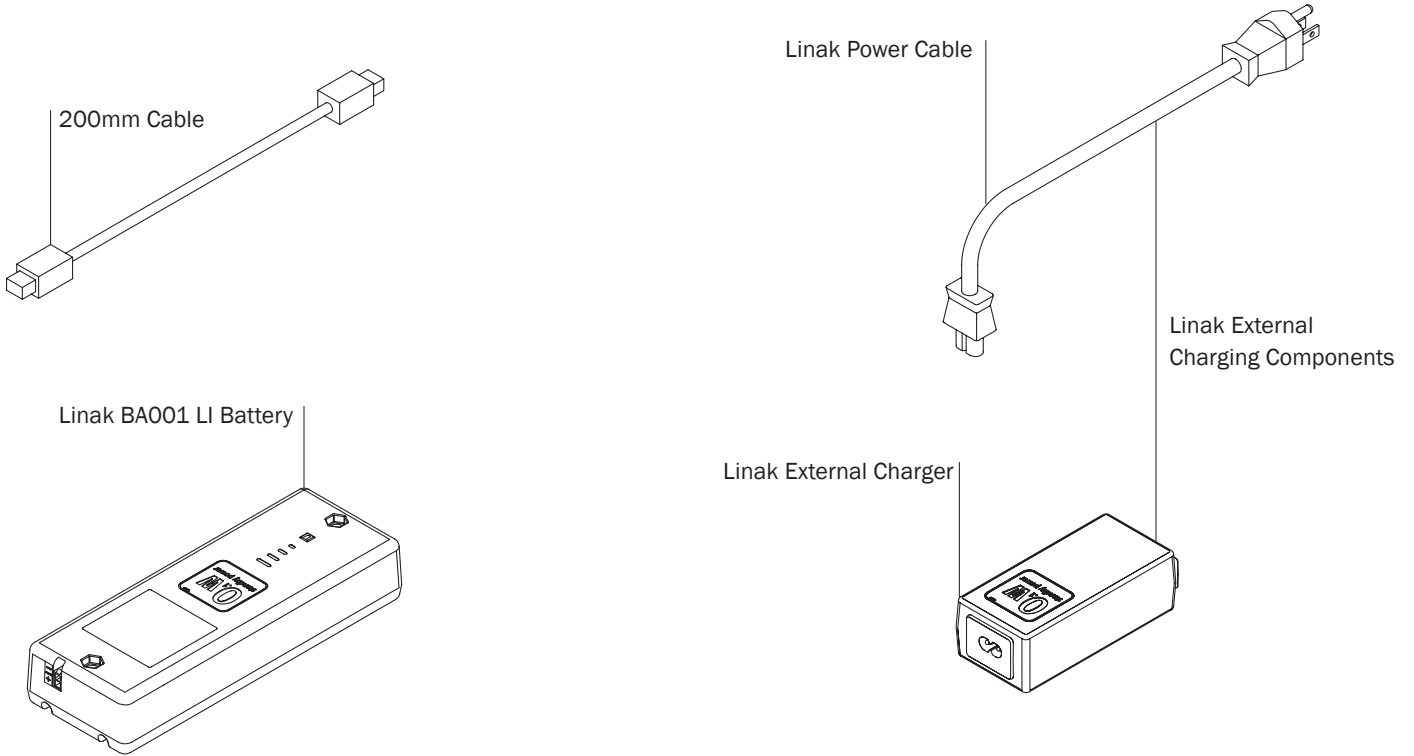


ASSEMBLY

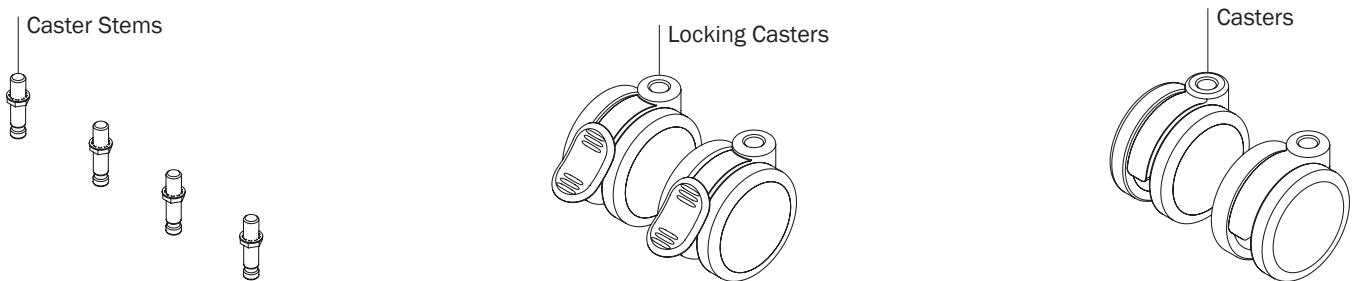
C9™ Stand By Power & Mobility Kits



C9 Stand By Power Kit Components



C9 Mobility Kit Components

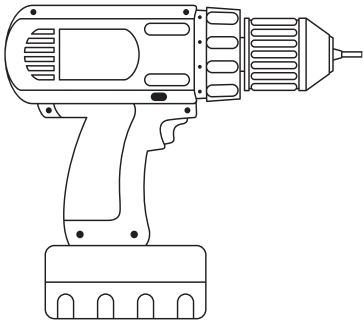


Hardware



#8 x 5/8" Flat Head Screw
(116754)

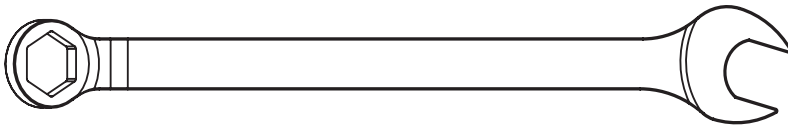
Tools



Electric Drill



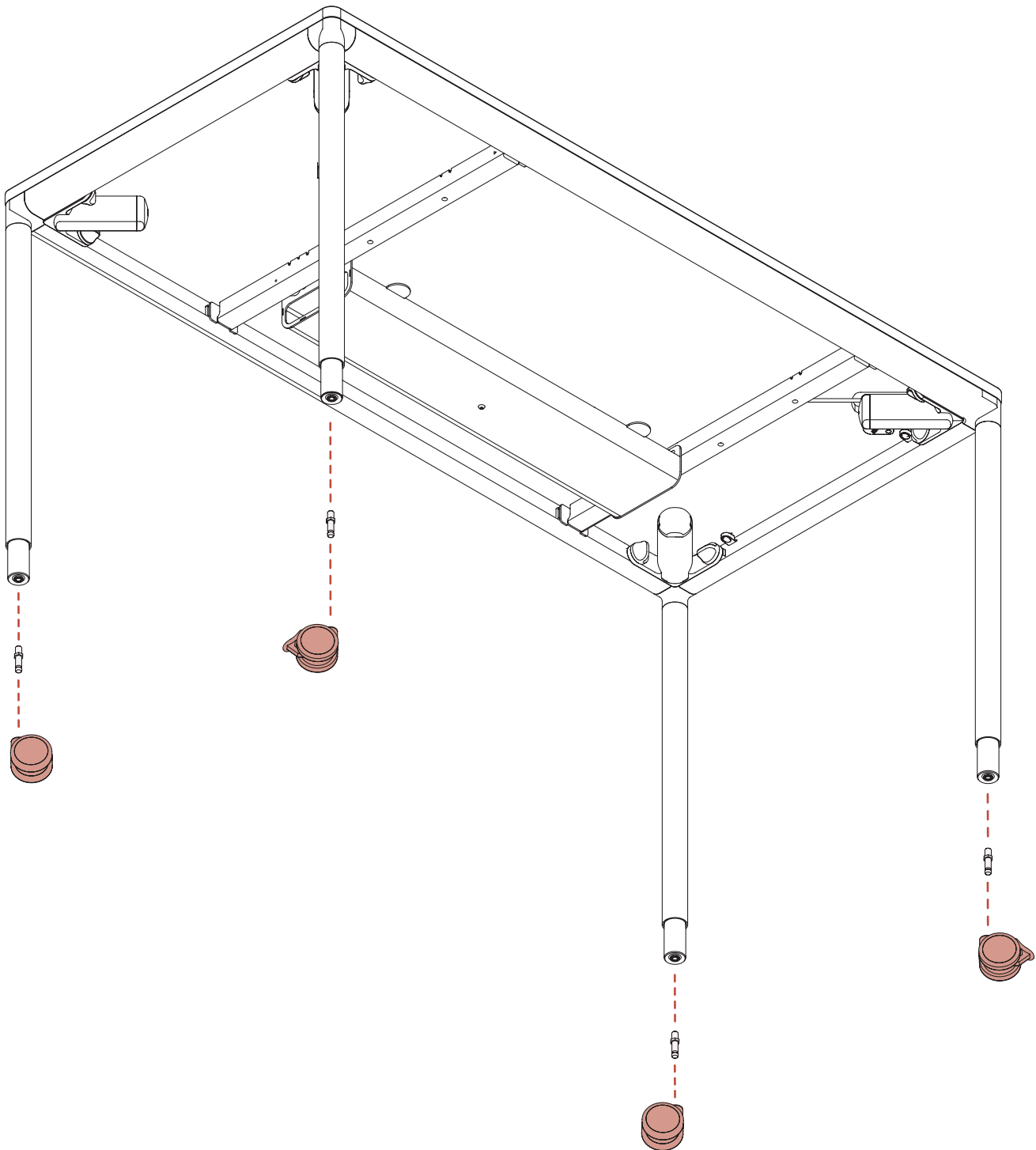
Phillips Bit



1/2" Wrench

1. Mobility Kit: Install Casters

Remove the glides and replace them with the (4) stems using a 1/2" wrench to tighten the stems snugly. Push the casters onto the stems. Place the locking casters at the front of the desk for easier access. A helpful tip when installing the casters is to prop the desk onto a taller object, to allow for access to the desk feet.

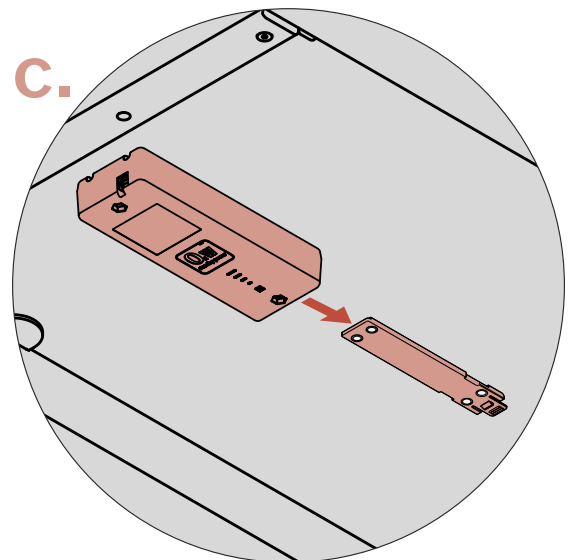
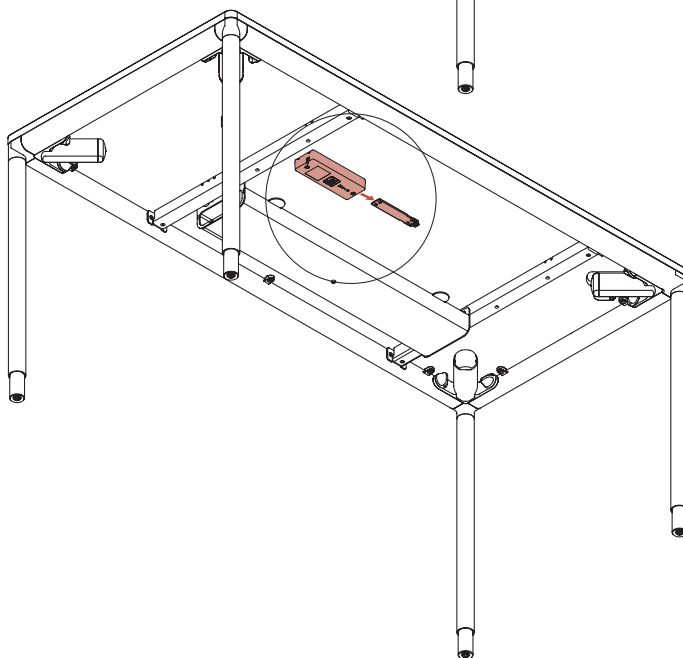
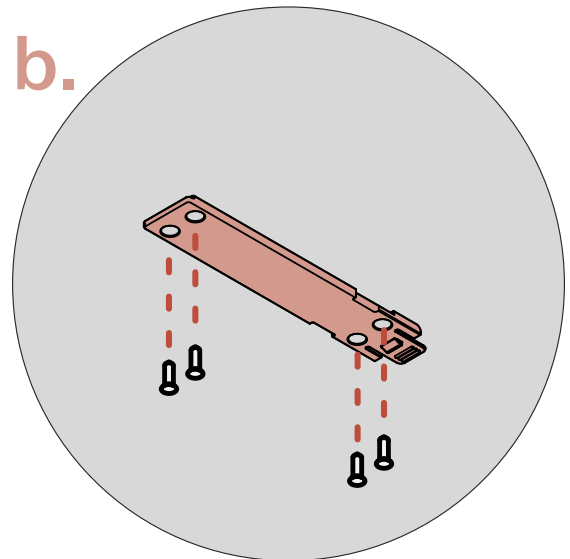
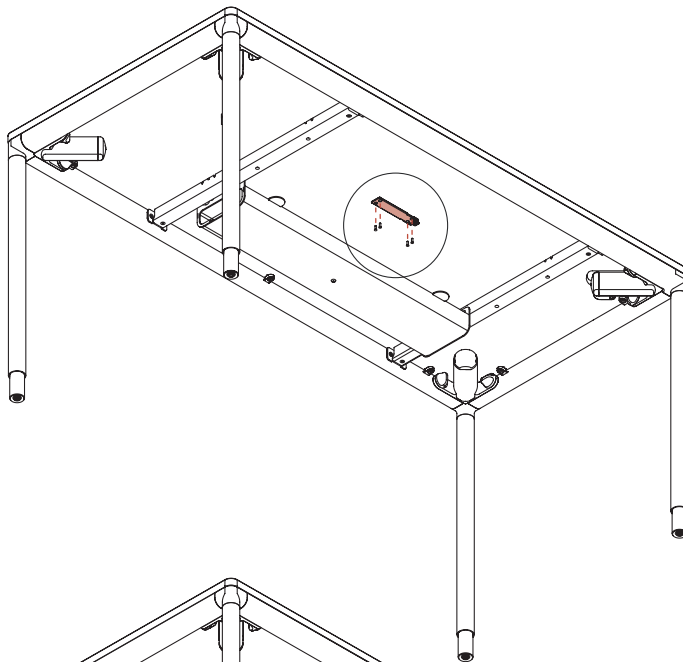
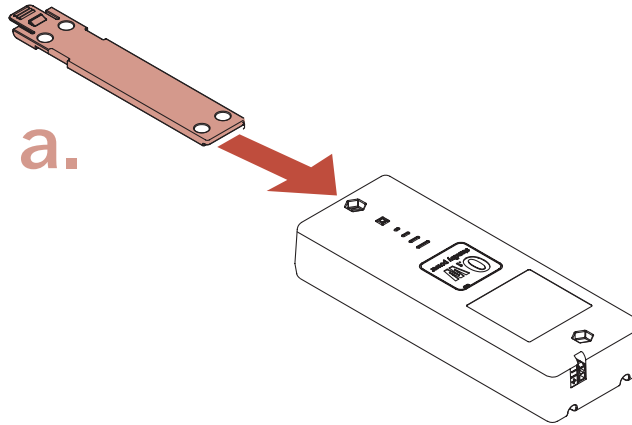


1. Stand By Power Kit: Install Battery Pack

Remove the battery bracket from the back of the battery by sliding the bracket off of the battery (a.). Using (4) screws secure the bracket to the underside of the desk surface (b.). Once the bracket is secured, install the battery by sliding the battery onto the bracket until it clicks (c.). Note the placement of the bracket to allow for clearance when attaching or removing the battery pack, also check placement of the bracket to allow the 200mm cable to reach the control box.

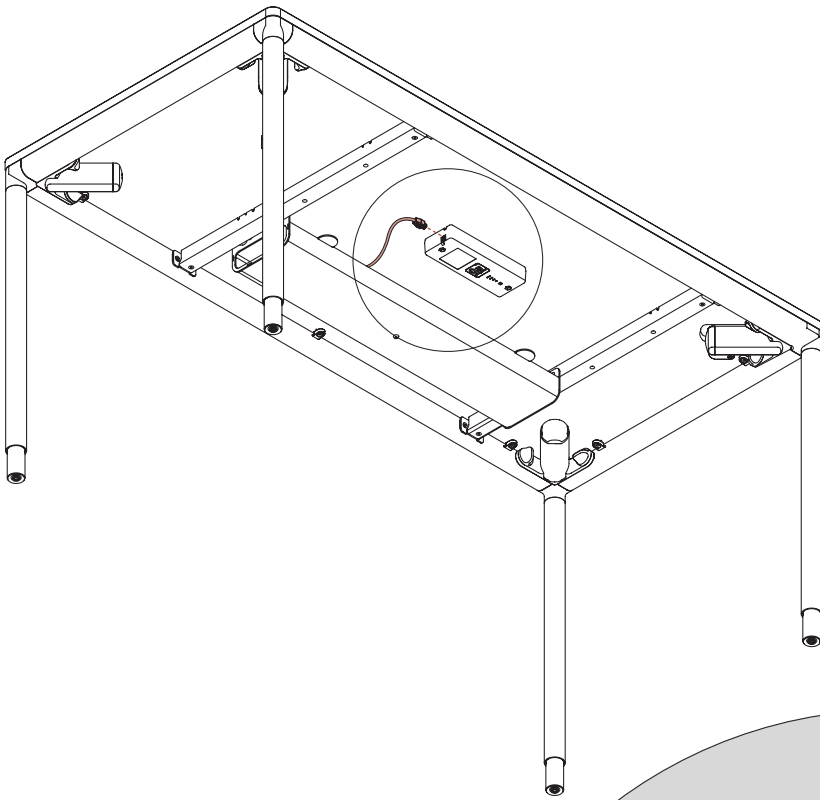


#8 x 5/8" Flat Head Screw
(116754)



2. Stand By Power Kit: Connect Battery to Control Box

Connect the 200mm cable to the battery and route it to the control box located in the Cable Tray of the worksurface. Plug into the 2 port connection labeled DC. For more information on use of external charger & power cord, refer to Linak Battery Pack manual, QR code/link below.



Linak Instructions

