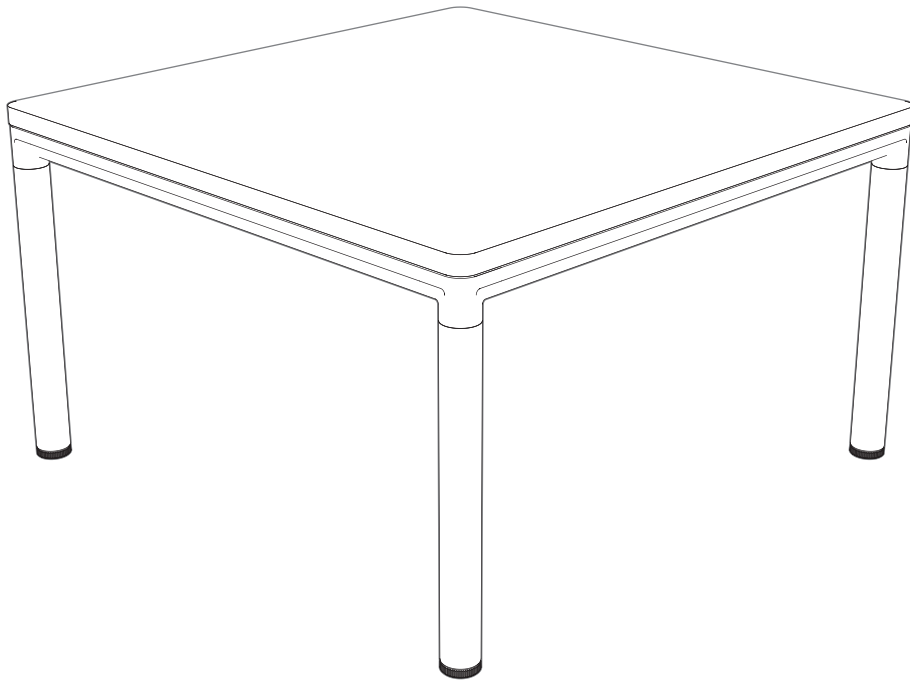


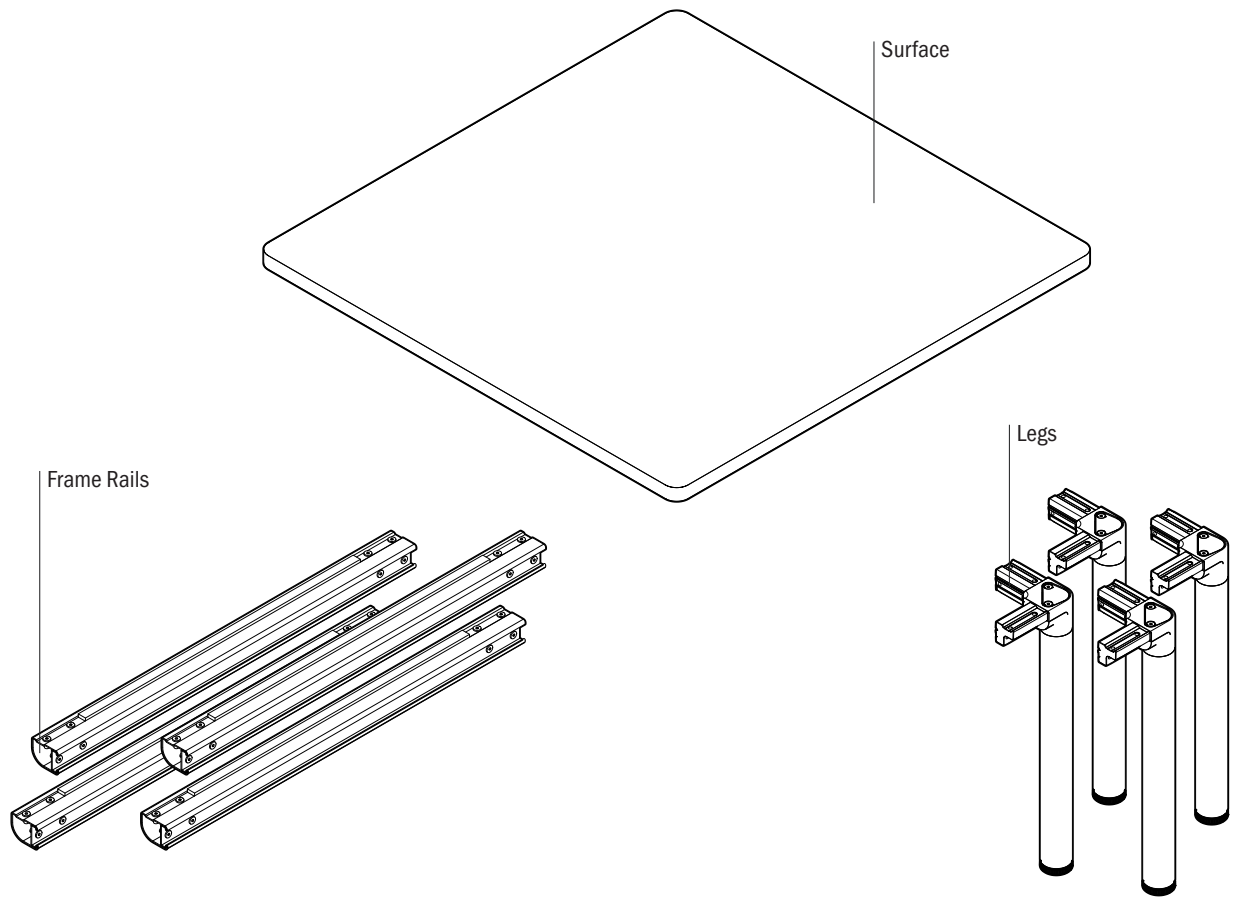
# ASSEMBLY

C9™ Occasional Table

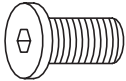


View Digitally

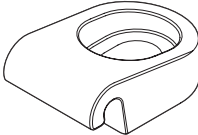
# C9 Occasional Table Basic Components



# Hardware

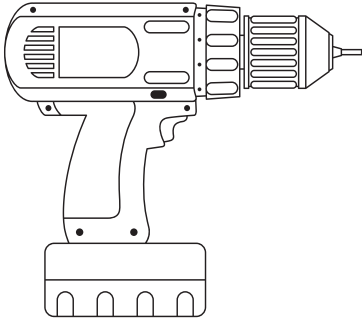


M6-1.0x12mm Low Profile Cap Screw (0001140)



Top Clip (0001156)

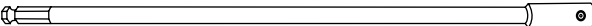
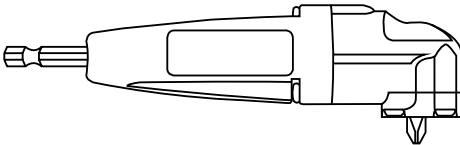
# Tools



Electric Drill



3mm Hex Drill/Driver Bit

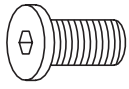


Additional tools such as a 90 Degree Bit and an 18" Extension are helpful for some steps

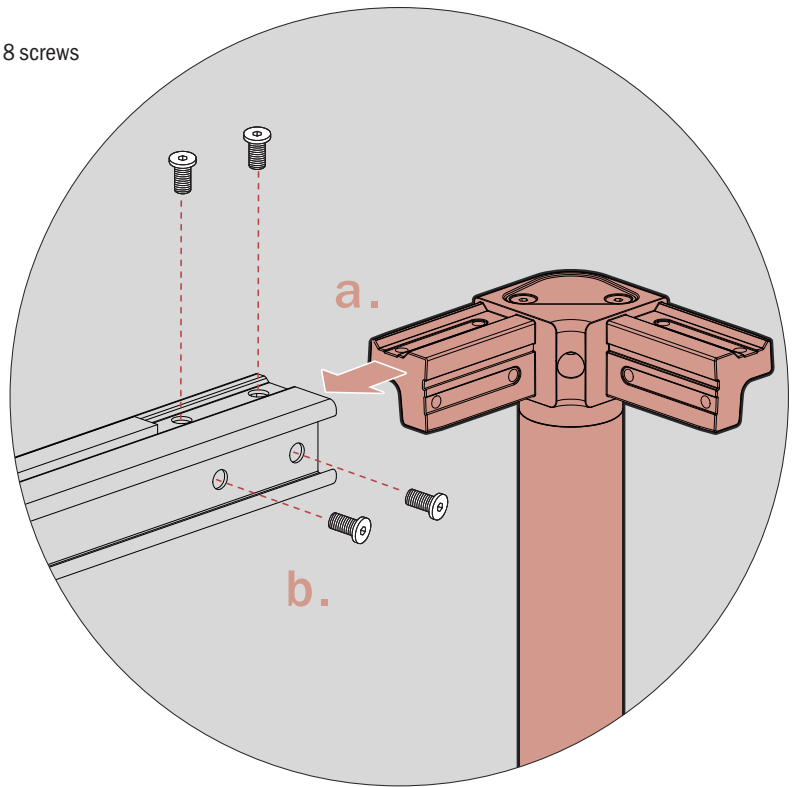
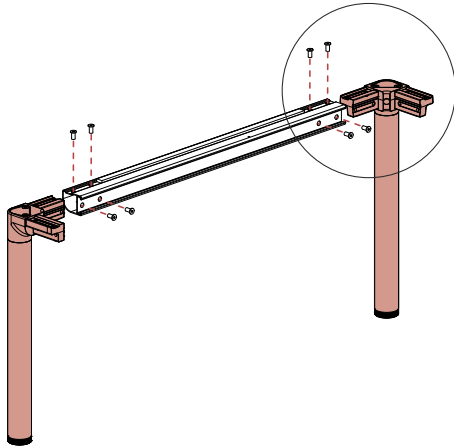
\*No torque or ball bits should be used

# 1. Attach Legs to Frame Rails

Insert 2 legs into a frame rail and secure them using 8 screws (0001140). Repeat this step for the other side.

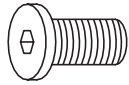


M6-1.0x12mm Low Profile Cap Screw (0001140)

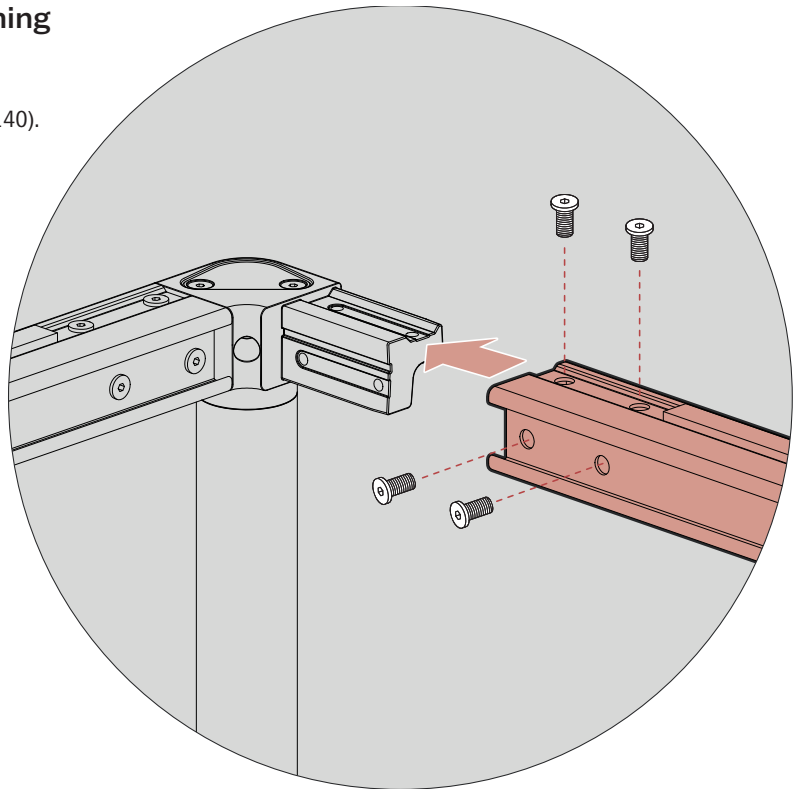
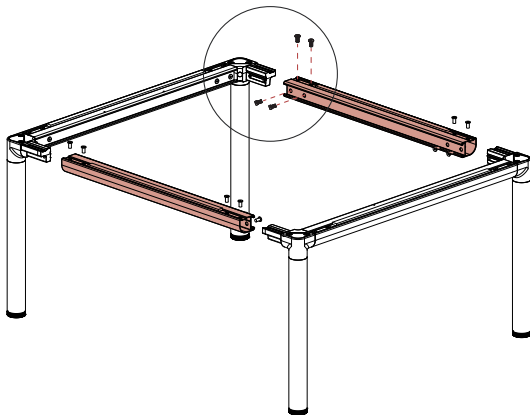


# 2. Attach Leg Assembly to Remaining Frame Rails

Slide the remaining frame rails onto one of the leg assemblies and secure them with 8 screws (0001140). Repeat this step for the other leg assembly.

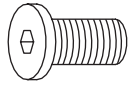


M6-1.0x12mm Low Profile Cap Screw (0001140)

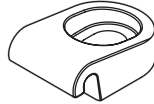


### 3. Attach Frame to Top

Place the Top upside down on a soft surface. Place the frame upside down on the worksurface and align such that the edges are flush all the way around. Clip the top clips into the frame rail channel and drive a screw (0001140) until tight. Repeat for the remaining clips. When complete, flip the table over.



M6-1.0x12mm Low  
Profile Cap Screw  
(0001140)



Top Clip (0001156)

