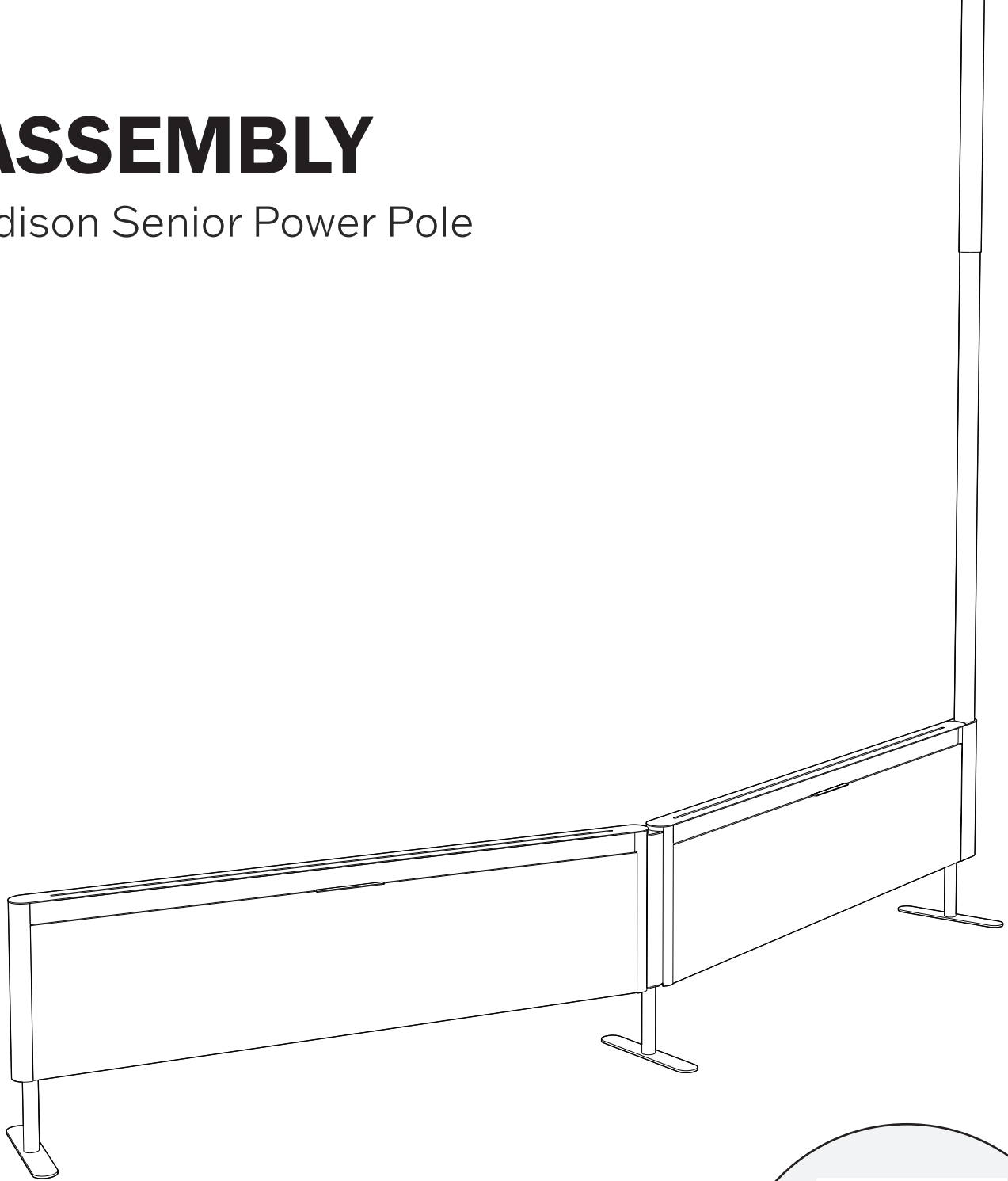


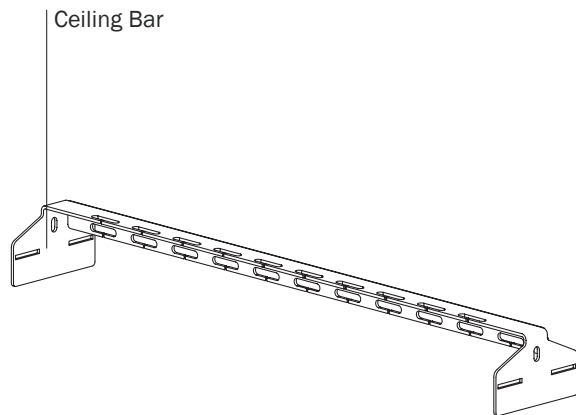
# ASSEMBLY

Edison Senior Power Pole

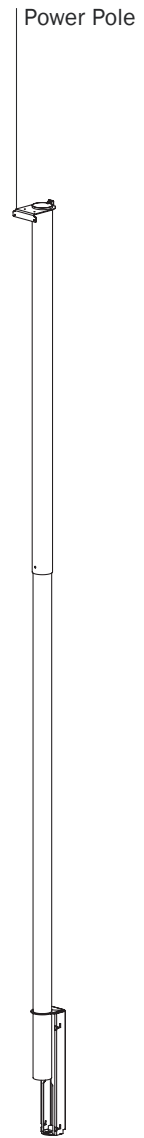


View Digitally

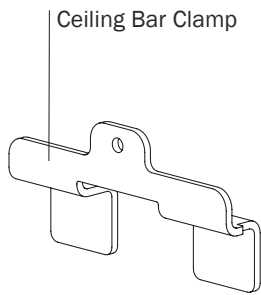
# Edison Senior Power Pole Basic Components



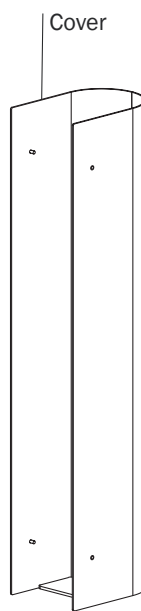
Ceiling Bar



Power Pole

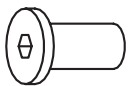


Ceiling Bar Clamp



Cover

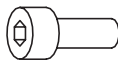
## Hardware



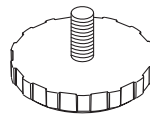
M6-1.0x12mm Low Profile Cap Screw (0001140)



M4-0.7x8mm Button Head Cap Screw (0001246)



M4-0.7x10mm Socket Head Cap Screw (0001246)

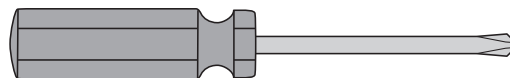


Glide w/ 5/16-18 x 3/4" Long Stem (059325)

## Tools



3mm Hex Key



Philips Screwdriver

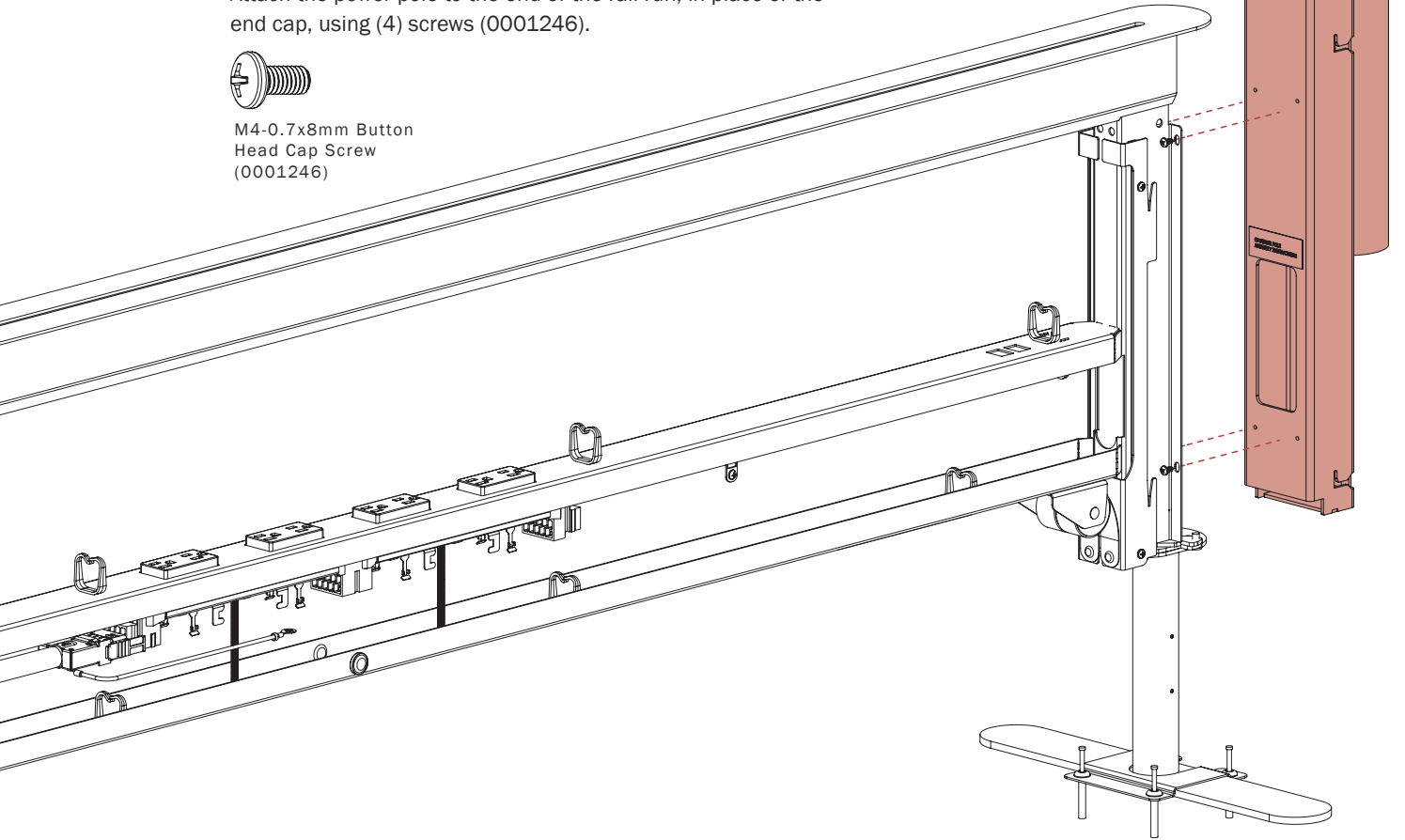


## 1. Attach Power Pole to End Leg

Attach the power pole to the end of the rail run, in place of the end cap, using (4) screws (0001246).

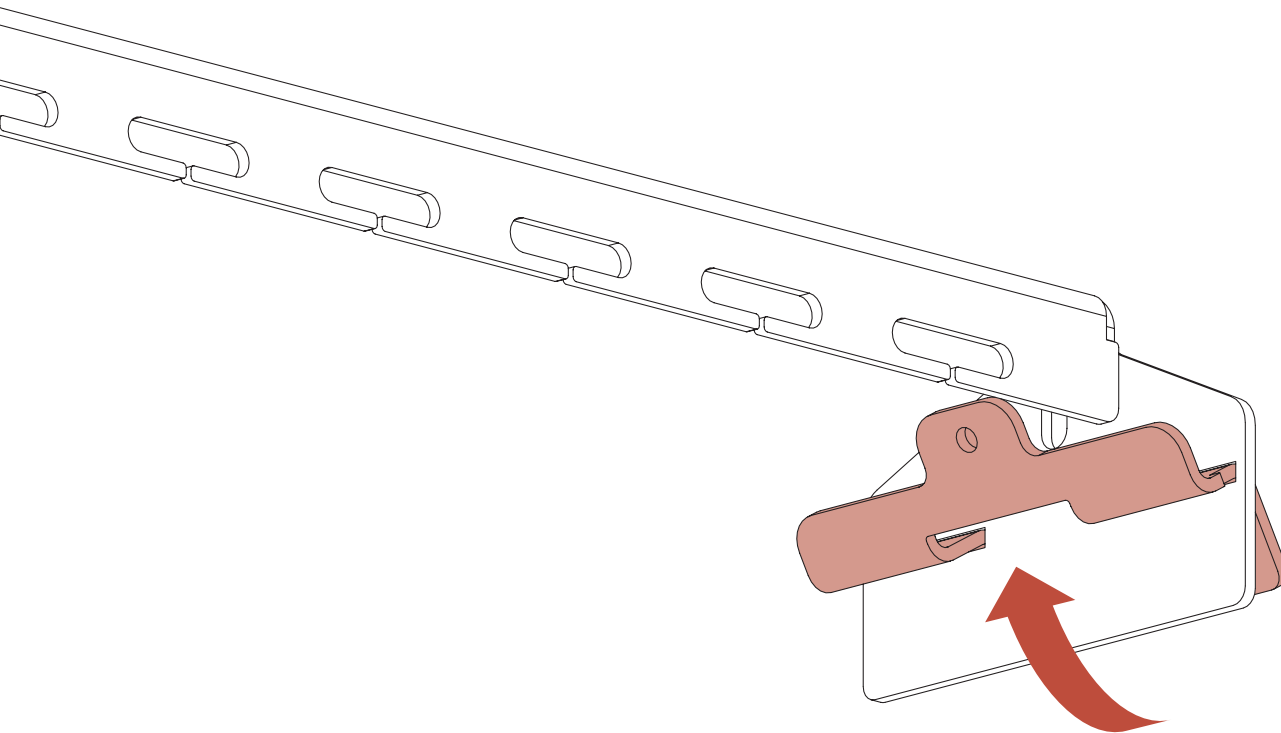


M4-0.7x8mm Button  
Head Cap Screw  
(0001246)



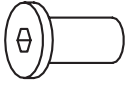
## 2. Attach Clamp to Ceiling Bar

Fit the ceiling bar clamp into the slots at the end of the ceiling bar, and rotate into place, as shown below.

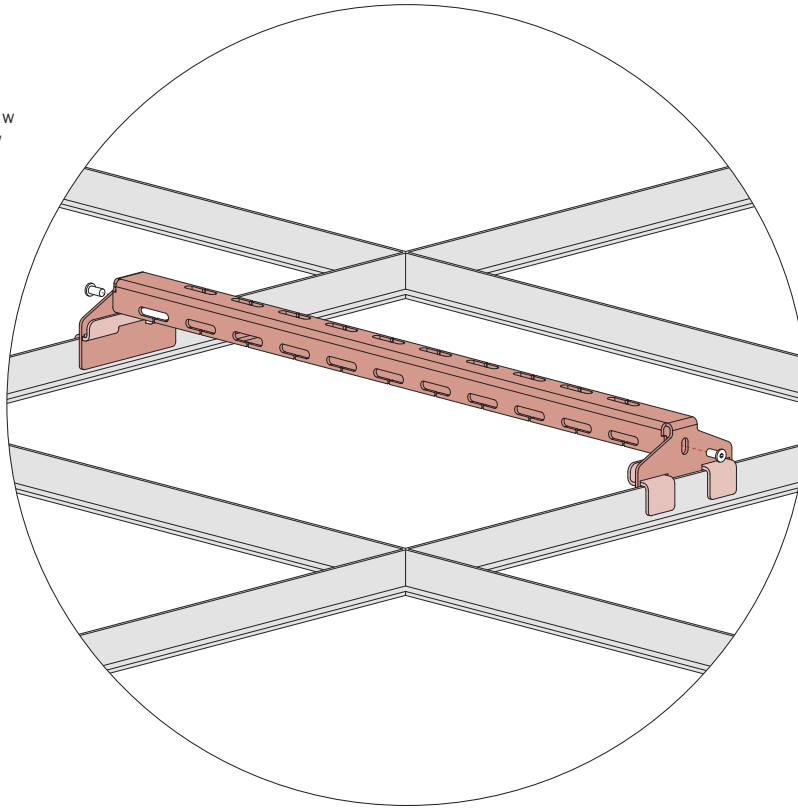


### 3. Mount Ceiling Bar to Ceiling

Hook the ceiling bar on the 2' ceiling grid and screw the clamp to the ceiling bars with one screw (0001140) on each side. Note: ensure that ceiling system has required weight capacity.

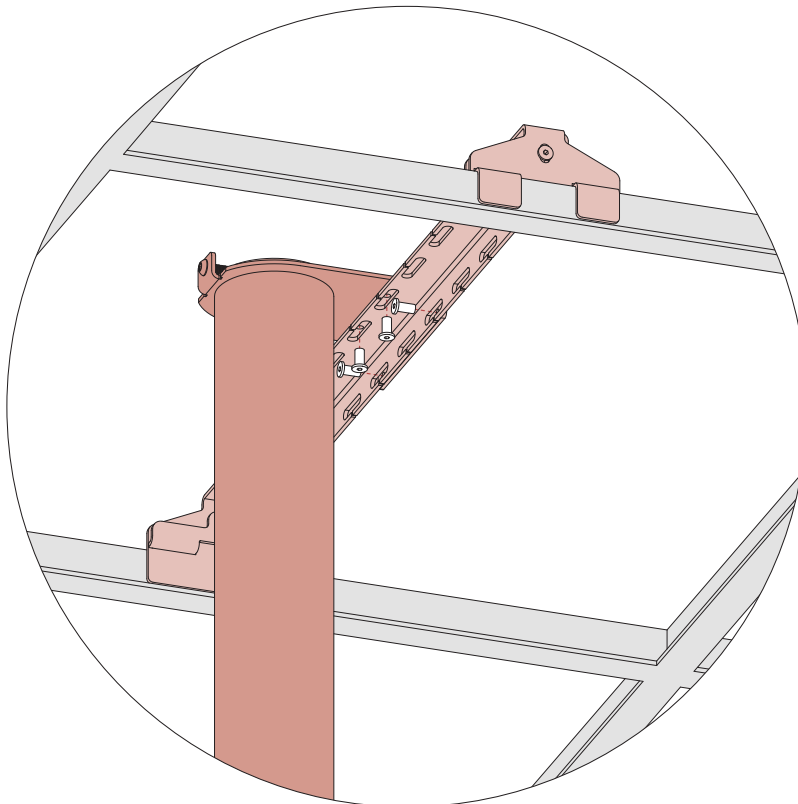


M6-1.0x12mm Low Profile Cap Screw (0001140)



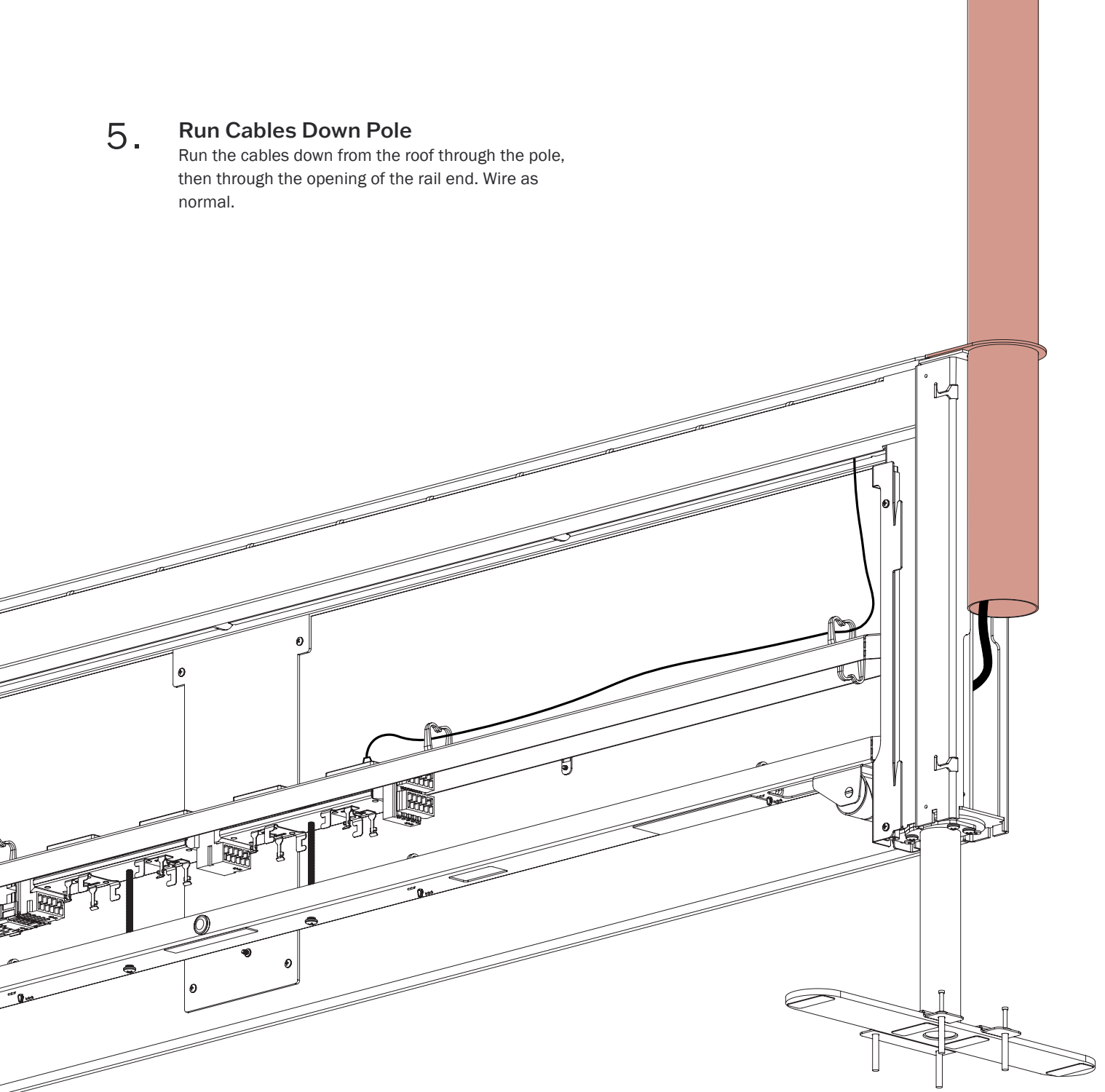
### 4. Connect Power Pole to Ceiling

Hook the power pole onto the ceiling bar, and align the pole with the bracket at the desired position. Screw the pole to the ceiling bar using (4) screws (0001140).



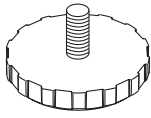
## 5. Run Cables Down Pole

Run the cables down from the roof through the pole, then through the opening of the rail end. Wire as normal.



## 6. Mount Cover

Mount the Cover around the power pole



Glide w/ 5/16-18 x 3/4"  
Long Stem  
(059325)

