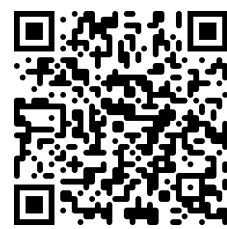
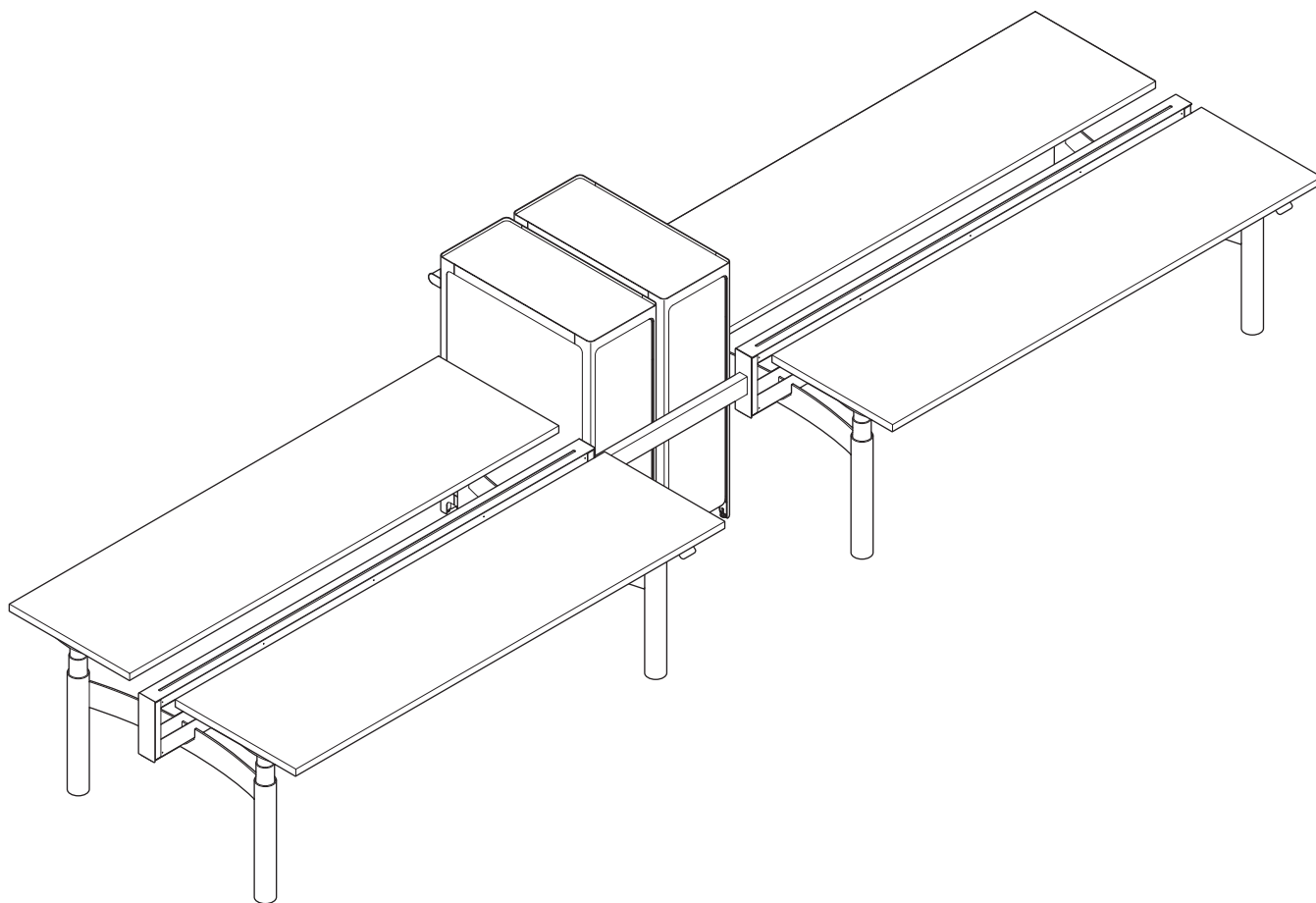


# ASSEMBLY

## Edison Workbench Extended Connector



View Digitally

# Important Safety Instructions

This product is for commercial use only.

Maximum intended load for each worksurface is 200 lbs (91 kg)

When using an electrical furnishing, basic precautions should always be followed, including the following: Read all instructions before using (this furnishing).

---

## DANGER

To reduce the risk of electric shock:

1. Always unplug this furnishing from the electrical outlet before cleaning.

---

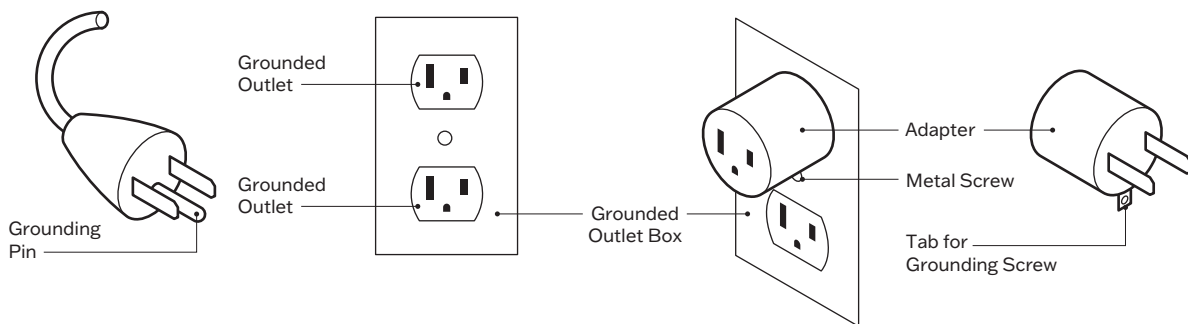
## WARNING

To reduce the risk of burns, fire, electric shock, or injury to persons:

1. Unplug from outlet before putting on or taking off parts.
2. Close supervision is necessary when this furnishing is used by, or near children, invalids, or disabled persons.
3. Use this furnishing only for its intended use as described in these instructions. Do not use attachments not recommended by the manufacturer.
4. Never operate this furnishing if it has a damaged cord or plug, if it is not working properly, if it has been dropped or damaged, or dropped into water. Return the furnishing to a service center for examination and repair.
5. Keep the cord away from heated surfaces.
6. Do not use outdoors.
7. Do not operate where aerosol (spray) products are being used or where oxygen is being administered.
8. To disconnect, turn all controls to the off position, then remove the plug from outlet.
9. Risk of Electric Shock – Connect this furnishing to a properly grounded outlet only. See Grounding Instructions (Fig. 1).

### Grounding Methods

(Fig. 1)



10. Mount furnishings at the correct height.
11. Risk of Fire or Electric Shock. It is possible for this office furnishing system to be connected to more than one source of supply. Disconnect all sources prior to any servicing. A single circuit shall not be powered by more than one source.

12. Electrical connection between rail segments shall be disconnected prior to removal of a mechanical connection.
13. The system may be supplied by a three phase power system with four individual circuits rated at 20 amps/120 volts maximum, or as permitted by local code.
14. No more than 12 duplex receptacles shall be supplied by one circuit. (12 segments Two Duplex, 6 segments Four
15. For commercial use only.

**NOTE** - Installation must be in accordance with the National Electrical Code and local codes. Electrically interconnected tables need to be mechanically connected.

---

## General Rail Assembly Notes

It is recommended to perform as much of the rail assembly upside-down, keeping in mind how many installers are available to flip the run right-side up once assembled.



If 1 - 2 installers: flip the first rail segment upside down and complete steps 1 & 2. Then flip the rail right side up and continue with instructions, adding one segment at a time for step 3.



If 3+ installers: complete steps 1-4 with the rail flipped upside down. Once complete, flip right side up. The length of run will determine how many installers are needed to perform the flip.

---


## If Using Optional Utility Power -

1. The electrical desk plug must be plugged into the utility power when present.
  2. This product is for use on a nominal 120-volt circuit and has a grounding plug that looks like the plug illustrated in sketch A (see Figure 77.1). Make sure that the product is connected to an outlet having the same configuration as the plug. No adapter should be used with this product.
- 

## Save These Instructions

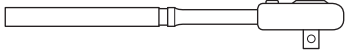
**OPERATING INSTRUCTIONS** - Please refer to the provided Installation Instructions and User Guide.

**POLARIZED PLUG INSTRUCTIONS** - To reduce the risk of electric shock, this furnishing has a polarized plug (one blade is wider than the other). This plug will fit in a polarized outlet only one way. If the plug does not fit fully in the outlet, reverse the plug. If it still does not fit, contact a qualified electrician to install the proper outlet. Do not change the plug in any way.

**SERVICING OF DOUBLE-INSULATED PRODUCTS** - In a double-insulated product, two systems of insulation are provided instead of grounding. No grounding means is provided on a double-insulated product, nor is a means for grounding to be added to the product. Servicing a double-insulated product requires extreme care and knowledge of the system, and is to be done only by qualified service personnel. Replacement parts for a double-insulated product must be identical to the parts they replace. A double-insulated product is marked with the words "DOUBLE INSULATION", "DOUBLE INSULATED", or .

This product is for use on a nominal 120-V circuit. Make sure that the product is connected to an outlet having the same configuration as the plug. No adapter should be used with this product.

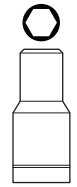
## Tools



Socket Wrench



Socket Extension



6mm Socket

---

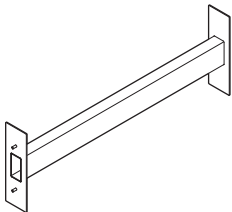
## Hardware



M6 Nut (490611)

---

## Essential Components

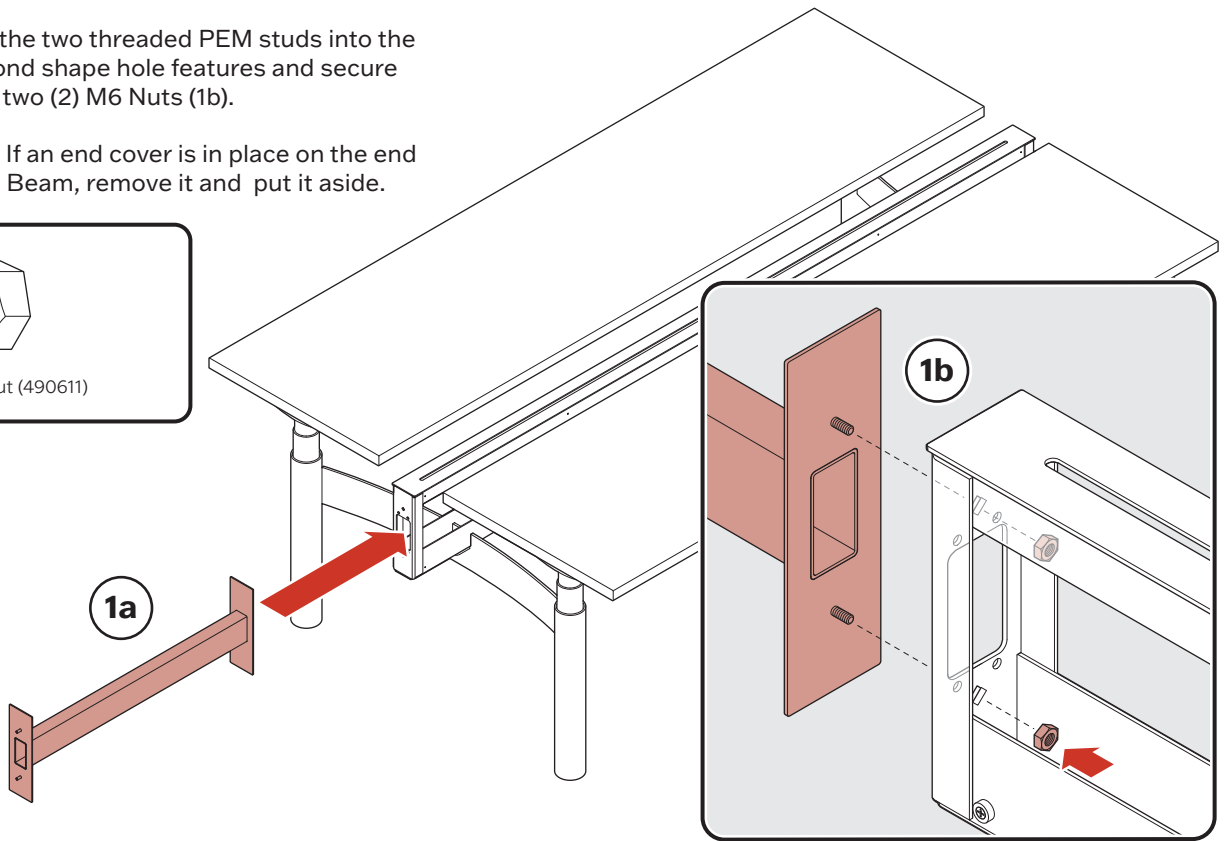
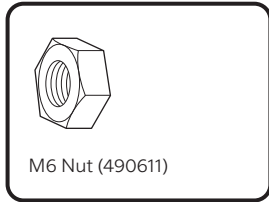


Extended Connector

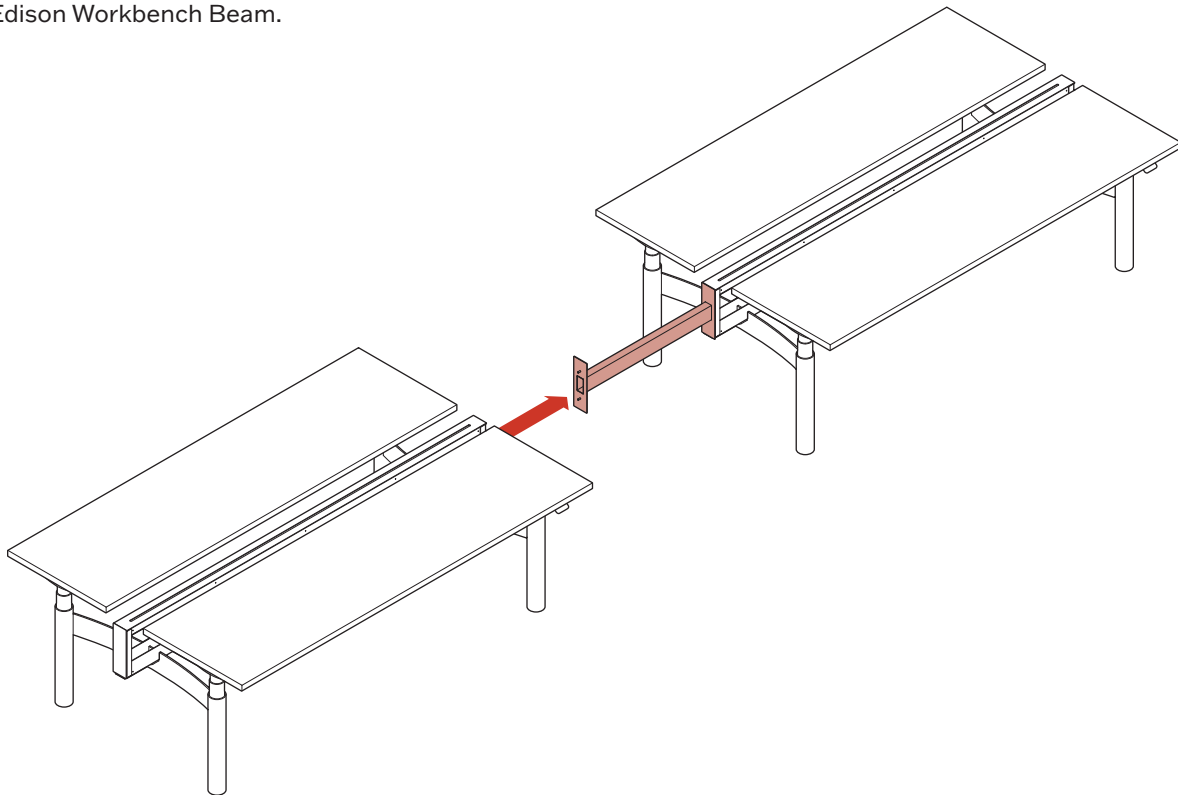
- 1. Align Extended Connector**  
Align one end of the Extended Connector to the end of the Edison Workbench Beam (1a).

Slide the two threaded PEM studs into the diamond shape hole features and secure using two (2) M6 Nuts (1b).

**Note:** If an end cover is in place on the end of the Beam, remove it and put it aside.



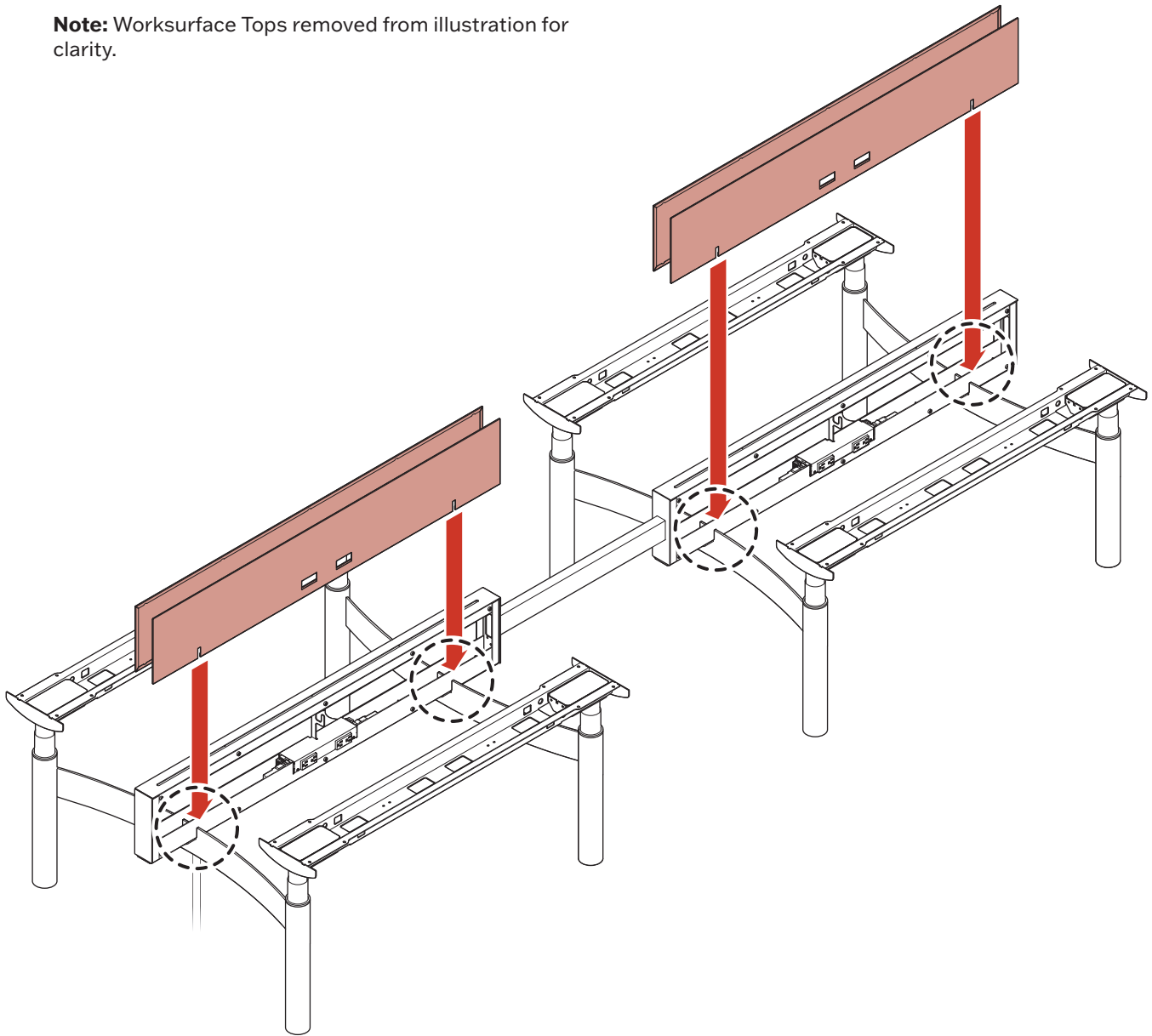
- 2. Join Workbeams**  
Repeat Steps 1a and 1b to connect adjoining Edison Workbench Beam.



### 3. Replace Beam Side Panels

Replace Beam Side Panels by aligning clearance cuts with curved H-Leg bar and magnets on the Beam.

**Note:** Worksurface Tops removed from illustration for clarity.



#### 4. Position Storage units

Position Storage units in between Bench segments and against the Extended Connector. Be sure to leave approximately 2 inches of clearance between Edison Workbench tops and Storage Units to prevent pinch point injury.

